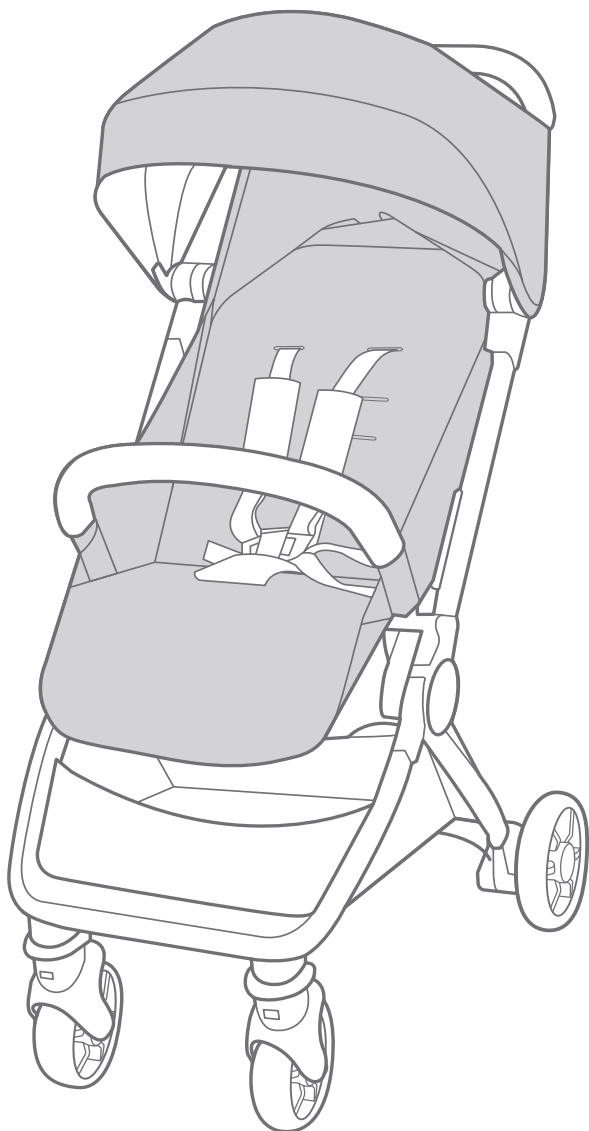


# Joie™

birth to 15kg/(birth - 36 months)

## Pact™ stroller

- GB Instruction Manual
- FR Manuel d'utilisateur
- DE Bedienungsanleitung
- ES Manual de instrucciones
- PT Manual de Instruções
- NL Handleiding
- PL Instrukcja obsługi
- RU Руководство по эксплуатации
- TR Kullanma Kılavuzu
- EL Εγχειρίδιο Οδηγιών
- DA Instruktions manual
- AR دليل التعليمات
- CZ Návod k obsluze
- SK Návod na použitie
- KR 사용 설명서
- CH 說明書
- ZH 说明书



**IMPORTANT - READ CAREFULLY AND  
KEEP FOR FUTURE REFERENCE**  
Stroller Assembly

FIGURE 1 ~ 6

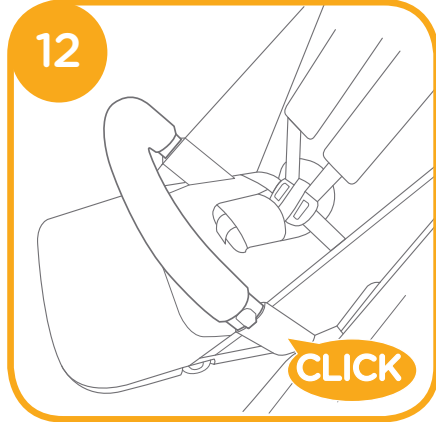
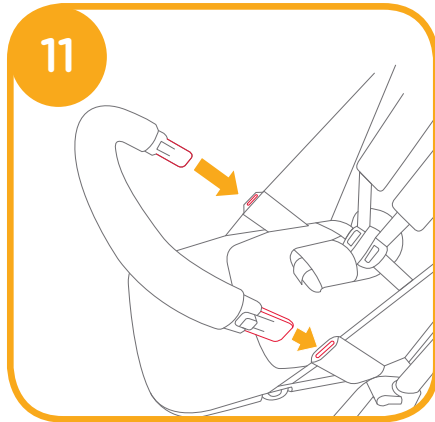
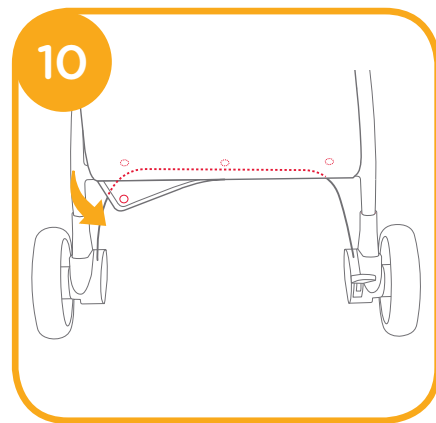
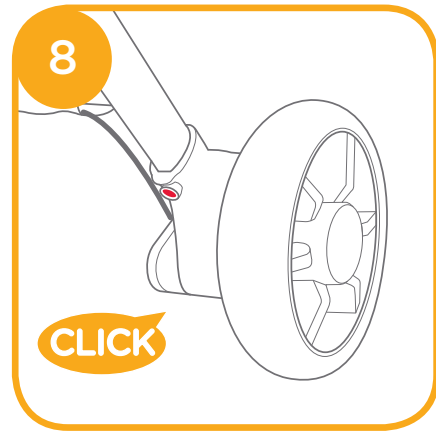
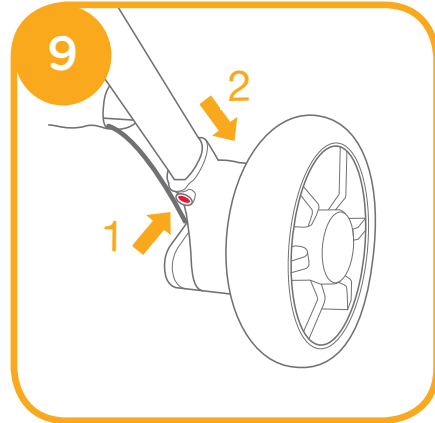
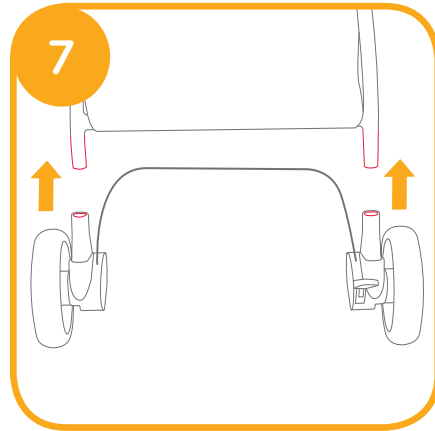
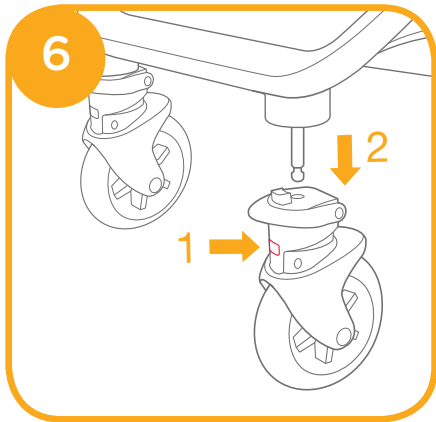
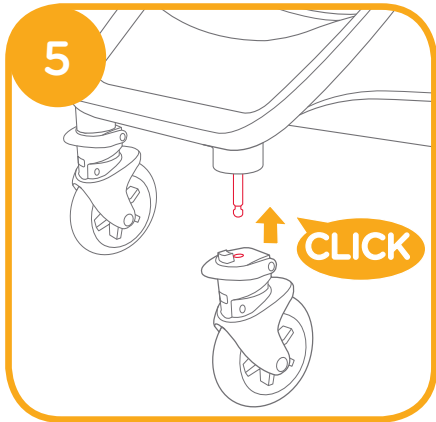
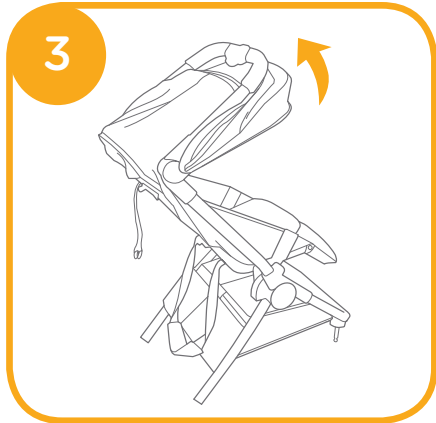
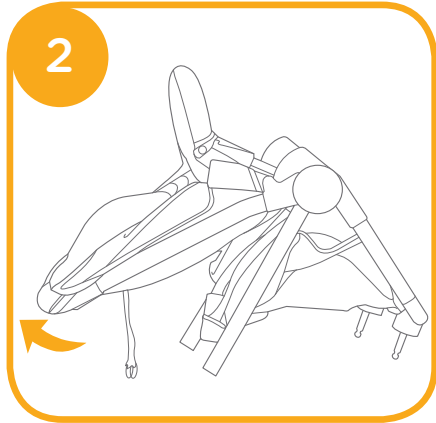
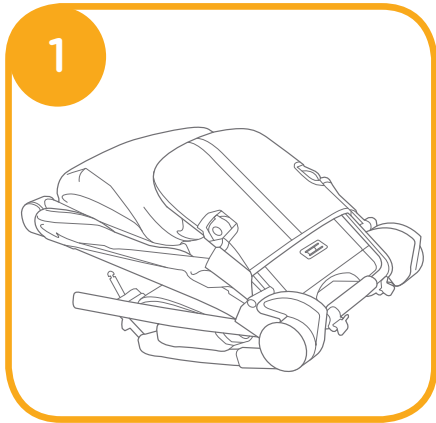
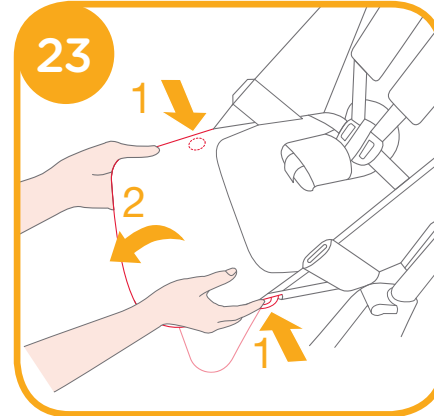
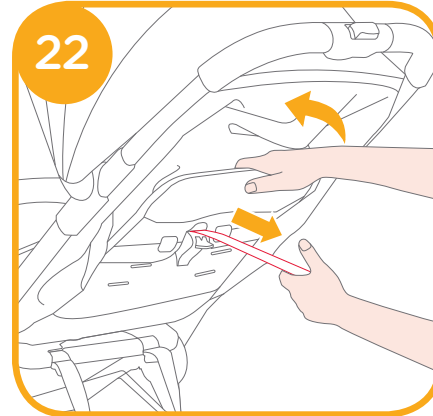
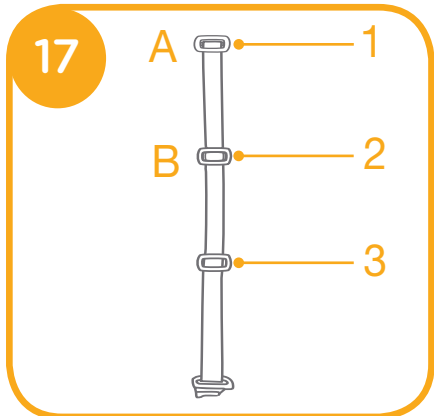
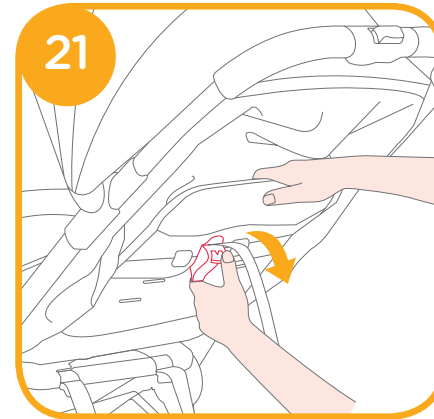
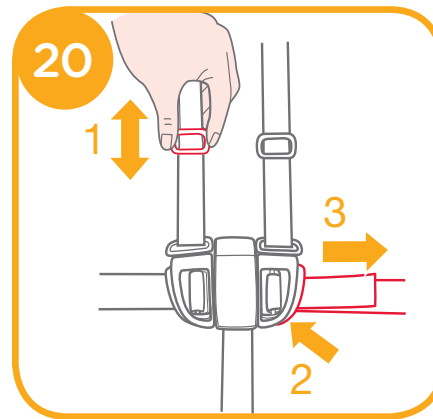
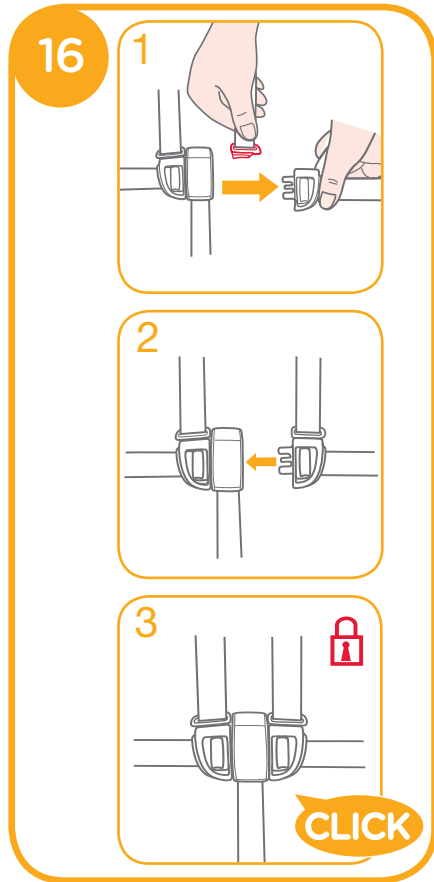
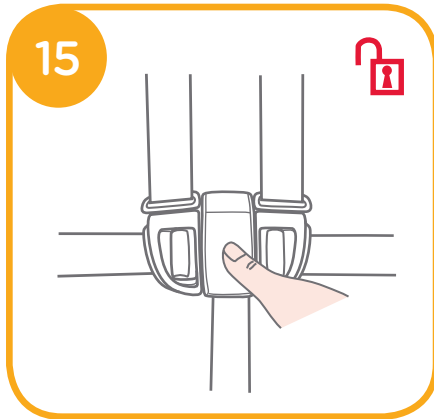
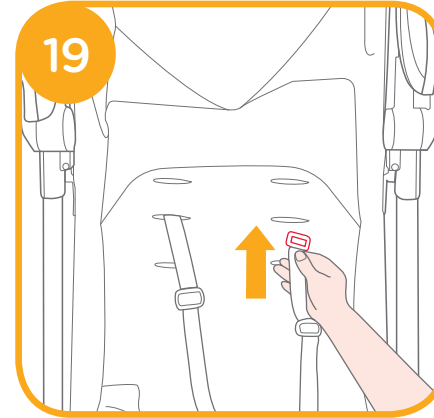
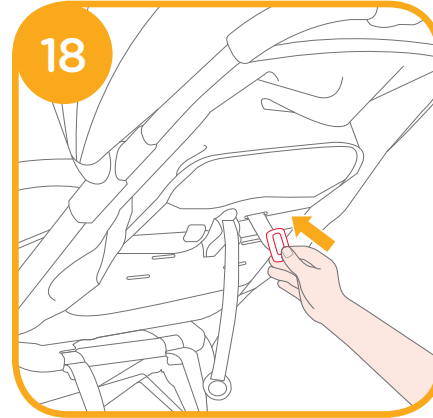
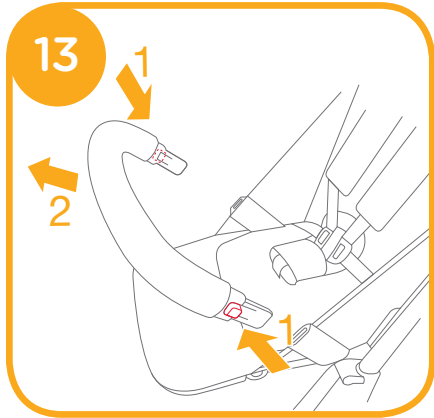
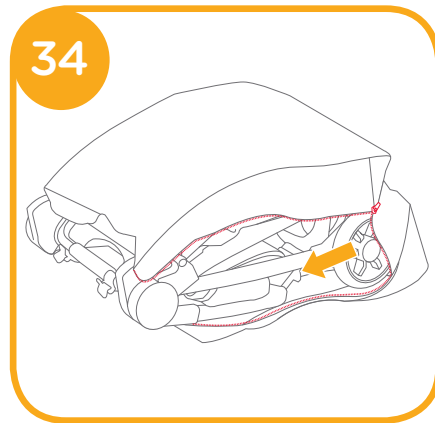
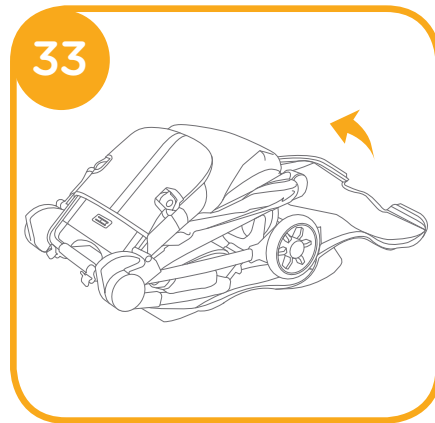
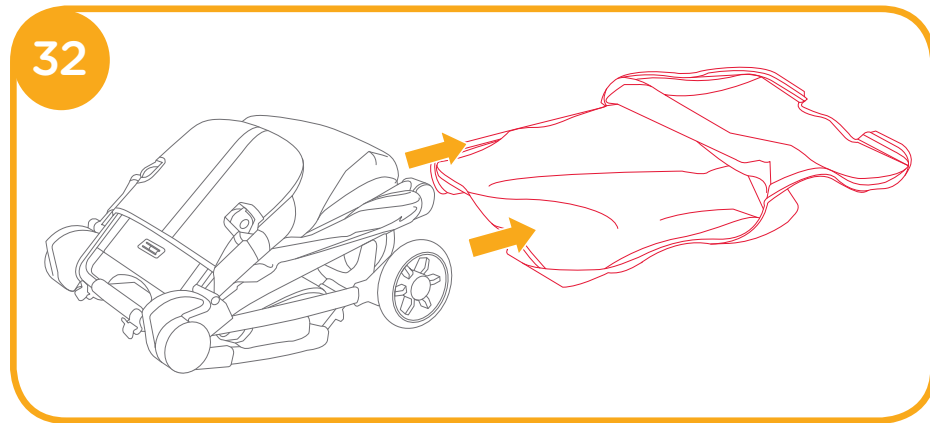
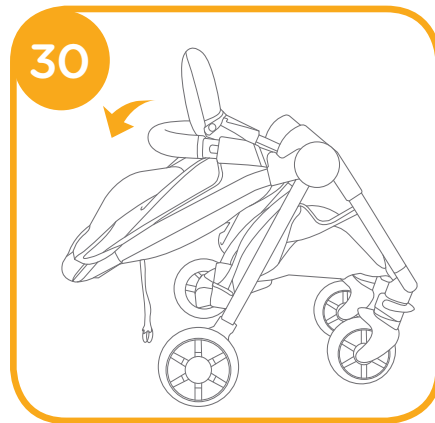
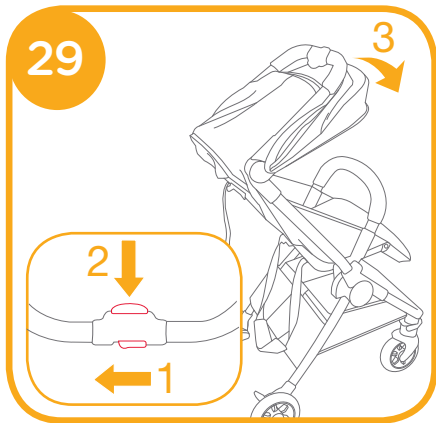
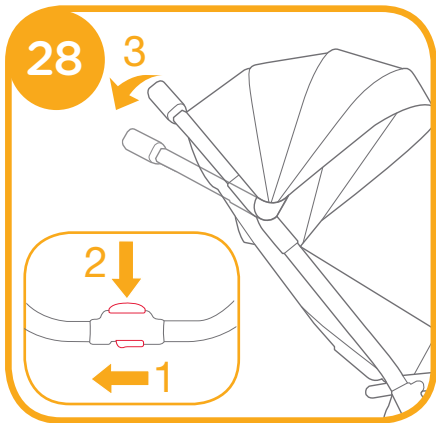
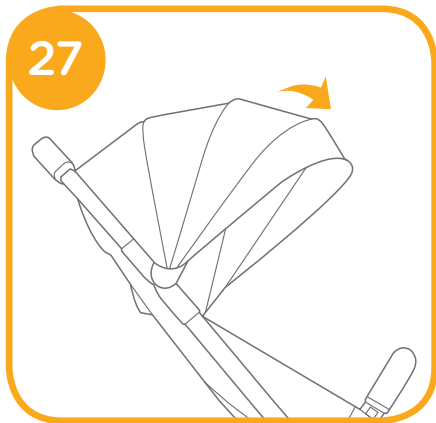
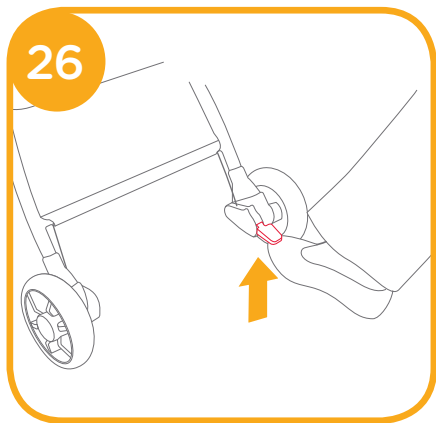
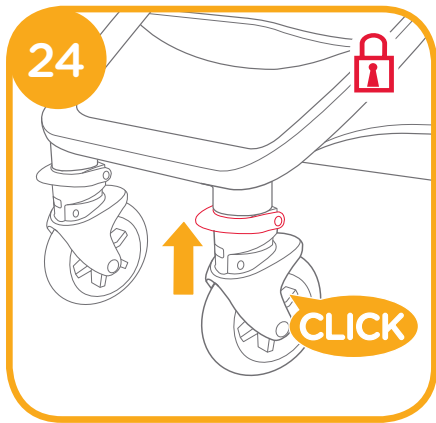
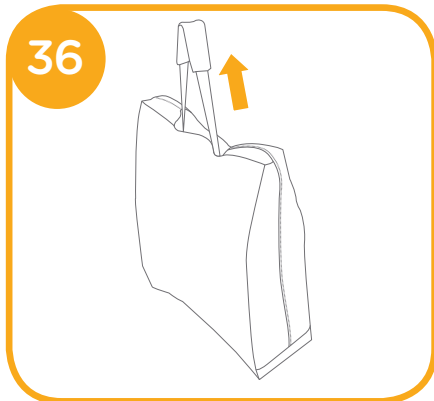
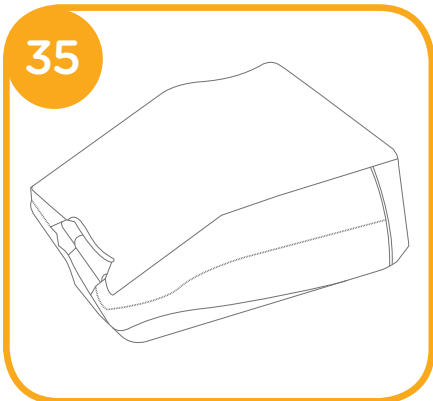


FIGURE 7 ~ 12

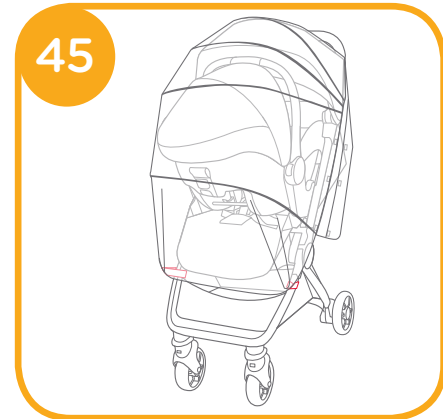
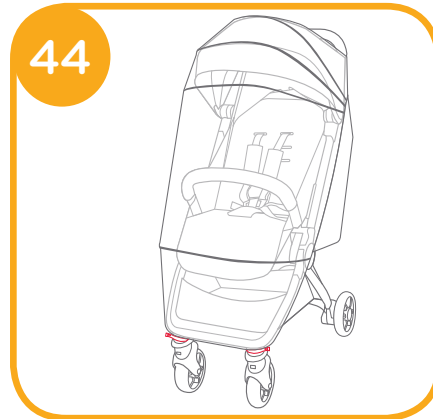
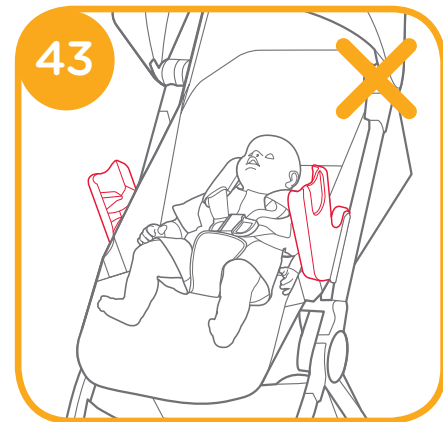
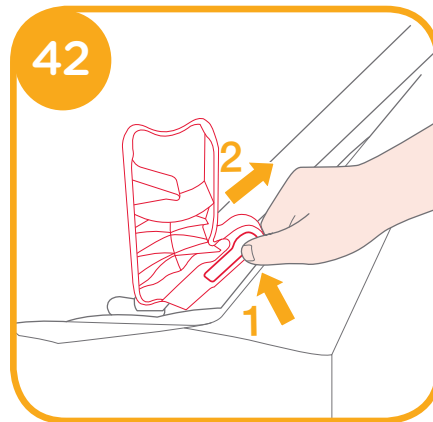
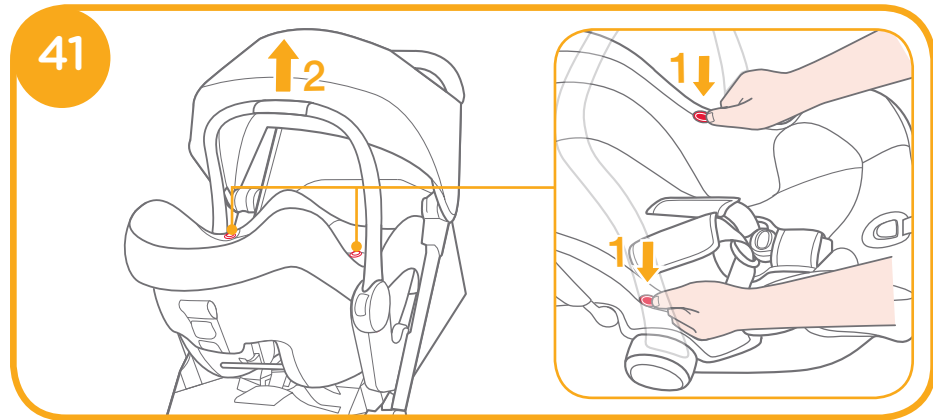
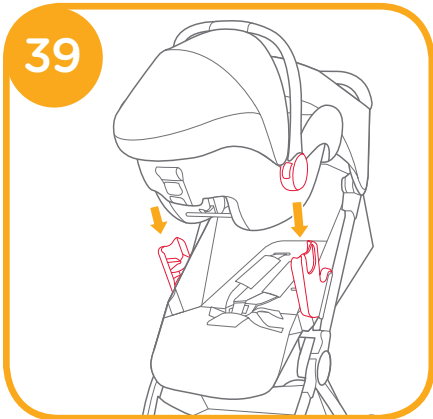
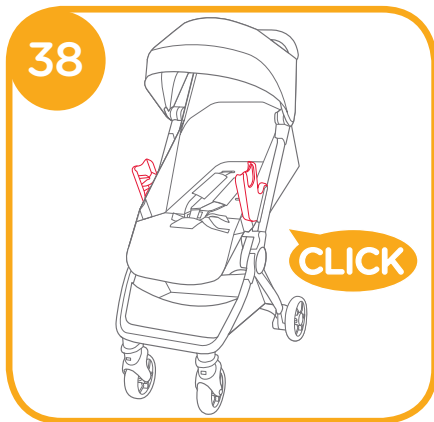




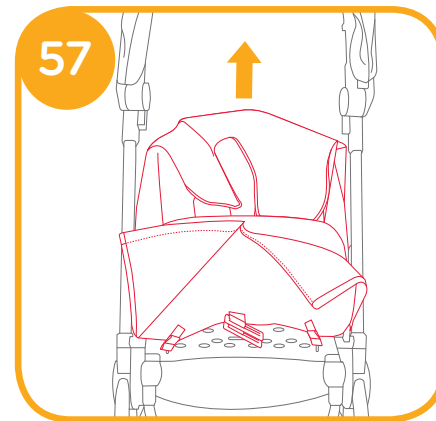
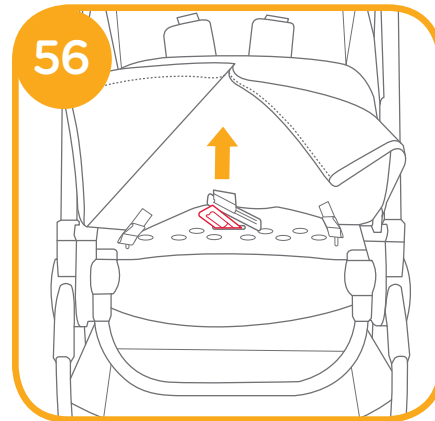
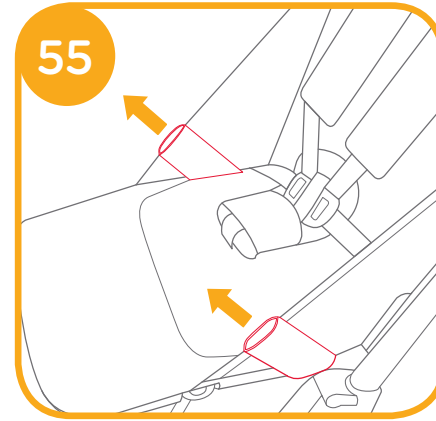
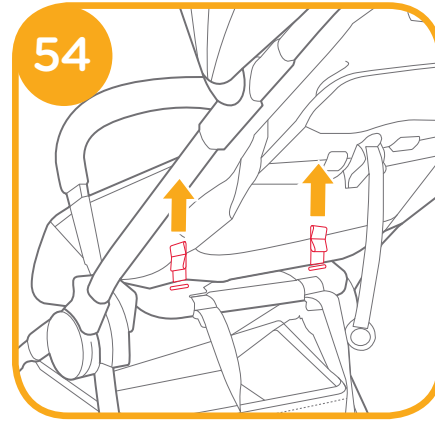
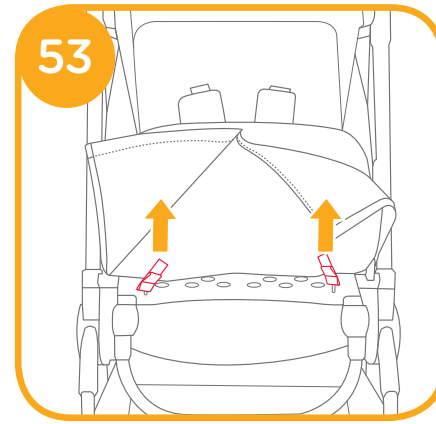
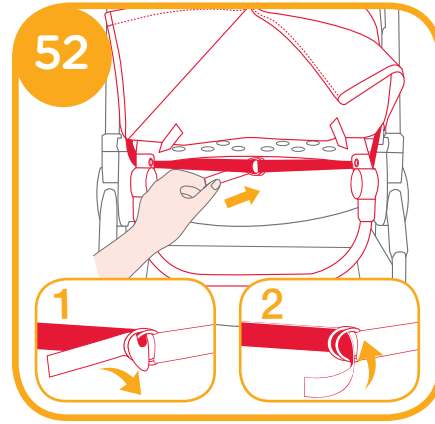
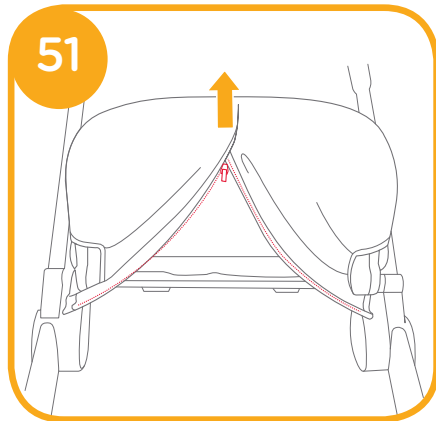
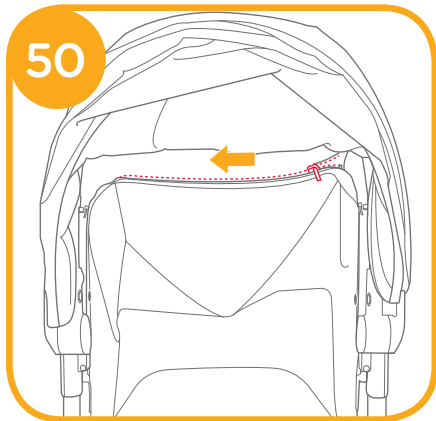
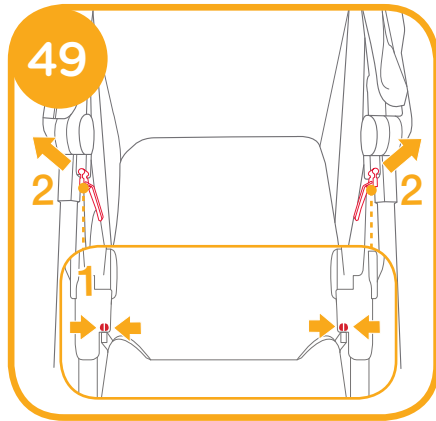
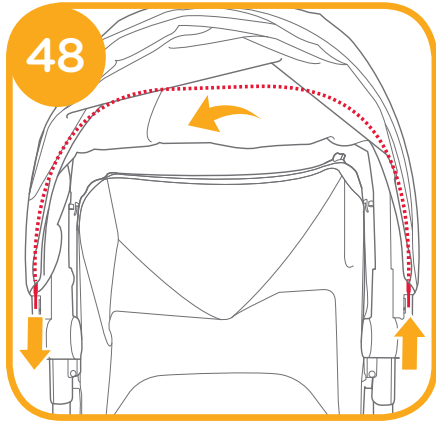
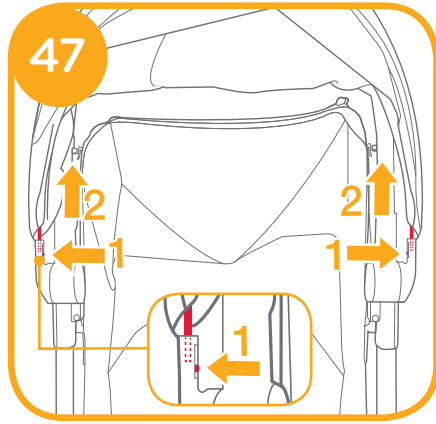
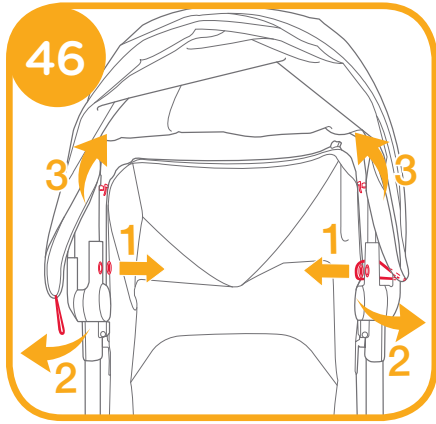


Accessories (May not be included in purchase)

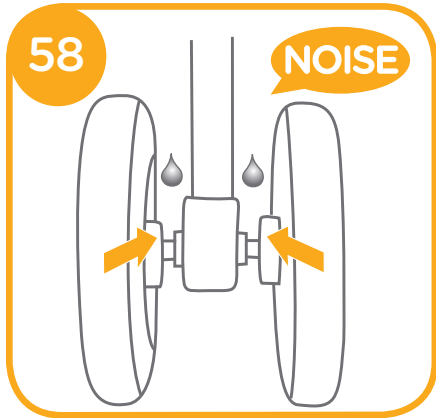
Accessories may be sold separately or may not be available depending on region.



### Detach Soft Goods



### Care and Maintenance



### NOTE

## GB Welcome to Joie™

Congratulations on becoming part of the Joie family! We are so excited to be part of your journey with your little one. While traveling with the Joie Pact™, you are using a high quality, fully certified stroller, approved to European safety standards EN 1888-1:2018. This product is suitable for use with children weighing under 15kg. Please carefully read this manual and follow each step to ensure a comfortable ride and best protection for your child.

Visit us at [joiebaby.com](http://joiebaby.com) to download manuals and see more exciting Joie products!

**IMPORTANT - READ CAREFULLY AND KEEP FOR FUTURE REFERENCE**

For warranty information, please visit our website at [joiebaby.com](http://joiebaby.com)

## Contents

Figures	1-11
WARNING	17
<b>Stroller Assembly</b>	<b>20</b>
Open Stroller	20
Assemble & Detach Front Wheel	20
Assemble & Detach Rear Wheel	20
Assemble & Detach Armbar	20
<b>Stroller Operation</b>	<b>21</b>

Use Buckle	21
Use Shoulder & Waist Harnesses	21
Adjust Backrest	22
Adjust Calf Support	22
Use Front Swivel Lock	23
Use Brake	23
Use Canopy	23
Use Shoulder Harness Cover and Crotch Harness Cover	23
Adjust Handle	23
Fold Stroller	24
<b>Use Accessories</b>	<b>24</b>
Use with Joie Child restraint	24
Use Rain Cover	25
Detach Soft Goods	25
Care and Maintenance	26

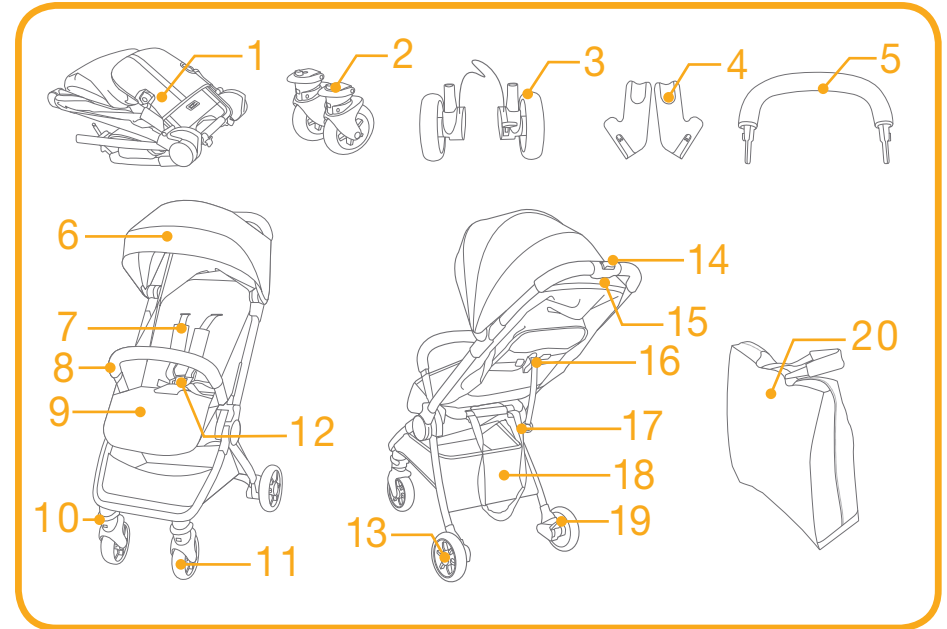
## Emergency

In case of emergency or accident, it is most important to have your child taken care of with first aid and medical treatment immediately.

## Product Information

Read all the instructions in this manual before using this product. If you have any further questions, please consult the retailer. Some features may vary depending on model.

Product	Pact Stroller
Suitable for	Child weighing under 15kg (birth - 36 months)
Materials	Plastics, metal, fabrics
Patent No.	Patents pending
Made in	China
Brand Name	Joie
Website	www.joiebaby.com
Manufacturer	Allison Baby UK Ltd



## Parts List

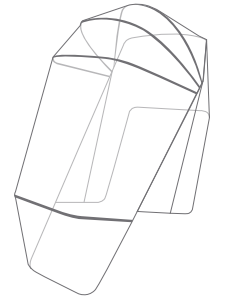
Make sure all parts are available before assembly. If any part is missing, please contact local retailer. No tools are required for assembly.

1 Stroller Frame	8 Armbar	15 One-Hand-Fold Handle
2 Front Wheel	9 Calf Support	16 Backrest Adjuster
3 Rear Wheel	10 Swivel Lock	17 Carry Strap
4 Adapter	11 Front Wheel	18 Storage Basket
5 Armbar	12 Buckle	19 Brake Lever
6 Canopy	13 Rear Wheel	20 Carry Bag
7 Shoulder Harness	14 Secondary Lock	

## Accessories

(May not be included)  
Rain Cover

Accessories may be sold separately or may not be available depending on region.



## WARNING

- ! WARNING Always use the restraint system. Safety belts and restraint systems must be used correctly.
- ! WARNING Ensure that all the locking devices are engaged before use.
- ! WARNING Do not let the child play with this product.
- ! WARNING Check that the car seat attachment devices are correctly engaged before use.
- ! Adult assembly required.
- ! Use the stroller with a child weighing less than 15kg. It will cause damage to the stroller with an unfitted child.
- ! To prevent a hazardous, unstable condition, do not place more than 4.5kg in the storage basket.
- ! WARNING Never leave the child unattended. Always keep child in view while in stroller.
- ! Use the stroller with only one child at a time. Never place purses, shopping bags, parcels or accessory items on the handle or canopy.
- ! Accessories which are not approved by the manufacturer shall not be used. Only replacement parts supplied or recommended by the manufacturer shall be used.
- ! Never use accessories, parts or components not produced or approved by the manufacturer. Please read the instruction manual carefully.
- ! Please read all the instructions in the manual before using the product. Please save instruction manual for future use. Failure to follow these warnings and instructions may result in serious injury or death.

- ! To avoid serious injury from falling or sliding out, always use seat belt.
- ! Make sure your child's body is clear from the moving parts when adjusting the stroller.
- ! Be sure the stroller is fully open or folded before allowing child near the stroller.
- ! Child may slip into leg openings and be strangled if the harness is not used.
- ! Never use stroller on stairs or escalators.
- ! Keep away from high temperature objects, liquids, and electronics.
- ! Never allow your child to stand on the stroller or sit in the stroller with head toward front of stroller.
- ! Never place the stroller on roads, slopes or dangerous areas.
- ! To avoid strangulation, DO NOT place items with a string around your child's neck, suspend strings from this product, or attach strings to toys.
- ! Any load attached to the handle and/or on the back of the backrest and/or on the sides of the stroller will affect the stability of the stroller.
- ! DO NOT lift stroller while child is in stroller.
- ! DO NOT use storage basket as a child carrier.
- ! To prevent tipping, never let child climb the stroller. Always lift the child in and out of the stroller.
- ! To avoid finger entrapment, use care when folding and unfolding the stroller.

- ! **WARNING** To avoid injury ensure that the child is kept away when unfolding and folding this product.
- ! To ensure your child's safety, please make sure all parts are assembled and fastened properly before using the stroller.
- ! To avoid strangulation, do make sure your child is clear from the canopy or rain cover.
- ! Always engage the brakes when parking the stroller.
- ! Discontinue using stroller if it is damaged or broken.
- ! Stroller to be used only at walking speed. This product is not intended for use while jogging.
- ! To avoid suffocation, remove plastic bag and packaging materials before using this product. The plastic bag and packaging materials should then be kept away from babies and children.
- ! This product is not suitable for running or skating.
- ! Pushchair designed to be used from birth shall recommend the use of the most reclined position for new born babies.
- ! The parking device shall be engaged when placing and removing children.
- ! For infant child restraints used in conjunction with a chassis, this vehicle does not replace a cot or a bed. Should your child need to sleep, then it should be placed in a suitable pram body, cot or bed.

## Stroller Assembly

(Please refer to figures on page 1-11)

Please read all the instructions in this manual before assembling and using this product.

### Open Stroller

see images ① - ④

- ! Check that the stroller is completely latched before continuing to use.

### Assemble & Detach Front Wheel

see images ⑤ - ⑥

### Assemble & Detach Rear Wheel

see images ⑦ - ⑩

- ! The rear wheels can be disassembled by pressing the snap buttons. ⑨
- ! Wrap the storage basket around frame and brake axle, and then snap into place. ⑩

### Assemble & Detach Armbar

see images ⑪ - ⑬

The completely assembled stroller is shown as ⑭

## Stroller Operation

### Use Buckle

see images 15 - 16

Release Buckle

Press the center button to release the buckle. 15

Lock Buckle

Match the waist belt buckle with the shoulder buckle 16 - 1, and click into the center buckle. 16 - 2 A “click” sound means the buckle is locked completely. 16 - 3

- ! To avoid serious injury from falling or sliding out, always secure your child with harness.
- ! Make sure your child is snugly secured. The space between the child and the shoulder harness is about the thickness of one hand.
- ! Do not cross the shoulder belts. This will cause pressure on a child’s neck.

### Use Shoulder & Waist Harnesses

see images 17 - 20

! In order to protect your child from falling out, after your child is placed into the seat, check whether the shoulder and waist harnesses are at proper height and length.

- 17 - 1 Shoulder harness anchor A
- 17 - 2 Shoulder harness anchor B
- 17 - 3 Slide adjuster

For larger child, use shoulder harness anchor A and the highest shoulder slots. For smaller child, use shoulder harness anchor B and the lowest shoulder slots.

To adjust the position of the shoulder harness anchor, turn the anchor to be level with the side facing forward. Thread it through the shoulder harness slot from back to front. 18 Rethread it through the slot that is closest to child's shoulder height. 19

Use slide adjuster to change the harness length. 20 - 1

Press the button 20 - 2, while pulling the waist harness to proper length. 20 - 3

### Adjust Backrest

see images 21 - 22

Recline Backrest

Pull the backrest backwards, while pressing the button in the center of the angle adjuster. 21

Raise Backrest

Push the backrest forwards, while pulling the webbing at the end of the angle adjuster. 22

! Make sure the recline is set properly for use.

### Adjust Calf Support

see images 23

The calf support has 2 positions.

Raise Calf Support

To raise the calf support, just push it upwards. A "click" sound means the calf is locked completely.

Lower Calf Support

Press the adjustment buttons on both sides of the calf support 23 - 1, and rotate the calf support downwards. 23 - 2

## Use Front Swivel Lock

see images 24

Push up the front swivel locks to maintain the moving direction. 24

**Tip** It is recommended to use swivel locks on uneven surfaces.

## Use Brake

see images 25 - 26

To lock wheels, step the brake lever downwards. 25

To release wheels, just lift the brake lever upwards. 26

**Tip** Always set the parking brake when stroller is not moving.

## Use Canopy

see images 27

The canopy can be opened or folded, pull it toward front or back. 27

## Use Shoulder Harness Cover and Crotch Harness Cover

The shoulder harness cover or crotch harness cover can be removed from the webbing. To assemble shoulder harness cover and crotch harness cover in reverse steps.

## Adjust Handle

see images 28

! Handle can be adjusted to 2 positions.

## Fold Stroller

see images 29 - 36

! Please fold the canopy before folding the stroller.

Push secondary lock 29 - 1 and squeeze one-hand-fold button 29 - 2. Push the stroller forward to fold.

! Grab the carry bag, the stroller will follow you. 36

## Use Accessories

Accessories may be sold separately or may not be available depending on region.

## Use with Joie Child restraint

see images 37 - 43

When using with Joie child restraint i-Level, i-Snug, gemm or i-Gemm, please refer to the following instructions.

! Please remove the armbar and keep it well before attaching child restraint.

! Adjust the backrest to the lowest position.

! If you have any problems about using the infant child restraint, please refer to their own instruction manuals.

! Please don't fold stroller when attaching the child restraint.

## Use Rain Cover

see images 44 - 45

To assemble the rain cover, place it over the stroller, and then attach the seaps and hook and loop fasteners on the rain cover.

- ! Before using the rain cover, please make sure the backrest has been adjusted to the lowest position and the infant child restraint has been fastened. 45
- ! Please use the different row of loop and hook fasteners on the rain cover while using the unit in the travel system mode and stroller alone.
- ! When using the rain cover, please always check its ventilation.
- ! When not in use, please check that the rain cover has been cleaned and dried before folding.
- ! Do not fold the stroller after assembling the rain cover.
- ! Do not place your child into the stroller assembled with rain cover during hot weather.

## Detach Soft Goods

see images 46 - 57

1. Follow steps 46 - 57 to detach soft goods.
  - ! Please keep the canopy wire well after removing it, and must assemble the canopy wire while assembling the canopy.
2. To re-attach the soft goods please repeat the above steps in the reverse step.

## Care and Maintenance

see images 58

- ! Removable seat pad may be washed in cold water and drip-dried. No bleach. Please refer to the care label for instructions on cleaning the fabric parts of the stroller.
- ! To clean stroller frame, use only household soap and warm water. No bleach or detergent. Periodically wipe clean plastic parts with a soft damp cloth. Always dry the metal parts to prevent the formation of rust if the stroller has come into contact with water.
- ! From time to time, check your stroller for loose screws, worn parts, torn material or stitching. Replace or repair the parts as needed.
- ! Excessive exposure to sun or heat could cause fading or warping of parts.
- ! If stroller becomes wet, open hood and allow to dry thoroughly before storing.
- ! If wheels squeak, use a light oil (e.g., Silicon Spray, antirust oil, or sewing machine oil). It is important to get the oil into the axle and wheel assembly. 58
- ! When using your stroller at the beach, completely clean your stroller after use to remove sand and salt from mechanisms and wheel assemblies.

# FR Joie™ vous souhaite la bienvenue

Nous vous félicitons d'avoir rejoint la famille Joie ! Nous sommes très heureux de pouvoir faire partie de votre voyage avec votre petit. Lorsque vous voyagez avec Joie Pact™, vous utilisez une poussette de haute qualité, pleinement certifiée et approuvée par les normes de sécurité européennes EN 1888-1:2018. Ce produit convient aux enfants de moins de 15 kg. Veuillez lire ce manuel et suivre chaque étape pour assurer le confort et la meilleure protection possible pour votre enfant.

## Important - A lire attentivement et conserver ces instructions pour consultation ultérieure.

Visitez notre site [joiebaby.com](http://joiebaby.com) pour télécharger des manuels et découvrir encore plus de superbes produits Joie !

Pour des informations sur la garantie, veuillez consulter notre site Web à l'adresse [joiebaby.com](http://joiebaby.com)

## Sommaire

Figures	1-11
AVERTISSEMENT	29
Assemblage de la poussette	31
Ouvrir la poussette	31
Assemblage et retrait des roues avant	31
Assemblage et retrait des roues arrière	31
Assemblage et retrait de la barre de retenue	31
Fonctionnement de la poussette	31
Utilisation de la boucle	31
Utiliser les harnais pour épaule et à la taille	32
Réglage du dossier	32
Ajustement du repose-mollets	32
Utiliser les verrous de pivot avant	32
Utiliser les freins	33
Utilisation du canopy	33
Utilisation de la housse du harnais pour épaules ou de la housse du harnais pour bassin	33
Ajustement de la poignée	33
Plier la poussette	33
Utiliser les accessoires	33
Utilisation avec le dispositif de retenue pour enfant Joie	33
Utilisation de la housse anti-pluie	34
Détacher les pièces souples	34
Entretien et maintenance	34

## Urgence

En cas d'urgence ou d'accident, il est très important de prendre immédiatement soin de votre enfant en lui prodiguant les soins de premiers secours puis en le faisant examiner par un médecin.

## Informations sur le produit

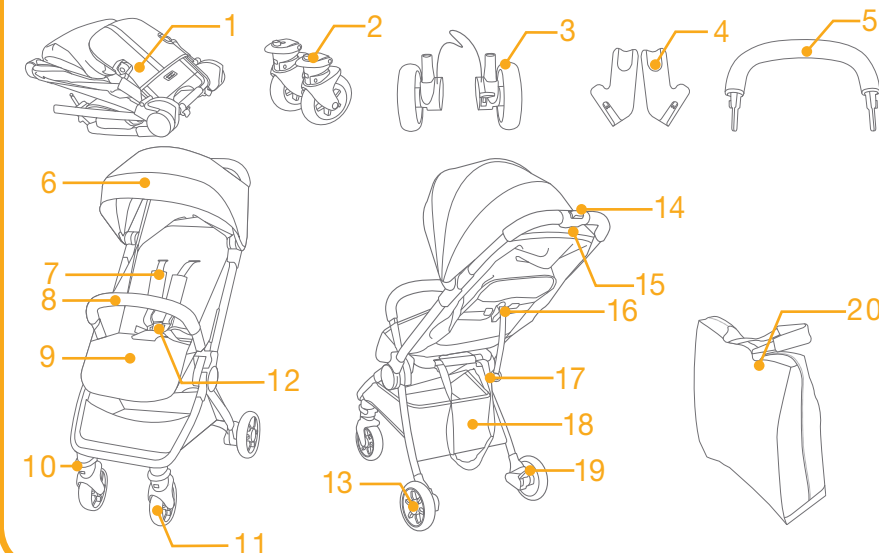
Lisez toutes les instructions de ce manuel avant d'utiliser ce produit. Pour toutes questions supplémentaires, veuillez consulter le revendeur. Certaines fonctionnalités peuvent ne pas être présentes sur certains modèles.

Produit	Poussette Pact
Convient aux enfants pesant moins de 15 kg (naissance à 36 mois)	
Matériaux :	plastiques, métaux, tissus
No. brevet	Brevets en attente
Fabriqué en	Chine
Nom de marque	Joie
Site Web	<a href="http://www.joiebaby.com">www.joiebaby.com</a>
Fabricant	Allison Baby UK Ltd

## Liste des pièces

Assurez-vous que toutes les pièces sont présentes avant le montage. Si une pièce est manquante, contactez votre revendeur local. Le montage ne nécessite aucun outil.

1 Cadre de poussette	7 Harnais d'épaules	12 Boucle	du dossier
2 Roue avant	8 Barre pour le bras	13 Roue arrière	17 Sangle de transport
3 Roue arrière	9 Repose-mollets	14 Verrou secondaire	18 Panier de rangement
4 Adaptateur	10 Verrouillage de pivotement	15 Poignée de pliage à une main	19 Levier de frein
5 Barre pour le bras	11 Roue avant	16 Dispositif de réglage	20 Sac de transport



## Accessoires

(peuvent ne pas être inclus)

Housse anti-pluie

Les accessoires peuvent être vendus séparément ou ne pas être disponibles selon la région.



# AVERTISSEMENT

- ! AVERTISSEMENT Toujours utiliser le système de retenue (harnais). Les ceintures de sécurité et le système de retenue doivent être utilisés correctement.
- ! AVERTISSEMENT S'assurer que tous les dispositifs de verrouillage sont enclenchés avant utilisation.
- ! AVERTISSEMENT Ne pas laisser un enfant jouer avec ce produit.
- ! AVERTISSEMENT Vérifier que les dispositifs de fixation de la nacelle, du siège ou du siège-auto sont correctement enclenchés avant utilisation.
- ! L'assemblage du produit doit être effectué par un adulte.
- ! Utilisation de la poussette avec un enfant pesant moins de 15 kg. Cela endommagera la poussette avec un enfant non installé.
- ! Pour éviter des situations dangereuses ou instables, ne placez pas plus de 4,5 kg dans le panier de rangement.
- ! Ne jamais laisser l'enfant sans surveillance. Ne perdez jamais de vue l'enfant quand il est dans la poussette.
- ! Utilisez la poussette avec un seul enfant à la fois. Ne mettez jamais les sacs à main, les sacs de courses, les paquets ou les accessoires sur la poignée ou le voilage.
- ! Les accessoires non homologués par le fabricant ne doivent pas être utilisés. Seules des pièces de rechange fournies ou conseillées par le fabricant doivent être utilisées.
- ! N'utilisez jamais les accessoires, pièces ou composants non produits ou approuvés par le fabricant. Lisez attentivement le manuel d'utilisation.
- ! Lisez toutes les consignes de ce manuel avant d'utiliser le produit. Conservez le guide d'utilisation pour toute référence future. Le non respect des avertissements ou des consignes peut entraîner des blessures graves, voir la mort.
- ! Utilisez toujours la ceinture de sécurité pour éviter que l'enfant ne se blesse en tombant ou en glissant du siège.
- ! Assurez-vous que le corps de votre enfant est exempt des pièces mobiles lors du réglage de la poussette.
- ! Ne pliez et n'ouvrez jamais la poussette à côté de votre enfant.
- ! L'enfant peut glisser par les ouvertures des jambes et être étranglé si le harnais n'est pas attaché.
- ! N'utilisez jamais la poussette dans des escaliers ou des escaliers mécaniques.
- ! Ne placez pas dans la poussette des objets chauds, des liquides ou des appareils électroniques.
- ! Ne laissez jamais votre enfant se tenir debout sur la poussette ou

s'asseoir avec la tête vers l'avant.

- ! Ne placez jamais la poussette sur la route, dans une pente ou à un endroit dangereux.
- ! Pour éviter tout étranglement, ne placez AUCUN objet avec une ficelle autour du cou de votre enfant, ne suspendez aucune ficelle à ce produit, et n'attachez aucune ficelle aux jouets.
- ! Les charges attachées à la poignée et/ou au dos du dossier et/ou sur les côtés de la poussette affectent la stabilité de la poussette.
- ! NE soulevez Pas la poussette quand l'enfant est dedans.
- ! N'utilisez pas le panier de rangement comme un porte-bébé.
- ! Pour empêcher tout basculement, ne laissez jamais l'enfant monter seul dans la poussette. Il faut toujours placer et sortir vous même l'enfant de la poussette.
- ! Pour éviter le coincement des doigts, faites attention lors du pliage et du dépliage de la poussette.
- ! Pour éviter toute blessure, maintenir l'enfant à l'écart lors du dépliage et du pliage du produit.
- ! Pour assurer la sécurité de votre enfant, assurez-vous que toutes les pièces sont assemblées et fixées correctement avant d'utiliser la poussette.
- ! Pour éviter un étranglement, assurez-vous que votre enfant est éloigné du canopy ou de la housse anti-pluie.
- ! Mettez toujours les freins lorsque vous stationnez la poussette.
- ! Il ne faut plus utiliser la poussette si elle est endommagée ou cassée.
- ! La poussette doit être poussée à la vitesse de marche. Ce produit n'est pas destiné à être utilisé en faisant du jogging.
- ! Pour éviter les risques d'étouffement, enlevez le sac plastique et les matériaux d'emballage avant d'utiliser ce produit. Le sac en plastique et les matériaux d'emballage doivent être conservés hors de la portée des bébés et des enfants.
- ! Ne pas utiliser ce produit en faisant du jogging ou des promenades en roller.
- ! Il est conseillé d'utiliser la poussette dans sa position la plus inclinée pour les nouveau-nés.
- ! Le dispositif de stationnement doit être enclenché lorsque vous placez ou retirez l'enfant de la poussette.
- ! Cette poussette ne remplace pas un berceau ni un lit même lorsque le dispositif de retenue pour bébé/enfant est utilisé. Si votre enfant a besoin de dormir, il doit être placé dans un landau, un berceau ou un lit approprié.

## Assemblage de la poussette

Lisez toutes les instructions du présent manuel avant d'assembler et d'utiliser ce produit.

### Ouverture de la poussette

voir images 1 - 4

! Vérifiez que la poussette est complètement verrouillée avant de poursuivre.

### Assemblage et retrait des roues avant

voir images 5 - 6

### Assemblage et retrait des roues arrière

voir images 7 - 10

! Les roues arrière peuvent être démontées en appuyant sur les boutons-pression. 9

! Enveloppez le panier de rangement autour du cadre et de l'axe de frein, puis enclenchez-le en place. 10

### Assemblage et retrait de la barre de retenue

voir images 11 - 13

La poussette complètement assemblée est illustrée sur l'image 14

## Utilisation de la poussette

### Utilisation de la boucle de ceinture

voir images 15 - 16

Déverrouillage de la boucle

Appuyez sur le bouton central pour déverrouiller la boucle. 15

Verrouillage de la boucle

Faites correspondre la boucle de la ceinture pour la taille avec la boucle d'épaules 16 - 1, puis enclenchez dans la boucle centrale. 16 - 2 Vous entendrez un « clic » signifiant que la boucle est complètement verrouillée. 16 - 3

! Utilisez toujours la ceinture de sécurité pour éviter que l'enfant ne se blesse en tombant ou en glissant du siège.

! Vérifiez que votre enfant est bien attaché. L'espace entre l'enfant et le harnais pour épaules doit faire environ l'épaisseur d'une main.

! Ne croisez pas les ceintures d'épaules. Autrement cela entraîne une pression sur le cou de l'enfant.

### Utilisation des harnais d'épaules et de taille

voir images 17 - 20

! Pour protéger votre enfant de tomber, vérifiez que les harnais d'épaules et de taille sont à la bonne hauteur et la bonne longueur une fois l'enfant placé dans le siège.

17 - 1 Ancrage du harnais d'épaules A

17 - 2 Ancrage du harnais d'épaules B

17 - 3 Curseur de réglage coulissant

Pour les enfants de grande taille, utilisez le point d'ancrage A du harnais d'épaules et les fentes les plus élevées au niveau des épaules. Pour les enfants de petite taille, utilisez le point d'ancrage B du harnais d'épaules et les fentes les plus élevées au niveau des épaules.

Pour régler la position du point d'ancrage du harnais d'épaules, retournez l'œillet face avant de manière à être au même niveau.

Le passer à travers la fente du harnais d'épaules, de l'arrière vers l'avant. 18 Le refaire passer à travers la fente la plus proche de la hauteur des épaules de l'enfant. 19

Utilisez le curseur de réglage coulissant pour ajuster la longueur du harnais. 20 - 1

Appuyez sur le bouton 20 - 2, tout en tirant sur le harnais à la taille jusqu'à la longueur souhaitée. 20 - 3

### Réglage du dossier

voir images 21 - 22

Inclinaison du dossier

Tirez le dossier en arrière, tout en appuyant sur le bouton au centre du dispositif de réglage de l'angle. 21

Relever le dossier

Poussez le dossier en avant, tout en tirant sur la sangle à l'extrémité du dispositif de réglage de l'angle. 22

! L'inclinaison doit être réglée correctement avant utilisation.

### Réglage du repose-mollets

voir images 23

Le repose-mollets comprend 2 positions.

Remonter le repose-mollets

Pour remonter le repose-mollets, poussez-le simplement vers le haut. Vous entendrez un « clic » signifiant que le repose-mollets est complètement verrouillé.

Abaisser le repose-mollets

Appuyez sur les boutons d'ajustement des deux côtés du repose-mollets 23 - 1, puis faites tourner le repose-mollets vers le bas. 23 - 2

### Utilisation des verrouillages de pivotement avant

voir images 24

Poussez vers le haut les verrouillages de pivotement avant pour figer le sens de déplacement. 24

**Astuce**

Il est recommandé d'utiliser les verrous de pivot sur les surfaces irrégulières.

## Utilisation du frein

voir images 25 - 26

Pour verrouiller les roues, abaissez le levier du frein. 25

Pour libérer les roues, soulevez le levier du frein. 26

**Astuce** Mettez toujours le frein lorsque la poussette est à l'arrêt.

## Utilisation de la voilure

voir images 27

Le canopy peut être ouvert ou plié, tirez-le vers l'avant ou l'arrière. 27

## Utilisation de la housse du harnais pour épaules ou de la housse du harnais pour bassin

La housse du harnais pour épaules ou la housse du harnais pour bassin peuvent être retirées de la toile. Pour assembler la housse du harnais pour épaules ou la housse du harnais pour bassin, procédez dans l'ordre inverse.

## Ajustement de la poignée

voir images 28

! La poignée peut être ajustée sur 2 positions.

## Pliage de la poussette

voir images 29 - 36

! Veuillez plier la voilure avant de plier la poussette.

Poussez le bouton de verrouillage secondaire 29 - 1 et serrez le bouton de pliage à une main 29 - 2. Poussez en avant la poussette pour la plier.

! Prenez le sac de transport, la poussette vous suivra. 36

## Utilisation des accessoires

Les accessoires peuvent être vendus séparément ou ne pas être disponibles selon la région.

### Utilisation avec le dispositif de retenue pour enfant Joie

voir images 37 - 43

Reportez-vous aux instructions suivantes pour l'utilisation du dispositif de retenue pour enfant i-Level, i-Snug, gemm, i-Gemm.

! Veuillez retirer la barre de retenue et bien la conserver avant de fixer le dispositif de retenue pour enfant.

! Réglez le dossier sur la position la plus basse.

! Si vous rencontrez des problèmes concernant l'utilisation du dispositif de retenue pour bébé/enfant, veuillez consulter son manuel d'utilisation.

! Veuillez ne pas plier la poussette lors de la fixation du dispositif de retenue pour enfant.

## Utilisation de la housse anti-pluie

voir images 44 - 45

Pour assembler la housse de pluie, placez-la sur la poussette, puis fixez les fixations velcro sur la housse de pluie.

! Avant d'utiliser la housse de pluie, veuillez vous assurer que le dossier a été réglé à la position la plus basse et que le dispositif de retenue pour bébé/enfant a été attaché. 45

! Veuillez utiliser la rangée différente de fixations velcro sur la housse de pluie lors de l'utilisation de l'unité en mode système de voyage et en poussette seule.

! Lorsque vous utilisez la housse anti-pluie, vérifiez toujours sa ventilation.

! Lorsque la housse anti-pluie n'est pas utilisée, il faut s'assurer qu'elle est propre et sèche avant de la ranger.

! Ne pliez pas la poussette lorsque la housse anti-pluie est installée.

! Ne placez pas votre enfant dans la poussette avec la housse anti-pluie installée par temps chaud.

## Détacher les parties souples

voir images 46 - 57

1. Suivez les étapes 46 - 57 pour détacher les parties souples.

! Veuillez bien conserver le câble du canopy après l'avoir retiré. Vous devez assembler le câble du canopy en assemblant le canopy.

2. Pour fixer à nouveau les parties souples, veuillez répéter les étapes ci-dessus dans l'ordre inverse.

## Entretien et maintenance

voir images 58

! Le coussin de siège amovible peut être lavé à l'eau froide et séché par égouttement. Il ne faut utiliser aucun agent de blanchiment. Veuillez consulter l'étiquette d'entretien pour des instructions sur le nettoyage des pièces en tissu de la poussette.

! Pour nettoyer le cadre de la poussette, utilisez uniquement du savon ménager avec de l'eau chaude. Il ne faut utiliser aucun agent de blanchiment ni détergent. Essayez de temps à autre les pièces en plastique avec un chiffon doux humide. Séchez toujours les pièces métalliques pour empêcher la formation de rouille si la poussette est entrée en contact avec de l'eau.

! Vérifiez régulièrement la présence de vis desserrées, de parties usées, de matériaux déchirés ou décousus sur la poussette. Remplacez ou réparez les pièces endommagées si nécessaire.

! L'exposition excessive au soleil ou à la chaleur peut décolorer ou déformer les pièces.

! Si la poussette est mouillée, ouvrez le pare-soleil et laissez-la sécher complètement avant de la ranger.

! Si les roues grincent, utilisez une huile légère (ex. lubrifiant siliconé, huile antirouille ou huile pour machine à coudre). Il est important que l'huile pénètre dans les moyeux des roues. 58

! Après utilisation de la poussette à la plage, nettoyez-la en enlevant complètement le sable et l'eau salée des mécanismes et des roues.

Wir begrüßen Sie als ein weiteres Mitglied der Joie-Familie! Wir freuen uns, Ihr kleines Kind auf Reisen zu begleiten. Beim Reisen mit dem Joie Pact™ nutzen Sie einen erstklassigen, umfassend zertifizierten Kinderwagen, der gemäß dem europäischen Sicherheitsstandard EN 1888-1:2018 zugelassen ist. Dieses Produkt eignet sich für Kinder mit einem Gewicht von unter 15 kg. Lesen Sie diese Anleitung sorgfältig durch und beachten Sie die einzelnen Schritte zur Gewährleistung einer komfortablen Fahrt und optimalen Sicherheit für Ihr Kind.

## WICHTIG-Bewahren Sie diese Anleitung für eine spätere Bezugnahme auf.

Besuchen Sie uns unter [joiebaby.com](http://joiebaby.com), um Anleitungen herunterzuladen und weitere aufregende Joie-Produkte anzuschauen!

Garantieinformationen finden Sie auf unserer Webseite unter [joiebaby.com](http://joiebaby.com)

## Inhalt

Abbildungen	1-11
WARNHINWEISE	37
Montage des Kinderwagens	39
Kinderwagen aufklappen	39
Vorderrad montieren und demontieren	39
Hinterrad montieren und demontieren	39
Armlehne montieren und demontieren	39
Bedienung des Kinderwagens	39
Schnalle verwenden	39
Schulter & Taillengurte anlegen	40
Rückenlehne anpassen	40
Wadenstütze anpassen	40
Vordere Lenksperre verwenden	40
Bremse verwenden	41
Verdeck verwenden	41
Abdeckungen für Schulter- und Schrittgurt verwenden	41
Griff einstellen	41
Kinderwagen zusammenklappen	41
Zubehör verwenden	41
Mit Joie-Kinderrückhaltevorrchtung verwenden	41
Regenschutz verwenden	42
Textilteile abnehmen	42
Pflege und Wartung	42

## Notfall

Bei einem Notfall oder Unfall muss Ihr Kind unverzüglich erste Hilfe bekommen und medizinisch versorgt werden.

## Produktdaten

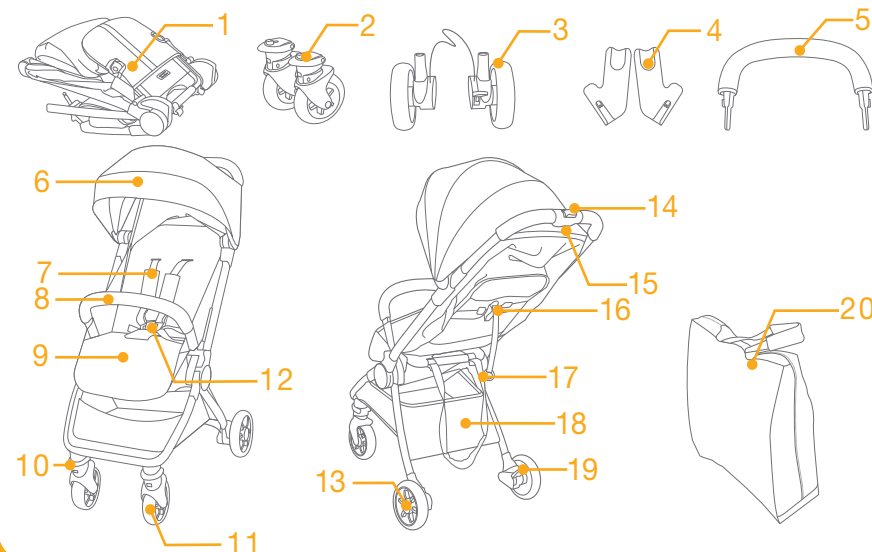
Lesen Sie alle Hinweise in dieser Anleitung, bevor Sie dieses Produkt einsetzen. Bei weiteren Fragen wenden Sie sich an Ihren Händler. Einige Bestandteile können je nach Modell variieren.

Produkt	Kinderwagen Pact
Geeignet für	Kinder mit einem Gewicht unter 15 kg (Geburt-36 Monate)
Materialien	Kunststoff, Metall, Stoff
Patentnr.	Patente angemeldet
Hergestellt in	China
Markenname	Joie
Webseite	<a href="http://www.joiebaby.com">www.joiebaby.com</a>
Hersteller	Allison Baby UK Ltd

## Teileliste

Stellen Sie vor der Montage sicher, dass alle Teile vorhanden sind. Falls etwas fehlen sollte, wenden Sie sich an Ihren Händler vor Ort. Für die Montage werden keine Werkzeuge benötigt.

1 Kinderwagengestell	7 Schultergurt	13 Hinterrad	Rückenlehne
2 Vorderrad	8 Armlehne	14 Sekundäre Sperre	17 Trageriemen
3 Hinterrad	9 Wadenstütze	15 Einhändig zusammenklappbarer Griff	18 Ablagekorb
4 Adapter	10 Lenksperre	16 Einsteller der	19 Bremshebel
5 Armlehne	11 Vorderrad		20 Tragetasche
6 Verdeck	12 Verschluss		



## Zubehör

(im Kauf eventuell nicht enthalten)

Regenschutz

Zubehör wird möglicherweise separat verkauft oder ist je nach Region nicht verfügbar.



# WARNHINWEISE

- ! WARNUNG Immer das Rückhaltesystem verwenden. Sicherheitsgurte und Rückhaltesystem müssen richtig verwendet werden.
- ! WARNUNG Stellen Sie vor der Benutzung sicher, dass alle Ver-  
schlussteile verriegelt sind.
- ! WARNUNG Lassen Sie Ihr Kind nicht mit diesem Produkt spielen.
- ! WARNUNG Stellen Sie vor der Benutzung sicher, dass die Haltevorrich-  
tungen des Kinderwagens oder Kinderrückhaltesystems richtig ver-  
riegelt sind.
- ! Das Produkt muss von einem Erwachsenen montiert werden.
- ! Verwenden Sie den Kinderwagen für ein Kind, das weniger als 15 kg  
wiegt. Der Kinderwagen wird beschädigt, wenn ein Kind nicht gut hin-  
einpasst.
- ! Um eine gefährliche Instabilität zu vermeiden, beladen Sie den  
Ablagekorb nicht mit mehr als 4,5 kg.
- ! Lassen Sie Ihr Kind niemals unbeaufsichtigt zurück. Behalten Sie ein  
Kind im Kinderwagen stets im Auge.
- ! Legen Sie immer nur jeweils ein Kind in den Kinderwagen. Legen Sie  
niemals Geldbörsen, Einkaufstaschen, Pakete oder Zubehör auf den  
Griff oder das Verdeck.
- ! Nicht vom Hersteller zugelassenes Zubehör sollte nicht verwendet  
werden. Verwenden Sie nur vom Hersteller gelieferte oder empfohlene  
Ersatzteile.
- ! Verwenden Sie niemals Zubehör, Teile oder Komponenten, die nicht  
vom Hersteller hergestellt oder zugelassen wurden. Lesen Sie diese  
Anleitung sorgfältig durch.
- ! Lesen Sie alle Hinweise in dieser Anleitung, bevor Sie das Produkt  
verwenden. Bewahren Sie die Anleitung zum späteren Nachschlagen  
auf. Nichtbeachtung dieser Warnhinweise und Anweisungen könnte zu  
schweren oder tödlichen Verletzungen führen.
- ! Verwenden Sie stets den Sicherheitsgurt, um Verletzungen durch Her-  
ausfallen oder Herausrutschen zu vermeiden.
- ! Achten Sie bei Einstellungen am Kinderwagen darauf, dass der Körper  
Ihres Kindes nicht mit den beweglichen Teilen in Kontakt kommt.
- ! Vergewissern Sie sich, dass der Kinderwagen komplett auf- oder  
zusammengeklappt ist, bevor Sie Ihr Kind in die Nähe des Kinderwa-  
gens lassen.
- ! Das Kind könnte in die Beinöffnungen rutschen und ersticken, wenn der  
Gurt nicht angelegt ist.
- ! Transportieren Sie den Kinderwagen niemals über Treppenstufen oder  
Rolltreppen.

- ! Halten Sie den Kinderwagen von heißen/Hitze erzeugenden Gegen-  
ständen, Flüssigkeiten und Elektrogeräten fern.
- ! Lassen Sie Ihr Kind niemals im Kinderwagen stehen oder mit dem Kopf  
zur Vorderseite des Kinderwagens gerichtet sitzen.
- ! Stellen Sie den Kinderwagen niemals auf Straßen, an Hanglagen oder  
in Gefahrenbereichen ab.
- ! Platzieren Sie KEINE Gegenstände mit einem Band oder Faden um den  
Hals Ihres Kindes, hängen Sie KEINE Bänder oder Fäden an dieses  
Produkt und bringen Sie KEINE Bänder oder Fäden an Spielzeugen an,  
damit sich das Kind nicht strangulieren kann.
- ! Jegliche am Griff und/oder an der Rückseite der Rückenlehne und/  
oder an den Seiten des Kinderwagens angebrachte Last wirkt sich auf  
die Stabilität des Kinderwagens aus.
- ! Heben Sie den Kinderwagen NICHT an, wenn sich ein Kind darin befindet.
- ! Verwenden Sie den Ablagekorb NICHT als Kindersitz.
- ! Der Kinderwagen kann umkippen, wenn Ihr Kind darauf klettert. Heben  
Sie das Kind stets in den bzw. aus dem Kinderwagen.
- ! Seien Sie beim Auf- und Zusammenklappen des Kinderwagens vorsich-  
tig, damit Sie sich die Finger nicht einklemmen.
- ! Halten Sie Ihr Kind zur Vermeidung von Verletzungen in sicherem Ab-  
stand, während Sie dieses Produkt auf- und zusammenklappen.
- ! Zur Gewährleistung der Sicherheit für Ihr Kind achten Sie vor Verwend-  
ung des Kinderwagens darauf, dass alle Teile sachgemäß montiert und  
befestigt sind.
- ! Zur Vermeidung einer Strangulation müssen Verdeck und Regenab-  
deckung ausreichend weit vom Kind entfernt sein.
- ! Ziehen Sie stets die Bremsen an, wenn Sie den Kinderwagen abstellen.
- ! Verwenden Sie Ihren Kinderwagen nicht mehr, wenn er beschädigt  
oder kaputt ist.
- ! Der Kinderwagen sollte nur mit Schrittgeschwindigkeit geschoben  
werden. Er ist nicht für den Einsatz beim Joggen geeignet.
- ! Entfernen Sie zur Vermeidung von Erstickungsgefahr Kunststoffbeutel und  
Verpackungsmaterial vor Einsatz dieses Produktes. Halten Sie Kunststoff-  
beutel und Verpackungsmaterialien von Säuglingen und Kindern fern.
- ! Dieses Produkt eignet sich nicht zum Jogging oder Skating.
- ! Neugeborene sollten liegend transportiert werden; kippen Sie dazu die  
Rückenlehne in waagrechte Position.
- ! Nutzen Sie die Feststellbremse, wenn Sie das Kind hineinlegen oder  
herausnehmen.
- ! Auch wenn ein Kind in diesem Wagen gesichert durch Gurte liegen  
kann, ist er kein Ersatz für ein Bett. Falls Ihr Kind müde ist, sollten Sie  
es in einen geeigneten Kinderwagen, ein Gitter- bzw. Babybett legen.

## Kinderwagen montieren

Lesen Sie alle Hinweise in dieser Anleitung, bevor Sie dieses Produkt montieren und verwenden.

### Kinderwagen aufklappen

siehe Abbildungen 1 - 4

! Prüfen Sie vor der weiteren Benutzung, ob der Kinderwagen vollständig verriegelt ist.

### Vorderrad montieren und demontieren

siehe Abbildungen 5 - 6

### Hinterrad montieren und demontieren

siehe Abbildungen 7 - 10

! Die Hinterräder können durch Drücken auf die Einrasttasten abgenommen werden. 9

! Wickeln Sie den Ablagekorb um das Gestell und die Bremsachse, und befestigen Sie ihn durch Einrasten.

10

### Armlehne montieren und demontieren

siehe Abbildungen 11 - 13

Abbildung 14 zeigt den vollständig montierten Kinderwagen

## Kinderwagen bedienen

### Schnalle verwenden

siehe Abbildungen 15 - 16

Schnalle lösen

Drücken Sie auf den Knopf in der Mitte, um die Schnalle zu lösen. 15

Schnalle schließen

Richten Sie die Schnalle des Taillengurtes mit der Schulter Schnalle aus 16 - 1, und verriegeln Sie sie in der mittleren Schnalle. 16 - 2 Ein Klickgeräusch bedeutet, dass die Schnalle vollständig geschlossen ist. 16 - 3

! Um schwere Verletzungen aufgrund von Herausfallen oder Herausgleiten zu verhindern, legen Sie Ihrem Kind stets die Sicherheitsgurte an.

! Vergewissern Sie sich, dass Ihr Kind rutschfest gehalten wird. Der Abstand zwischen dem Kind und dem Schultergurt sollte etwa die Dicke einer Hand betragen.

! Legen Sie die Schultergurte nicht gekreuzt an. Andernfalls wird Druck auf den Hals des Kindes erzeugt.

## Schulter- und Taillengurte anlegen

siehe Abbildungen 17 - 20

! Nachdem Sie Ihr Kind in den Sitz gesetzt haben, prüfen Sie, ob die Schulter- und Taillengurte in der richtigen Höhe verlaufen und lang genug sind, um Ihr Kind vor dem Herausfallen zu schützen.

17 - 1 Schultergurtverankerung A

17 - 2 Schultergurtverankerung B

17 - 3 Gurtversteller

Verwenden Sie bei einem größeren Kind die Schultergurtverankerung A und die obersten Schulter Schlitz. Bei einem kleineren Kind müssen die Schultergurtverankerung B und die untersten Schulter Schlitz verwendet werden.

Zur Verstellung der Position der Schultergurtverankerung drehen Sie die Verankerung so, dass sie mit der nach vorne weisenden Seite auf einer Ebene liegt.

Führen Sie sie von hinten nach vorne durch den Schultergurtschlitz. 18 Führen Sie sie erneut durch den Schlitz, welcher der Schulterhöhe des Kindes am nächsten liegt. 19

Ändern Sie die Gurtlänge mit dem Schieberegler. 20 - 1

Drücken Sie auf den Knopf 20 - 2, während Sie den Taillengurt auf die richtige Länge ziehen. 20 - 3

## Rückenlehne anpassen

siehe Abbildungen 21 - 22

Rückenlehne zurückklappen

Ziehen Sie die Rückenlehne nach hinten, während Sie die Taste in der Mitte des Winkeleinstellers gedrückt halten. 21

Rückenlehne hochklappen

Drücken Sie die Rückenlehne nach vorne, während Sie am Gurtband am Ende des Winkeleinstellers ziehen. 22

! Achten Sie darauf, die Neigung zur Verwendung sachgemäß einzustellen.

## Wadenstütze einstellen

siehe Abbildungen 23

Es gibt zwei Positionen für die Wadenstütze.

Wadenstütze anheben

Drücken Sie die Wadenstütze zum Anheben einfach nach oben. Ein Klickgeräusch zeigt an, dass die Wadenstütze eingerastet ist.

Wadenstütze senken

Drücken Sie die Einstellknöpfe an beiden Seiten der Wadenstütze 23 - 1 und drehen Sie die Wadenstütze nach unten. 23 - 2

## Vordere Lenksperre verwenden

siehe Abbildungen 24

Drücken Sie die vorderen Lenksperren hoch, um die Bewegungsrichtung beizubehalten. 24

**Tipp**

Die Lenkstopp empfehlen sich auf unebenem Untergrund.

## Bremse verwenden

siehe Abbildungen 25 - 26

Zur Arretierung der Räder drücken Sie den Bremshebel mit dem Fuß nach unten. 25

Lösen Sie die Sperrung durch Ziehen des Bremshebels nach oben. 26

### Tipps

Ziehen Sie immer die Parkbremse an, wenn der Kinderwagen nicht geschoben wird.

## Verdeck verwenden

siehe Abbildungen 27

Das Verdeck kann durch Ziehen nach vorne oder hinten geöffnet oder zusammengeklappt werden. 27

## Abdeckungen für Schulter- und Schrittgurt verwenden

Die Abdeckung des Schulter- oder Schrittgurtes lässt sich vom Gurtband abnehmen. Befolgen Sie die Schritte zum Anbringen der Abdeckung des Schulter- oder Schrittgurtes in umgekehrter Reihenfolge.

## Griff anpassen

siehe Abbildungen 28

! Für den Griff gibt es 2 Einstellpositionen.

## Kinderwagen zusammenklappen

siehe Abbildungen 29 - 36

! Klappen Sie das Verdeck zusammen, bevor Sie den Kinderwagen zusammenklappen.

Drücken Sie auf die sekundäre Sperre 29 - 1 und drücken den Knopf für einhändiges Zusammenklappen 29 - 2. Drücken Sie den Kinderwagen nach vorne, um ihn zusammenzuklappen.

! Greifen Sie die Tragetasche, der Kinderwagen folgt Ihnen. 36

## Zubehör verwenden

Zubehör wird möglicherweise separat verkauft oder ist je nach Region nicht verfügbar.

## Mit Joie-Kinderrückhaltevorrichtung verwenden

siehe Abbildungen 37 - 43

Beachten Sie bei Verwendung mit der Joie-Kinderrückhaltevorrichtung i-Level, i-Snug, gemm, i-Gemm die folgenden Anweisungen.

! Entfernen Sie die Armlehne, bevor Sie das Kinderrückhaltesystem anbringen. Bewahren Sie die Armlehne an einem sicheren Ort auf.

! Passen Sie die Rückenlehne auf die niedrigste Position an.

! Falls Probleme bei der Verwendung des Kinderrückhaltesystems auftreten, beachten Sie bitte die zugehörige Bedienungsanleitung.

! Bitte klappen Sie den Kinderwagen nicht zusammen, wenn die Kinderrückhaltevorrichtung angebracht ist.

## Regenschutz verwenden

siehe Abbildungen 44 - 45

Zur Befestigung des Regenschutzes legen Sie ihn über den Kinderwagen und bringen dann die Klettverschlüsse am Regenschutz an.

! Stellen Sie vor Benutzung des Regenschutzes sicher, dass die Rückenlehne auf die niedrigste Position eingestellt und das Kinderrückhaltesystem befestigt wurde. 45

! Bitte verwenden Sie je nach Modus (Reisesystemmodus oder nur der Kinderwagen) verschiedene Klettverschlussreihen.

! Achten Sie bei Verwendung des Regenschutzes stets auf Belüftung.

! Wird der Regenschutz nicht mehr verwendet, achten Sie vor dem Zusammenfallen bitte darauf, dass er sauber und trocken ist.

! Klappen Sie den Kinderwagen nicht zusammen, wenn der Regenschutz angebracht ist.

! Setzen Sie Ihr Kind bei heißem Wetter nicht in den Kinderwagen, wenn der Regenschutz angebracht ist.

## Textilteile entfernen

siehe Abbildungen 46 - 57

1. Befolgen Sie zum Entfernen der Textilteile die Schritte 46 - 57 .

! Bitte bewahren Sie den Verdeckdraht nach dem Entfernen sicher auf. Bei Anbringung des Verdecks muss auch der Verdeckdraht befestigt werden.

2. Bringen Sie die Textilteile wieder an, indem Sie die obigen Schritte in umgekehrter Reihenfolge befolgen.

## Pflege und Wartung

siehe Abbildungen 58

! Das abnehmbare Sitzpolster kann in kaltem Wasser gewaschen und zum Trocknen aufgehängt werden. Nicht bleichen. Bitte beachten Sie zur Reinigung der Textilteile des Kinderwagens die Anweisungen am Pflegeetikett.

! Reinigen Sie das Kinderwagengestell nur mit handelsüblicher Seife und warmem Wasser. Nicht bleichen oder mit Reinigungsmitteln behandeln. Wischen Sie die Kunststoffteile regelmäßig mit einem weichen, angefeuchteten Tuch ab. Trocknen Sie die Metallteile bei Kontakt mit Wasser immer ab, damit sich kein Rost bildet.

! Untersuchen Sie Ihren Kinderwagen gelegentlich auf lockere Schrauben, abgenutzte Teile, verschlissene Materialien oder aufgerissene Nähte. Ersetzen oder reparieren Sie die Teile bei Bedarf.

! Bei übermäßiger Sonnenbestrahlung oder Hitzeeinwirkung können Teile verblassen oder sich verformen.

! Ist der Kinderwagen nass geworden, öffnen Sie das Verdeck und lassen Sie ihn komplett trocken werden, bevor Sie ihn verstauen.

! Bei quietschenden Rädern tragen Sie ein leichtes Öl auf (z. B. Silikonspray, Rostschutzöl oder Nähmaschinenöl). Dabei ist wichtig, dass das Öl in die Achse und die Räderpartie gelangt. 58

! Wenn Sie mit Ihrem Kinderwagen am Strand spazieren, müssen Sie ihn hiernach komplett reinigen, um Sand und Salz aus der Mechanik und den Radverbindungen zu entfernen.

¡Enhorabuena por unirse a la familia Joie! Estamos encantados de formar parte de su viaje y del de su pequeño. Cuando pasee con el cochecito Pact™ de Joie, estará utilizando un cochecito de alta calidad, totalmente certificado y aprobado por la norma de seguridad europea EN 1888-1:2018. Este producto está diseñado para que lo utilicen niños con un peso inferior a 15 kg. Lea detenidamente este manual y siga cada paso para garantizar que su bebé viaje cómodamente y esté protegido de la mejor manera posible.

**IMPORTANTE: guarde estas instrucciones para futuras consultas.**

¡Visítenos en [joiebaby.com](http://joiebaby.com) para descargar manuales y conocer otros fantásticos productos de Joie!

Para obtener información sobre la garantía, visite nuestro sitio web en [joiebaby.com](http://joiebaby.com).

## Índice

Figuras	1-11
ADVERTENCIAS	45
Montaje del cochecito	47
Abrir el cochecito	47
Montaje y desmontaje de la rueda delantera	47
Montaje y desmontaje de la rueda trasera	47
Montaje y desmontaje del reposabrazos	47
Funcionamiento del cochecito	47
Uso de la hebilla	47
Uso de los arneses de los hombros y la cintura	48
Ajuste del respaldo	48
Ajuste del soporte para los gemelos	48
Uso del bloqueo de las ruedas giratorias delanteras	48
Uso del freno	49
Uso de la capota	49
Uso del protector del arnés para los hombros y del arnés de la pelvis	49
Ajuste del asa	49
Plegado del cochecito	49
Uso de los accesorios	49
Uso con el dispositivo de sujeción para niños Joie	49
Uso de la capota impermeable	50
Desmontar el acolchado	50
Cuidados y mantenimiento	50

## Emergencia

En caso de emergencia o accidente, es muy importante que su bebé reciba primeros auxilios y tratamiento médico de inmediato.

## Información del producto

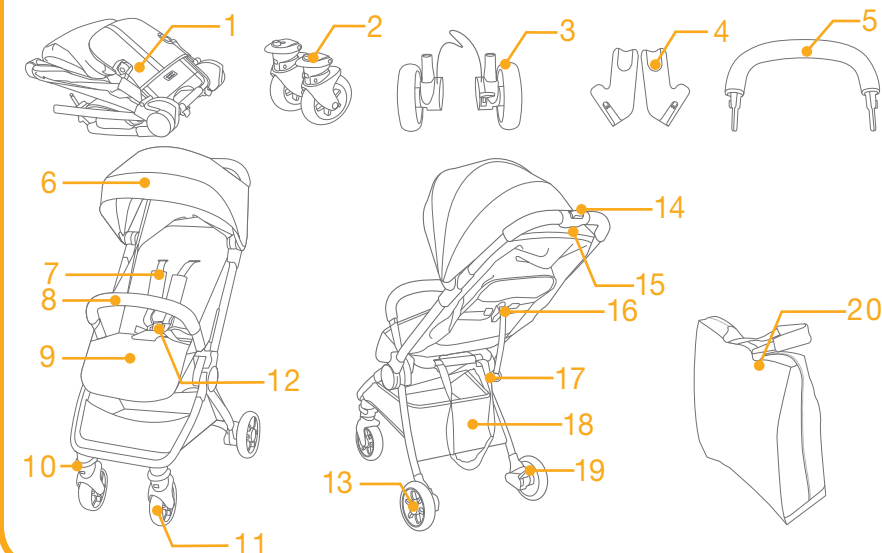
Lea todas las instrucciones incluidas en este manual antes de utilizar este producto. Si tiene alguna duda, póngase en contacto con su proveedor. Algunas características pueden variar según el modelo.

Producto	Cochecito Pact
Apto para	Bebés con un peso inferior a 15kg (de 0 a 36 meses)
Materiales	Plástico, metal, tela
N.º de patente	Pendiente de patente
Fabricado en	China
Nombre de la marca	Joie
Sitio web	<a href="http://www.joiebaby.com">www.joiebaby.com</a>
Fabricante	Allison Baby UK Ltd

## Lista de piezas

Asegúrese de que están disponibles todas las piezas antes de montar el producto. Si falta alguna pieza, póngase en contacto con su proveedor local. No se necesita ninguna herramienta para el montaje.

1 Manillar del cochecito	7 Arnés de los hombros	11 Rueda delantera	16 Ajustador del respaldo
2 Rueda delantera	8 Reposabrazos	12 Hebilla	17 Correa del capazo
3 Rueda trasera	9 Soporte para los gemelos	13 Rueda trasera	18 Cesta de almacenamiento
4 Adaptador	10 Bloqueo de las ruedas giratorias	14 Bloqueo secundario	19 Palanca del freno
5 Reposabrazos		15 Asa de plegue con una sola mano	20 Bolsa de viaje



## Accesorios

(es posible que no estén incluidos)

Capota impermeable



Es posible que los accesorios se vendan por separado o no estén disponibles, dependiendo de la región.

# ADVERTENCIA

- ! ADVERTENCIA: Utilice siempre el sistema de sujeción. Los cinturones de seguridad y los sistemas de sujeción se deben utilizar correctamente.
- ! ADVERTENCIA: Asegúrese de que todos los dispositivos de bloqueo están fijados correctamente antes de utilizar el producto.
- ! ADVERTENCIA: No deje que su hijo juegue con este producto.
- ! ADVERTENCIA: Asegúrese de que las fijaciones del dispositivo de sujeción para niños o el capazo estén bien sujetas antes de utilizar el producto.
- ! El montaje solo podrá ser realizado por personas adultas.
- ! Este cochecito está diseñado para niños con un peso inferior a 15 kg. Con niños de más peso el cochecito puede romperse.
- ! Para evitar riesgos y la inestabilidad del producto, no deberá colocar objetos que sumen en total un peso superior a 4,5 kg en la cesta de almacenamiento.
- ! Nunca deje al bebé desatendido. Vigílelo en todo momento mientras esté montado en el cochecito.
- ! No utilice el cochecito para transportar a más de un niño a la vez. Nunca coloque bolsos, bolsas de la compra, paquetes ni ningún otro objeto en el manillar ni en la capota.
- ! No utilice accesorios que no estén aprobados por el fabricante. Utilice únicamente las piezas de recambio proporcionadas o recomendadas por el fabricante.
- ! Nunca utilice accesorios, piezas o componentes no fabricados o aprobados por el fabricante. Lea el manual de instrucciones detenidamente.
- ! Lea todas las instrucciones incluidas en el manual antes de utilizar el producto. Guarde este manual de instrucciones para futuras consultas. Si no sigue estas advertencias e instrucciones, podrían producirse graves lesiones o, incluso, la muerte.
- ! Para evitar lesiones graves como consecuencia de caídas o resbalones, mantenga al niño sujeto con el cinturón de asiento en todo momento.
- ! Asegúrese de mantener a los niños alejados de las partes móviles cuando realice ajustes en el cochecito.
- ! Asegúrese de que el cochecito está totalmente abierto o plegado antes de permitir que el niño se acerque a él.
- ! El niño podría resbalarse por las aberturas para las piernas y estrangularse si no está sujeto con el arnés.
- ! Nunca utilice cochecito en escaleras mecánicas o convencionales.
- ! Manténgalo alejado de objetos a altas temperaturas, líquidos y aparatos electrónicos.

- ! Nunca deje que su hijo se ponga de pie sobre el cochecito ni se siente en él con la cabeza orientada hacia adelante del cochecito.
- ! Nunca coloque el cochecito en carreteras, cuestas o zonas peligrosas.
- ! Para evitar el riesgo de estrangulamiento, NO coloque objetos con cordones alrededor del cuello del niño, no deje que cuelguen cordones de este producto ni ate los cordones a ningún juguete.
- ! Si cuelga algún objeto del manillar, de la parte trasera del respaldo o de los laterales del cochecito, la estabilidad de este se verá afectada.
- ! NO levante el cochecito mientras el niño esté montado en él.
- ! NO utilice la cesta de almacenamiento como portabebés.
- ! Para evitar que pueda volcar, nunca permita que el niño trepe por el cochecito. Siempre suba y baje al niño del cochecito.
- ! Tenga cuidado de no pillarse los dedos cuando pliegue y despliegue el cochecito.
- ! Para evitar lesiones, asegúrese de que su hijo está alejado del producto cuando lo pliegue y lo despliegue.
- ! Para garantizar la seguridad del niño, asegúrese de que todas las piezas están montadas y bien sujetas antes de utilizar el cochecito.
- ! Para evitar el riesgo de estrangulamiento, asegúrese de que su hijo se mantiene alejado de la capota o de la capota impermeable.
- ! Accione siempre los frenos cuando aparque el cochecito.
- ! Deje de utilizar el cochecito si presenta daños o roturas.
- ! El cochecito solo se debe utilizar a una velocidad de paseo. Este producto no es adecuado para utilizarlo mientras se corre.
- ! Para evitar el riesgo de asfixia, retire la bolsa de plástico y los materiales de embalaje antes de utilizar este producto. A continuación, deberá mantener la bolsa de plástico y los materiales de embalaje fuera del alcance de bebés y niños.
- ! Este producto no es adecuado para correr ni patinar.
- ! En el caso de los recién nacidos, le recomendamos que el asiento diseñado para utilizarse desde el nacimiento lo coloque en la posición lo más reclinada posible.
- ! El dispositivo de estacionamiento deberá estar accionado cuando coloque y retire al niño.
- ! En los dispositivos de sujeción para niños que se utilicen con un chasis, este vehículo no sustituye a una cuna ni una cama. Si su hijo necesita dormir, deberá colocarlo sobre una cuna, una cama o un capazo adecuado.

## Montaje del cochecito

Lea todas las instrucciones incluidas en este manual antes de montar y utilizar este producto.

### Abrir el cochecito

Consulte las imágenes 1 - 4

! Asegúrese de que el cochecito está completamente bloqueado antes de continuar utilizándolo.

### Montaje y desmontaje de la rueda delantera

Consulte las imágenes 5 - 6

### Montaje y desmontaje de la rueda trasera

Consulte las imágenes 7 - 10

! Las ruedas traseras se pueden desmontar presionando las sujeciones. 9

! Envuelva la cesta de almacenamiento alrededor del armazón y del eje del freno y, a continuación, bloquéela en su lugar. 10

### Montaje y desmontaje del reposabrazos

Consulte las imágenes 11 - 13

El cochecito montado completamente aparece en la figura 14

## Funcionamiento del cochecito

### Uso de la hebilla

Consulte las imágenes 15 - 16

Desbloquear la hebilla

Pulse el botón central para desbloquear la hebilla. 15

Bloquear la hebilla

Alinee la hebilla del cinturón de cintura con la hebilla de las correas de los hombros 16 - 1, y encájelas en la hebilla central hasta que escuche un clic. 16 - 2 El sonido de un "clic" le indicará que la hebilla está bloqueada completamente. 16 - 3

! Con el fin de evitar lesiones graves como consecuencia de caídas o resbalones, mantenga al niño sujeto con el arnés en todo momento.

! Asegúrese de que su hijo quede cómodamente sujeto. Cerciórese de que el espacio entre el niño y el arnés de los hombros sea el del grosor de una mano más o menos.

! No cruce los cinturones de los hombros. Si lo hace, podría presionar el cuello del niño.

### Uso de los arneses de los hombros y la cintura

Consulte las imágenes 17 - 20

! Con el fin de proteger al niño contra caídas, después de colocarlo en el asiento, compruebe si la altura y el largo de los arneses de los hombros y la cintura son los adecuados.

17 - 1 Gancho A del arnés de los hombros

17 - 2 Gancho B del arnés de los hombros

17 - 3 Ajuste deslizante

Para los niños más altos, utilice el gancho A del arnés de los hombros y las ranuras de los hombros más altas. Para los niños más pequeños, utilice el gancho B del arnés de los hombros y las ranuras de los hombros más bajas.

Para ajustar la posición del gancho del arnés de los hombros, gire el gancho para alinearlos con la parte que está orientada hacia adelante.

Enhébrelo por la ranura del arnés de los hombros de atrás hacia adelante. 18 Vuelva a enhebrarlo por la ranura que esté más cerca de la altura de los hombros del niño. 19

Utilice el ajuste deslizante para cambiar la longitud del arnés. 20 - 1

Pulse el botón 20 - 2, y tire al mismo tiempo del arnés de la cintura hasta que la longitud sea la adecuada. 20 - 3

### Ajuste del respaldo

Consulte las imágenes 21 - 22

Reclinar el respaldo

Tire del respaldo hacia atrás mientras presiona el botón situado en el centro del regulador del ángulo. 21

Subir el respaldo

Empuje el respaldo hacia adelante mientras tira de la cincha al final del regulador del ángulo. 22

! Asegúrese de que ajusta la inclinación de forma adecuada para su uso.

### Ajuste del soporte para los gemelos

Consulte las imágenes 23

Se puede colocar el soporte para los gemelos en 2 posiciones distintas.

Subir el soporte para los gemelos

Para elevar el soporte para los gemelos, simplemente tire de él hacia arriba. Cuando oiga un "clic" significará que el soporte para los gemelos está bloqueado completamente.

Bajar el soporte para los gemelos

Pulse los botones de ajuste ubicados a ambos lados del soporte para los gemelos 23 - 1, y gire el soporte hacia abajo. 23 - 2

### Uso del bloqueo de las ruedas giratorias delanteras

Consulte las imágenes 24

Tire hacia arriba de los bloqueos de las ruedas giratorias delanteras para mantener la dirección del movimiento. 24

**Consejo** se recomienda utilizar los bloqueos de las ruedas giratorias sobre las superficies irregulares.

## Uso del freno

### Consulte las imágenes 25 - 26

Para bloquear las ruedas, pise sobre la palanca del freno empujándola hacia abajo. 25

Para desbloquear las ruedas, simplemente levante la palanca del freno hacia arriba. 26

**Consejo** Accione siempre el freno de estacionamiento cuando el cochecito no se esté moviendo.

## Uso de la capota

### Consulte las imágenes 27

La capota puede abrirse o plegarse tirando de ella hacia delante o hacia atrás. 27

## Uso del protector del arnés para los hombros y del arnés de la pelvis

La cubierta del arnés del hombro o del arnés de la pelvis puede extraerse desde la cincha. Para montar la cubierta del arnés del hombro o del arnés de la pelvis, siga los mismos pasos a la inversa.

## Ajuste del manillar

### Consulte las imágenes 28

! El asa se puede ajustar en 2 posiciones distintas.

## Plegado del cochecito

### Consulte las imágenes 29 - 36

! Pliegue la capota antes de plegar el cochecito.

Pulse el bloqueo secundario 29 - 1 y apriete el botón de pliegue con una sola mano 29 - 2. Empuje el cochecito hacia adelante para plegarlo.

! Agarre la bolsa de transporte; el cochecito le seguirá. 36

## Uso de los accesorios

Es posible que los accesorios se vendan por separado o no estén disponibles, dependiendo de la región.

## Uso con el dispositivo de sujeción para niños Joie

### Consulte las imágenes 37 - 43

Cuando lo utilice con el dispositivo de sujeción para niños i-Level, i-Snug, Gemm, i-Gemm de Joie, consulte las siguientes instrucciones:

! Quite el reposabrazos y guárdelo bien antes de acoplar el dispositivo de sujeción para niños.

! Ajuste el respaldo a la posición más baja posible.

! Si experimenta algún problema al utilizar el dispositivo de sujeción para niños, consulte sus propios manuales de instrucciones.

! No pliegue el cochecito al acoplar el dispositivo de sujeción para niños.

## Uso de la capota impermeable

### Consulte las imágenes 44 - 45

Para montar la capota impermeable, colóquela sobre el cochecito y, a continuación, cierre el enganche y los velcros de la capota impermeable.

! Antes de utilizar la capota impermeable, asegúrese de ajustar el respaldo a la posición más baja y de fijar el dispositivo de sujeción para niños. 45

! Utilice la fila diferente de correas de sujeción de velcro de la capota impermeable mientras utiliza la unidad en el modo de sistema de viaje y el cochecito solo.

! Cuando utilice la capota impermeable, deberá asegurarse siempre de que tenga una ventilación adecuada.

! Cuando no vaya a utilizar la capota impermeable, asegúrese de que esté limpia y seca antes de plegarla.

! No pliegue el cochecito si ha colocado la capota impermeable.

! No coloque al niño en el cochecito con la capota impermeable montada si la temperatura es cálida.

## Desmontar el acolchado

### Consulte las imágenes 46 - 57

1. Siga los pasos 46 - 57 para desmontar los materiales mullidos.

! Guarde bien el cable del capazo después de quitarlo y ensamble dicho cable mientras monta la capota.

2. Para volver a montar los materiales mullidos, repita los pasos anteriores en orden inverso.

## Cuidados y mantenimiento

### Consulte las imágenes 58

! Para lavar el acolchado extraíble del asiento, puede hacerlo con agua fría y dejarlo escurrir. No utilice lejía. Consulte la etiqueta de cuidados para ver las instrucciones acerca de la limpieza de las partes de tela del cochecito.

! Para limpiar el manillar del cochecito, utilice únicamente jabón para uso doméstico y agua tibia. No utilice lejía ni detergente. Limpie periódicamente las partes de plástico con un paño suave y húmedo. Seque siempre las partes metálicas para evitar que se oxiden si el cochecito ha estado en contacto con el agua.

! Examine periódicamente su cochecito por si tuviera tornillos sueltos, piezas desgastadas, materiales dañados o descosidos. Sustituya o repare las piezas que lo requieran.

! Una exposición excesiva al sol o al calor podría decolorar o deformar las piezas.

! Si se moja el cochecito, abra la capota y deje que se seque completamente antes de guardarlo.

! Si chirrían las ruedas, utilice un aceite suave (por ejemplo: espray de silicona, aceite antioxidante o aceite para máquinas de coser). Es importante que el aceite llegue al ensamblaje de las ruedas y el eje. 58

! Cuando utilice su cochecito en la playa, límpielo completamente después de usarlo para eliminar cualquier resto de arena y sal que haya podido quedar en los ensamblajes de las ruedas y los mecanismos.

# PT Bem-vindo a Joie™

Parabéns por fazer parte da família Joie! É um prazer fazer parte da sua viagem com seu filho/sua filha. Enquanto estiver usando o Joie Pact™, você está usando um carrinho de bebê de alta qualidade, totalmente certificado, aprovado com os padrões europeus de segurança EN 1888-1:2018. Este produto é adequado para uso com crianças com peso inferior a 15kg. Leia atentamente este manual e siga cada passo para uma viagem confortável e a melhor proteção para seu filho/sua filha.

## IMPORTANTE-Mantenha estas instruções para referência futura.

Visite-nos em [joiebaby.com](http://joiebaby.com) para baixar manuais e ver mais emocionantes produtos Joie!

Para informações sobre a garantia, por favor visite nosso website em [joiebaby.com](http://joiebaby.com)

## Sumário

Figuras	1-11
AVISO	53
Montagem do carrinho de bebê	55
Abrir o carrinho de bebê	55
Montar e soltar as rodas dianteiras	55
Montar e soltar as rodas traseiras	55
Montar e soltar a barra de braço	55
Operação do carrinho de bebê	55
Usar a fivela	55
Usar cinto de ombro e cintura	56
Ajuste do encosto	56
Ajustar o suporte da panturrilha	56
Usar a trava articulada frontal	56
Usar o freio	57
Usar a capota	57
Use a capa de cinto de ombro e capa de cinto de virilha	57
Ajuste da alça	57
Dobrar o carrinho de bebê	57
Usar Acessórios	57
Uso com o cadeirinha infantil Joie	57
Usar Capa de chuva	58
Separar Mercadorias Macias	58
Cuidado e manutenção	58

## Emergência

Em caso de emergência ou acidentes, é mais importante fornecer ao seu filho primeiros socorros e tratamento médico imediatamente.

## Informações do Produto

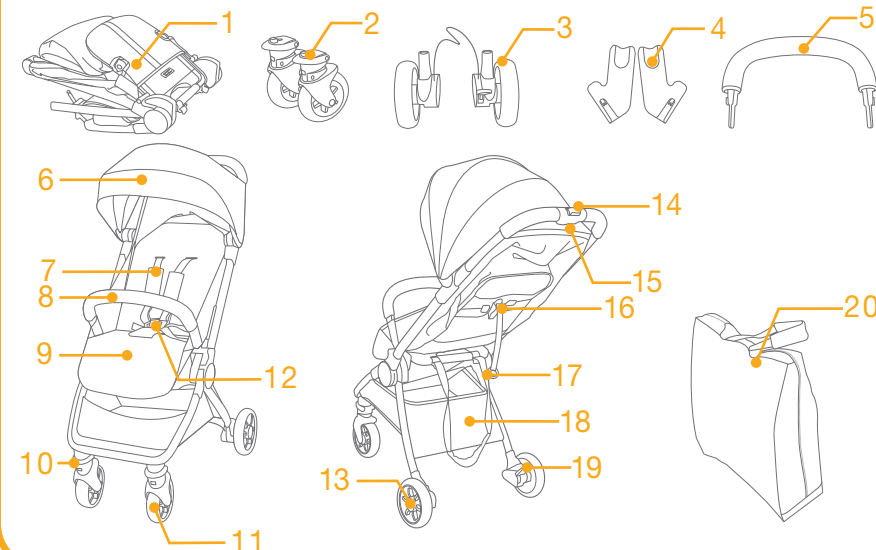
Leia todas as instruções deste manual antes de utilizar o produto. Se tiver quaisquer dúvidas, contate o revendedor. Os recursos podem variar dependendo do modelo.

Produto	Carrinho Pact
Adequado para	Crianças com peso inferior a 15kg (nascimento-36 meses).
Materiais	plásticos, metal, tecido
N.º de Patente	Patentes pendentes
Fabricado na	China
Nome da marca	Joie
Website	<a href="http://www.joiebaby.com">www.joiebaby.com</a>
Fabricante	Allison Baby UK Ltd

## Lista de peças

Certifique-se de que todas as peças estão disponíveis antes da montagem. Se alguma peça estiver faltando, entre em contato com o representante local. Não são necessárias ferramentas para a montagem.

1 Estrutura de carrinho de bebê	6 Capota	12 Fivela costas
2 Roda frontal	7 Cinto de ombros	13 Roda traseira
3 Roda traseira	8 Barra de braço	14 Trava secundária
4 Adaptador	9 Suporte de panturrilha	15 Alça para Dobrar com Uma Mão
5 Barra de braço	10 Elo giratório	16 Ajuste do encosto das costas
	11 Roda frontal	17 Tira de carregamento
		18 Cesta para armazenamento
		19 Alavanca de freio
		20 Bolsa de Transporte



## Acessórios

(podem não estar incluídos)

Cobertura de chuva



Os acessórios podem ser vendidos separadamente ou podem não estar disponíveis dependendo da região.

# ADVERTÊNCIA

- ! ADVERTÊNCIA Sempre use o sistema de retenção. Cintos de segurança e sistemas de retenção devem ser usados corretamente.
- ! ADVERTÊNCIA Certifique-se de que todos os dispositivos de trava estão engatados antes de utilizar.
- ! ADVERTÊNCIA Não deixe seu filho brincar com este produto.
- ! ADVERTÊNCIA Verifique se os dispositivos anexos de corpo ou retenção infantil estão engatados corretamente antes de utilizar.
- ! Montagem por adulto necessária.
- ! Use o carrinho com uma criança com menos de 15kg. Causará danos ao carrinho com uma criança inadequada.
- ! Para evitar uma condição perigosa, instável, não coloque mais de 4,5 kg no cesto de armazenamento.
- ! Nunca deixe sua criança sozinha. Observe sempre a criança enquanto ela estiver no carrinho.
- ! Use o carrinho de bebê com apenas uma criança por vez. Nunca coloque bolsas, sacolas, sacos ou itens de acessórios na alça ou na capota.
- ! Não devem ser utilizados acessórios não aprovados pelo fabricante. Apenas peças de substituição fornecidas ou recomendadas pelo fabricante devem ser usadas.
- ! Nunca use acessórios, peças ou componentes não produzidos ou aprovados pelo fabricante. Por favor leia este manual de instruções cuidadosamente.
- ! Leia todas as instruções deste manual antes de utilizar o produto. Guarde este manual de instruções para uso futuro. A não observância dessas instruções pode resultar em ferimento grave ou morte.
- ! Para evitar ferimentos graves devido a queda ou escorregamento, utilize sempre o cinto.
- ! Certifique-se que o corpo do seu filho está livre das partes móveis ao ajustar o carrinho.
- ! Certifique-se de que o carrinho está totalmente aberto ou dobrado antes de permitir que a criança chegue perto do carrinho.
- ! A criança pode escorregar nas aberturas para perna e ser estrangulada se o cinto não for usado.
- ! Nunca utilize o carrinho de passeio em escadas ou escadas rolantes.
- ! Mantenha longe de objetos de alta temperatura, líquidos e eletrônicos.
- ! Nunca deixe sua criança de pé no carrinho ou sentada no carrinho com a cabeça voltada para frente do carrinho.
- ! Nunca coloque o carrinho em estradas, encostas ou áreas perigosas.

- ! Para evitar estrangulamento, NÃO coloque os itens com uma cinta em torno do pescoço da criança, suspenda as cintas deste produto, ou acople as cintas aos brinquedos.
- ! Qualquer carga pendurada à alça e/ou na parte traseira do encosto e/ou nas laterais do carrinho afetarão a estabilidade do carrinho.
- ! NÃO levante o carrinho enquanto a criança está no carrinho.
- ! NÃO use cesta de armazenamento como transporte para criança.
- ! Para evitar tombamento, nunca deixe a criança subir no carrinho. Levante sempre a criança dentro e fora do carrinho.
- ! Para evitar prender o dedo, tenha cuidado quando dobrar e desdobrar o carrinho.
- ! Para evitar ferimentos, certifique-se de que seu filho é mantido afastado quando desdobrar e dobrar este produto.
- ! Para garantir a segurança da criança, certifique-se que todas as partes estão montadas e fixadas corretamente antes de utilizar o carrinho de passeio.
- ! Para evitar o estrangulamento, certifique-se de que seu filho está livre da capota ou capa de chuva.
- ! Sempre acione os freios quando estacionar o carrinho.
- ! Descontinue o uso carrinho se ele estiver danificado ou quebrado.
- ! O carrinho de bebê deve ser usado apenas na velocidade de caminhada. Este produto não é para uso em corridas.
- ! Para evitar asfixia, retire o saco de plástico e materiais de embalagem antes de usar este produto. O saco plástico e materiais de embalagem devem, então, ser mantidos afastados de bebês e crianças.
- ! Este produto não é adequado para corrida ou andar de skate.
- ! Carrinho de bebê concebido para ser usado desde o nascimento deve recomendar o uso da posição mais reclinada para bebês recém-nascidos.
- ! O dispositivo de estacionamento deve permanecer engatado quando colocar e retirar as crianças.
- ! Para retenção para crianças usada em conjunto com um chassi, este veículo não substitui um berço ou uma cama. Se seu filho precisar dormir, então ele deve ser colocado em um berço ou cama apropriado.

## Montagem do Carrinho de Bebê

Leia todas as instruções neste manual antes de montar e usar este produto.

### Abrir o carrinho de bebê consulte as imagens 1 - 4

! Verifique se o carrinho está completamente travado antes de usar.

### Montar e soltar as rodas dianteiras consulte as imagens 5 - 6

### Montar e soltar as rodas traseiras consulte as imagens 7 - 10

! As rodas traseiras podem ser desmontadas, premindo pressão dos botões. 9

! Enrole a cesta de armazenamento em torno do quadro e eixo de freio, e em seguida, encaixe no lugar. 10

### Montar e soltar a barra de braço consulte as imagens 11 - 13

O carrinho completamente montado é mostrado como na Figura 14

## Operação do Carrinho de Bebê

### Usar a fivela consulte as imagens 15 - 16

Fivela de liberação

Pressione o botão central para soltar a fivela. 15

Fivela de trava

Combine o fecho do cinto de cintura com o fecho do cinto de ombro 16 - 1, e encaixe no fecho central. 16 - 2  
Um som de "clique" significa que a fivela está travada completamente. 16 - 3

! Para evitar ferimentos graves devido a queda ou escorregamento, sempre prenda seu filho no cinto.

! Certifique-se que a criança está confortavelmente segura. O espaço entre a criança e a correia de ombro é de aproximadamente a espessura de uma mão.

! Não cruze os cintos de ombro. Isso fará pressão no pescoço da criança.

### Usar cinto de ombro e cintura consulte as imagens 17 - 20

! Para proteger seu filho de quedas, depois que seu filho for colocado no assento, verifique se os cintos de ombro e cintura estão na altura e comprimento apropriados.

17 - 1 Âncora de cinto de ombro A

17 - 2 Âncora de cinto de ombro B

17 - 3 Deslize o ajuste

Para crianças maiores, use cinto de âncora de cinto de ombro A e as ranhuras de ombro mais altas. Para crianças menores, use cinto de âncora de cinto de ombro B e as ranhuras de ombro mais baixas.

Para ajustar a posição da âncora do cinto de ombro, vire a âncora para ficar nivelada com o lado virado para a frente.

Passe-o através da ranhura de cinto de ombro de trás para frente. 18 Passe-o novamente através da ranhura que fica mais próxima da altura do ombro da criança. 19

Use o ajuste deslizante para alterar o comprimento do cinto. 20 - 1

Pressione o botão 20 - 2, ao puxar o cinto de cintura para o comprimento correto. 20 - 3

### Ajuste do encosto consulte as imagens 21 - 22

Reclinar o encosto

Puxe o encosto para trás, pressionando o botão no centro do ajuste de ângulo. 21

Levantar o encosto

Empurre o encosto para frente, puxando a tela no fim do ajuste de ângulo. 22

! Certifique-se que o encosto está colocado corretamente para uso.

### Ajustar o suporte da panturrilha consulte as imagens 23

O apoio da perna tem 2 posições.

Eleve o suporte da perna

Para levantar o apoio de perna, apenas empurre-o. Um som de "clique" significa que a panturrilha está travada completamente.

Baixe o suporte da perna

Pressione os botões de ajuste em ambos os lados do suporte de perna 23 - 1 e gire para baixo. 23 - 2

### Usar a trava articulada frontal consulte as imagens 24

Empurre para cima os bloqueios de giro frontal para manter a direção do movimento. 24

**Dica** É recomendável usar bloqueios giratórios em superfícies irregulares.

## Usar o freio

### consulte as imagens 25 - 26

Para travar as rodas, pise na alavanca do freio para baixo. 25

Para liberar as rodas, basta levantar a alavanca do freio. 26

#### Dica

Sempre acione o freio de estacionamento quando o carrinho de criança não está se movendo.

## Usar a capota

### consulte as imagens 27

A capota pode ser aberta ou dobrada, puxe-a para frente ou para trás. 27

## Use a capa de cinto de ombro e capa de cinto de virilha

A cobertura ou tampa do cinto da virilha pode ser removida a partir da teia. Para montar a capa do cinto de ombro e capa de cinto de cinto de virilha em passos inversos.

## Ajuste da alça

### consulte as imagens 28

! A alça pode ser ajustada em 2 posições.

## Dobrar o carrinho de bebê

### consulte as imagens 29 - 36

! Por favor, dobre a capota antes de dobrar o carrinho.

Empurre o bloqueio secundário 29 - 1 e aperte o botão para dobrar com uma mão 29 - 2. Empurre o carrinho para a frente para dobrar.

! Pegue o saco de transporte, o carrinho vai segui-lo. 36

## Usar acessórios

Os acessórios podem ser vendidos separadamente ou podem não estar disponíveis dependendo da região.

## Uso com o cadeirinha infantil Joie

### consulte as imagens 37 - 43

Ao usar com assento Joie i-Level, i-Snug, gemm, i-Gemm, por favor consulte as instruções a seguir.

! Por favor, remova a barra de braço e guarde-a bem antes de fixar o assento infantil.

! Ajuste o encosto na posição mais baixa.

! Se você tiver qualquer problema sobre como usar o dispositivo de retenção infantil, consulte por favor seus próprios manuais de instrução.

! Por favor não desista carrinho quando anexar o assento infantil.

## Usar Capa de chuva

### consulte as imagens 44 - 45

Para montar a capa de chuva, coloque-a sobre o carrinho e, em seguida, anexar os fixadores e gancho e laço na capa de chuva.

! Antes de utilizar a capa de chuva, por favor certifique-se que o encosto foi ajustado na posição mais baixa e o dispositivo de retenção infantil foi fixado. 45

! Por favor, use a linha diferente de prendedores de laço e gancho na capa de chuva enquanto estiver usando a unidade no modo de sistema de viagens e o carrinho sozinho.

! Ao usar a capa de chuva, por favor, verifique sempre sua ventilação.

! Quando não estiver em uso, por favor, verifique que a capa de chuva foi limpa e seca antes de dobrar.

! Não dobre o carrinho depois de montar a capa de chuva.

! Não coloque a criança no carrinho montado com capa de chuva durante tempo quente.

## Separar as partes macias

### consulte as imagens 46 - 57

1. Siga os passos 46 - 57 para soltar as partes macias.

! Por favor guarde bem o cabo do capô depois de removê-lo e monte o o cabo do capô montar o capô.

2. Para re-anexar as partes macia, repita os passos acima nos passos inversos.

## Cuidado e Manutenção

### consulte as imagens 58

! A almofada do assento removível pode ser lavada em água fria em seca. Não usar alvejante. Consulte a etiqueta de cuidados para obter instruções sobre a limpeza das pelias da tela do carrinho.

! Para limpar a estrutura, use apenas água morna e sabão. Sem alvejante ou detergente. Periodicamente, limpe as partes de plástico com um pano úmido. Sempre seque as partes metálicas para evitar a formação de ferrugem se o carrinho tiver que entrar em contato com a água.

! De vez em quando, verifique seu carrinho para parafusos soltos, peças desgastadas, rasgadas ou costura. Substitua ou repare as peças como necessário.

! A exposição excessiva ao sol ou calor pode causar desbotamento ou deformação das peças.

! Se carrinho ficar molhado, abra o capô e deixe secar completamente antes de guardar.

! Se as rodas rangem, use um óleo leve (ex., Spray de silicone, óleo antiferrugem ou óleo de máquina de costura). É importante obter o óleo para o conjunto do eixo e roda. 58

! Quando utilizar o carrinho na praia, limpe completamente o seu carrinho após o uso para remover a areia e o sal dos mecanismos e rodas.

Gefeliciteerd dat u nu lid bent van de Joie-familie! Het doet ons veel genoegen om deel te kunnen uitmaken van uw reis met uw kleintje. Bij het reizen met de Joie Pact™ gebruikt u een volledig gecertificeerde kwaliteits-wandelwagen, goedgekeurd volgens de Europese veiligheidsnorm EN 1888-1:2018. Dit product is geschikt voor gebruik met kinderen die minder dan 15 kg per zit wegen. Lees deze handleiding zorgvuldig en volg elke stap om voor een comfortabele rit en de beste bescherming van uw kind te zorgen.

**BELANGRIJK: bewaar deze instructies zodat u ze later opnieuw kunt raadplegen.**

Bezoek ons op [joiebaby.com](http://joiebaby.com) om handleidingen te downloaden en nog meer interessante producten van Joie te zien.

Bezoek voor informatie over de garantie onze website op [joiebaby.com](http://joiebaby.com)

## Inhoud

Afbeeldingen	1-11
WAARSCHUWING	61
Montage wandelwagen	63
Open wandelwagen	63
Voorwiel monteren en demonteren	63
Achterwiel monteren en demonteren	63
Armsteun monteren en demonteren	63
Gebruik wandelwagen	63
Riem gebruiken	63
Schouder- en middelriemen gebruiken	64
Rugsteun afstellen	64
Kuitsteun instellen	64
Draaien voorwielen blokkeren	64
Remmen	65
Kap gebruiken	65
Gebruik afdekking schouderriemen en afdekking kruisriemen	65
Handgreep instellen	65
Wandelwagen invouwen	65
Accessoires gebruiken	65
Gebruiken met Joie-babysitje	65
Regenkap gebruiken	66
Zachte voorwerpen losmaken	66
Verzorging en onderhoud	66

## Noodgeval

Bij een noodsituatie of een ongeluk is het heel belangrijk om uw kind direct te laten verzorgen met eerste hulp en medische behandeling.

## Productinformatie

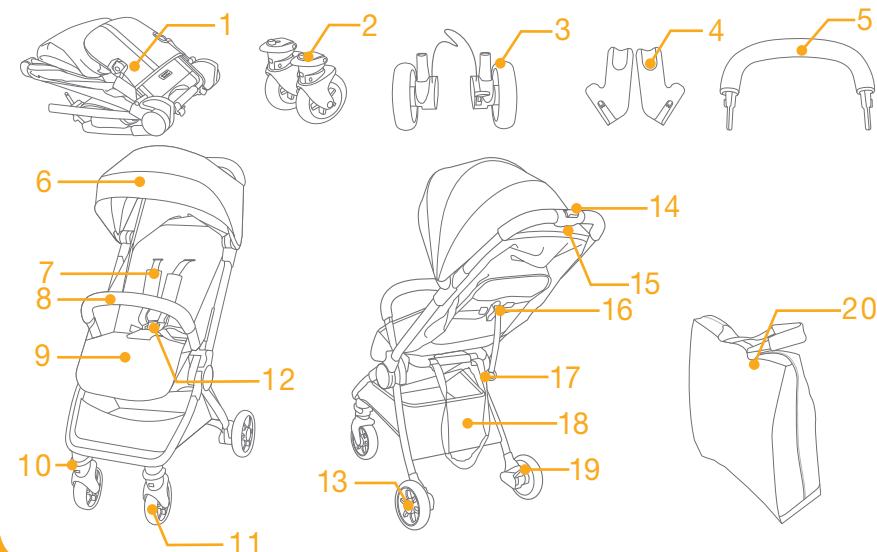
Lees alle aanwijzingen in deze handleiding voordat u het product gebruikt. Als u vragen hebt, kunt u contact opnemen met de verkoper. Sommige functies kunnen verschillen, afhankelijk van het model.

Product	Pact wandelwagen
Geschikt voor	kind met een maximaal gewicht van 15 kg (geboorte-36 maanden)
Materiaal	Kunststoffen, metaal, geweven stoffen
Patent nr.	Patent aangevraagd
Gemaakt in	China
Merknaam	Joie
Website	<a href="http://www.joiebaby.com">www.joiebaby.com</a>
Fabrikant	Allison Baby UK Ltd

## Onderdelenlijst

Zorg dat alle onderdelen voor het opslaan droog zijn. Als er items ontbreken of beschadigd zijn, kunt u contact opnemen met uw leverancier. Voor de montage is geen gereedschap nodig.

1 Wandelwagenframe	7 Schouderriem	13 Achterwiel	18 Opbergmand
2 Voorwiel	8 Armsteun	14 Tweede slot	19 Remgreep
3 Achterwiel	9 Kuitsteun	15 Vouwgreep	20 draagtas
4 Adapter	10 Draaislot	16 Instelregelaar rugsteun	
5 Armsteun	11 Voorwiel	17 Draagriem	
6 Kap	12 Gesp		



## Toebehoren

(zijn mogelijk niet meegeleverd)

Regenkap



Accessoires kunnen al dan niet apart leverbaar zijn, afhankelijk van de regio.

# WAARSCHUWING

- ! WAARSCHUWING Gebruik altijd de veiligheidsriemen. Veiligheidsriemen en zitsystemen moeten op de juiste wijze worden gebruikt.
- ! WAARSCHUWING Controleer voor het gebruik of alle sluitingen goed vastzitten.
- ! WAARSCHUWING Laat uw kind niet met dit product spelen.
- ! WAARSCHUWING Controleer voor het gebruik of de bevestigingsmiddelen van de wandelwagen of het kinderzitje goed zijn vastgezet.
- ! Montage door volwassene vereist.
- ! Gebruik de wandelwagen voor een kind dat minder dan 15kg weegt. Als het kind niet past, kan dit de wandelwagen beschadigen.
- ! Om een gevaarlijke en instabiele conditie te vermijden, moet u niet meer dan 4,5 kg in de opbergmand plaatsen.
- ! Laat uw kind nooit zonder toezicht achter. Let altijd op uw kind als het in de wandelwagen zit.
- ! Gebruik de wandelwagen met slechts één kind tegelijk. Leg nooit handtassen, boodschappentassen, pakjes of onderdelen van toebehoren op de greep of de kap.
- ! Gebruik geen toebehoren die niet door de fabrikant zijn goedgekeurd. Gebruik uitsluitend vervangende onderdelen die zijn geleverd of aanbevolen door de fabrikant.
- ! Gebruik nooit accessoires, onderdelen of componenten die niet door de fabrikant zijn gemaakt of goedgekeurd. Lees altijd eerst zorgvuldig de handleiding.
- ! Lees alle aanwijzingen in deze handleiding voordat u het product gebruikt. Bewaar de handleiding voor later gebruik. Niet-naleving van de waarschuwingen en de instructies kan ernstig letsel of de dood veroorzaken.
- ! Om ernstig letsel te vermijden door vallen of uit de wagen glijden, moet u altijd de riemen gebruiken.
- ! Zorg er voor dat het lichaam van uw kind geen bewegende onderdelen raakt bij het aanpassen van de wandelwagen.
- ! Zorg ervoor dat de wandelwagen volledig geopend of dichtgevouwen is voordat u uw kind in de buurt laat komen.
- ! Het kind kan in de beenopeningen glijden en gewurgd worden als het harnas niet wordt gebruikt.
- ! Gebruik de wandelwagen nooit op trappen of roltrappen.
- ! Uit de buurt houden van voorwerpen, vloeistoffen en elektronica met een hoge temperatuur.

- ! Laat uw kind nooit in de wandelwagen staan of met het hoofd naar de voorkant van de wandelwagen zitten.
- ! Plaats de wandelwagen nooit op wegen, hellingen of gevaarlijke gebieden.
- ! Om verstikking te voorkomen, moet u GEEN voorwerpen met een koord rond de hals van uw kind hangen, de koorden van dit product laten hangen of koorden aan speelgoed bevestigen.
- ! Elke last bevestigd aan de greep of op de achterkant van de rugsteun of de zijkanten van de wandelwagen bevoeden de stabiliteit van de wandelwagen.
- ! Til de wandelwagen NIET op als daar een kind in zit.
- ! Gebruik de opbergmand NIET om een kind in te plaatsen.
- ! Om omvallen te voorkomen, moet u het kind nooit in de wandelwagen laten klimmen. Til het kind altijd in en uit de wandelwagen.
- ! Om afgeklemd vingers te voorkomen, moet u opletten bij het in- en uitvouwen van de wandelwagen.
- ! Om letsel te voorkomen, moet u uw kind uit de buurt houden tijdens het open- of samenvouwen van dit product.
- ! Om voor de veiligheid van uw kind te zorgen, moet u ervoor zorgen dat alle onderdelen goed zijn gemonteerd en vastgezet voordat u de wandelwagen gebruikt.
- ! Om verstikking te voorkomen, moet u er voor zorgen dat uw kind niet door de kap wordt bedekt.
- ! Gebruik altijd de remmen bij het parkeren van de wandelwagen.
- ! Gebruik de wandelwagen niet meer als deze is beschadigd of kapot is.
- ! De wandelwagen mag alleen met een loopsnelheid gebruikt worden. Dit product is niet bedoeld voor gebruik tijdens het joggen.
- ! Om verstikking te voorkomen, moet u de plastic zak en verpakkingsmaterialen verwijderen voordat u de stoel gebruikt. Houd de plastic zak en verpakkingsmaterialen buiten bereik van baby's en kinderen.
- ! Dit product is niet geschikt om mee te rennen of rolschaatsen.
- ! Wandelwagen ontworpen voor gebruik vanaf de geboorte, gebruik de meest vlakke stand voor pasgeboren baby's.
- ! Bij het plaatsen en verwijderen van het kind moet de parkeerrem geactiveerd zijn.
- ! Voor kinderstoeltjes die gebruikt worden in combinatie met een chasis, vervangt dit voertuig geen draagwieg of bed. Als uw kind moet slapen, moet u het in een geschikte kinderwagen, wieg of bed leggen.

## Montage wandelwagen

Lees alle aanwijzingen in deze handleiding voordat u het product opzet en gebruikt.

### Open wandelwagen zie afbeeldingen 1 - 4

! Controleer of de wagen goed vergrendeld is voordat u hem gebruikt.

### Voorwiel monteren en demonteren zie afbeeldingen 5 - 6

### Achterwiel monteren en demonteren zie afbeeldingen 7 - 10

! Druk op de klikknoppen om de achterwielen te verwijderen. 9

! Vouw de opbergmand rond het frame en de remas en klik hem op zijn plaats. 10

### Armsteun monteren en demonteren zie afbeeldingen 11 - 13

De volledig gemonteerde wandelwagen wordt afgebeeld in 14

## Gebruik wandelwagen

### Riem gebruiken zie afbeeldingen 15 - 16

Maak de gesp los

Druk op de knop in het midden om de riem los te maken. 15

Riem vastmaken

Verbind de gesp van de middelriem met de schouderriem 16 - 1, en klik deze in de middengesp. 16 - 2 Een klikkend geluid betekent dat de riem vergrendeld is. 16 - 3

! Om ernstig letsel te voorkomen door uit de stoel vallen of glijden, moet u uw kind altijd met de riemen vastzetten.

! Zorg er voor dat uw kind goed vast zit. De ruimte tussen het kind en de schouderriemen moet ongeveer de dikte van een hand zijn.

! De schouderriemen niet kruisen. Dat veroorzaakt druk op de nek van het kind.

### Schouder- en middelriemen gebruiken zie afbeeldingen 17 - 20

! Om te voorkomen dat uw kind uit de stoel valt, moet u controleren of de schouder- en middelriemen op de juiste hoogte en lengte zitten.

17 - 1 Schouderriemanker A

17 - 2 Schouderriemanker B

17 - 3 Instelling

Gebruik voor een groter kind schouderriemanker A en de hoogste schouder sleuven. Gebruik voor een kleiner kind schouderriemanker B en de laagste schouder sleuven.

Om de positie van het schouderriemanker aan te passen, draait u het anker zodat het gelijk ligt met de kant die naar voren kijkt.

Geleid deze van achter naar voor door de sleuf voor de schouderriem. 18 Steek deze vervolgens opnieuw door de sleuf die het dichtst bij de schouderhoogte van het kind zit. 19

Gebruik de schuifregelaar om de lengte van de riemen in te stellen. 20 - 1

Druk op knop 20 - 2, terwijl u de middelriem op de juiste lengte trekt. 20 - 3

### Rugsteun instellen zie afbeeldingen 21 - 22

Rugsteun naar achteren brengen

Trek de rugsteun naar achteren terwijl u de knop in het midden van de hoekregelaar indrukt. 21

De rugsteun omhoog brengen

Druk de rugsteun naar voren terwijl u aan de spanriem aan het einde van de hoekregelaar trekt. 22

! Controleer of de helling goed is ingesteld.

### Kuitsteun aanpassen zie afbeeldingen 23

De kuitsteun heeft 2 standen.

Kuitsteun naar boven

Breng de kuitsteun omhoog door deze omhoog te drukken. Een klikkend geluid betekent dat de riem vergrendeld is.

Kuitsteun naar beneden

Druk op de instelknoppen aan weerskanten van de kuitsteun 23 - 1 en draai de kuitsteun omlaag. 23 - 2

### Blokkering voorwielen zie afbeeldingen 24

Druk de blokkering van de voorwielen omhoog om de bewegingsrichting te behouden. 24

**Tip** aanbevolen wordt om de draaiblokkering op ongelijke oppervlakken te gebruiken.

## Use Brake

### zie afbeeldingen 25 - 26

Trap de remhendel omlaag om de wielen te blokkeren. 25

Licht de remhendel op om de wielen vrij te geven. 26

#### Tip

Zet de rem altijd vast als de wandelwagen moet stilstaan.

## Kap gebruiken

### zie afbeeldingen 27

U kunt de kap openen of opvouwen, trek hem naar voren of naar achteren. 27

## Gebruik afdekking schouderriemen en afdekking kruisriemen

De afdekking van de schouderriemen of van de kruisriemen kan worden losgemaakt van de spanriemen. Ga in omgekeerde volgorde te werk om de afdekking van de schouderriem en de middelrem te monteren.

## Handgreep instellen

### zie afbeeldingen 28

! De hendel is instelbaar in 2 standen.

## Wandelwagen opvouwen

### zie afbeeldingen 29 - 36

! Vouw de kap op voordat u de kinderwagen opvouwt.

Druk op tweede slot 29 - 1 en knijp de vouwgreep in 29 - 2. Druk de wagen naar voren om hem op te vouwen.

! Pak de draagtas, de wagen komt achter u aan. 36

## Accessoires gebruiken

Accessoires kunnen al dan niet apart leverbaar zijn, afhankelijk van de regio.

## Gebruiken met Joie-babyzitje

### zie afbeeldingen 37 - 43

Raadpleeg de volgende instructies bij het gebruik van het Joie-babyzitje i-Level, i-Snug, gemm, i-Gemm.

! Verwijder de armsteun en houd deze vast voordat u het zitje bevestigt.

! Zet de rugleuning in de laagste stand.

! Als u problemen ondervindt bij het gebruik van het babyzitje, raadpleeg dan de betreffende handleidingen.

! Vouw de wandelwagen niet op tijdens het bevestigen van het babyzitje.

## Regenkap gebruiken

### zie afbeeldingen 44 - 45

Om de regenkap te monteren, plaatst u deze over de wandelwagen, waarna u de haken en lusbevestigingen op de regenkap vastzet.

! Voordat u het babyzitje gebruikt, moet u ervoor zorgen dat de rugsteun is ingesteld op de laagste stand en dat het babyzitje is bevestigd. 45

! Gebruik de andere rij lussen en haakbevestigers op de regenkap als u de eenheid in de rijsysteemstand en de wandelwagen gebruikt.

! Controleer altijd op voldoende ventilatie als u de regenkap gebruikt.

! Controleer of de regenkap, als deze niet in gebruik is, schoon en droog is voor u deze opvouwt.

! Vouw de wandelwagen niet op na het monteren van de regenkap.

! Zet uw kind niet bij warm weer in de wandelwagen als de regenkap gemonteerd is.

## Zachte voorwerpen losmaken

### zie afbeeldingen 46 - 57

1. Volg de stappen 46 - 57 om zachte goederen los te maken.

! Bewaar de draad van de kap nadat u deze hebt verwijderd en monteer de kapdraad weer bij het opbouwen van de kap.

2. Om de zachte goederen terug te plaatsen, gaat u in de omgekeerde volgorde te werk.

## Verzorging en onderhoud

### zie afbeeldingen 58

! Het uitneembare kussen van het zitje mag met koud water worden gewassen en te drogen gehangen. Geen bleekmiddel. Raadpleeg het verzorgingslabel voor instructies betreffende reiniging van de stoffen onderdelen van de wandelwagen.

! Gebruik voor het schoonmaken van het frame alleen zeep en warm water. Geen bleekmiddel of schoonmaakmiddelen. Veeg de plastic onderdelen periodiek schoon met een zachte vochtige doek. Droog de metalen onderdelen om de vorming van roest te voorkomen als de wandelwagen in contact is geweest met water.

! Controleer de wandelwagen van tijd tot tijd op losse schroeven, slijtage, scheuren en beschadigde naden. Vervang of herstel de onderdelen als dat nodig is.

! Overmatige blootstelling aan zon of warmte kan vervagen of vervormen van onderdelen veroorzaken.

! Als de wandelwagen nat is geworden, moet u de kap openen en hem laten drogen voordat u hem opbergt.

! Als de wieltjes piepen, moet u dunne olie gebruiken (bijvoorbeeld siliconenspray, antiroest-olie of naaimachine-olie). De olie moet in de as en het wielstel komen. 48

! Als u de wandelwagen op het strand gebruikt, moet u hem goed schoonmaken na het gebruik om alle zand en zout van het mechanisme en de wielen te verwijderen.

Gratulujemy wyboru produktu Joie! Bardzo się cieszymy z możliwości wspólnego podróżowania z Państwem dzieckiem. Podczas podróży z Joie Pact™, używasz wysokiej jakości, wyposażonego w komplet certyfikatów wózka dziecięcego, zgodnego z Europejskimi standardami bezpieczeństwa EN 1888-1:2018. Ten produkt jest odpowiedni dla dzieci o wadze poniżej 15kg. Prosimy o uważne przeczytanie tego podręcznika i wykonanie każdej czynności, aby zapewnić wygodną jazdę i najlepsze zabezpieczenie dziecka.

## WAŻNE-Te instrukcje należy zachować do wykorzystania w przyszłości.

Odwiedź nas pod adresem [joiebaby.com](http://joiebaby.com) w celu pobrania podręczników i sprawdzenia, innych ekscytujących produktów Joie!

Informacje o gwarancji można uzyskać na stronie internetowej, pod adresem [joiebaby.com](http://joiebaby.com)

## Spis treści

Rysunki	1-11
OSTRZEŻENIE	69
Montaż wózka dziecięcego	71
Rozkładanie wózka dziecięcego	71
Montaż i odłączanie kół przednich	71
Montaż i odłączanie kół tylnych	71
Montaż i odłączanie poprzeczki	71
Działania związane z wózkiem dziecięcym	71
Używanie sprzączki	71
Używanie uprząży na ramiona i talie	72
Regulacja oparcia pleców	72
Regulacja oparcia łydek	72
Używanie przedniej blokady obrotu	72
Używanie hamulca	73
Używanie daszka	73
Używanie osłony uprząży na ramiona i osłony uprząży na krocze	73
Uchwyt regulacji	73
Składanie wózka dziecięcego	73
Używanie akcesoriów	73
Używanie z samochodowym fotelikiem dziecięcym Joie	73
Używanie osłony przeciwdeszczowej	74
Odlączanie miękkich elementów	74
Pielęgnacja i konserwacja	74

## Sytuacja zagrożenia

W sytuacji zagrożenia lub po wypadku, najważniejsze jest, aby udzielić dziecku pierwszej pomocy i jak najszybciej poddać je leczeniu medycznemu.

## Informacje o produkcie

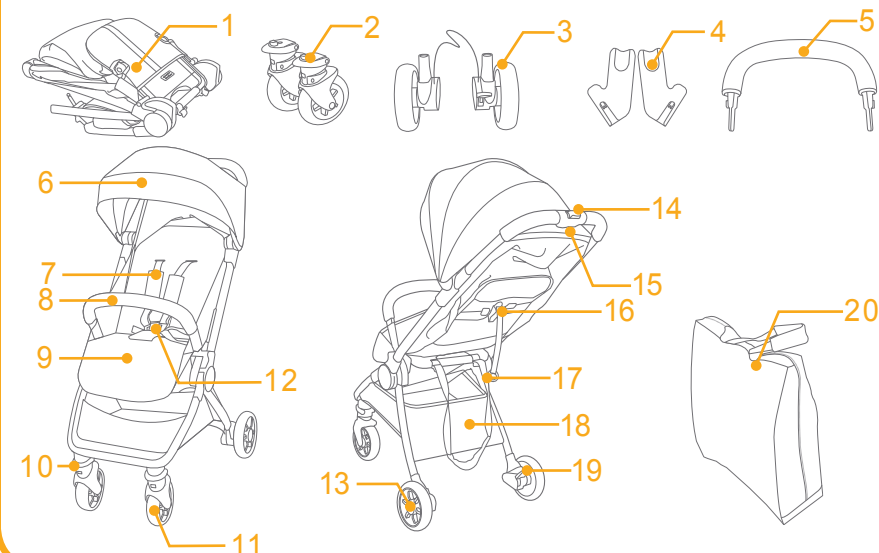
Przed rozpoczęciem używania tego produktu, należy przeczytać wszystkie instrukcje z tego podręcznika. W przypadku jakichkolwiek dalszych pytań, należy się skontaktować ze sprzedawcą. Niektóre funkcje zależą od modelu.

Produkt	Pact Wózek dziecięcy
Dziecko o	wadze poniżej 15kg (od urodzenia-36 miesięcy)
Materiały	Tworzywa sztuczne, metal, tkaniny
Nr patentu	W trakcie patentowania
Wyprodukowano w	Chinach
Nazwa marki	Joie
Strona internetowa	<a href="http://www.joiebaby.com">www.joiebaby.com</a>
Producent	Allison Baby UK Ltd

## Wykaz części

Przed montażem należy się upewnić, że dostępne są wszystkie części. Jeśli którejs z części brakuje, należy się skontaktować z lokalnym sprzedawcą. Do montażu nie są potrzebne żadne narzędzia.

1 Rama wózka dziecięcego	6 Daszek	12 Sprzączka	pleców
2 Koła przednie	7 Uprząż na ramiona	13 Koła tylne	17 Pas do przenoszenia
3 Koła tylne	8 Poprzeczka	14 Druga blokada	18 Kosz
4 Adapter	9 Oparcie łydek	15 Uchwyt składany jedną ręką	19 Dźwignia hamulca
5 Poprzeczka	11 Koła przednie	16 Regulator oparcia	20 Torba do przenoszenia



## Akcesoria (Mogą nie być dostarczone)

Osłona przeciwdeszczowa

Akcesoria mogą być sprzedawane oddzielnie lub w zależności od regionu, mogą nie być dostępne.



# OSTRZEŻENIE

- ! OSTRZEŻENIE Należy zawsze używać systemem przytrzymującym. Pasy bezpieczeństwa i systemy przytrzymujące muszą być używane prawidłowo.
- ! OSTRZEŻENIE Przed użyciem należy się upewnić, że działają wszystkie urządzenia blokujące.
- ! OSTRZEŻENIE Nie należy pozwalać dziecku na zabawę z tym produktem.
- ! OSTRZEŻENIE Przed użyciem wózka dziecięcego lub systemu przytrzymującego dla niemowląt należy sprawdzić prawidłowość ich montażu.
- ! Wymagany montaż przez osobę dorosłą.
- ! Wózek dziecięcy można używać dla dziecka o wadze poniżej 15kg. Nieodpowiednia waga dziecka może spowodować uszkodzenie wózka.
- ! Aby zapobiec niebezpiecznym sytuacjom, niestabilności, w koszu nie należy umieszczać więcej niż 4,5kg bagażu.
- ! Nigdy nie należy zostawiać dziecka bez nadzoru. Dziecko w wózku powinno być zawsze widoczne.
- ! W wózku dziecięcym może znajdować się jednocześnie tylko jedno dziecko. Nigdy nie należy zawieszać torebek, toreb na zakupy, paczek lub akcesoriów na uchwycie lub na daszku.
- ! Nie należy używać akcesoriów niezatwierdzonych przez producenta. Używać należy wyłącznie części zamiennych dostarczonych lub zalecanych przez producenta.
- ! Nigdy nie należy używać akcesoriów, części lub komponentów nie wyprodukowanych lub nie zatwierdzonych przez producenta. Należy dokładnie przeczytać podręcznik.
- ! Przed użyciem tego produktu, należy przeczytać wszystkie instrukcje z tego podręcznika. Ten podręcznik należy zachować do przyszłego użycia. Niestosowanie się do tych ostrzeżeń i instrukcji, może spowodować poważne obrażenia lub śmierć.
- ! Aby uniknąć poważnych obrażeń w wyniku upadku lub zsunienia, należy używać pasa bezpieczeństwa.
- ! Podczas regulacji wózka dziecięcego należy się upewnić, że na ciele dziecka nie ma ruchomych części.
- ! Przed pozwoleniem dziecku na zbliżenie się do wózka należy się upewnić, że wózek dziecięcy jest całkowicie otwarty lub złożony.
- ! Jeśli nie będzie używana uprząż, dziecko może ześlizgnąć się do szczebli na nogi i udusić się.
- ! Nigdy nie należy używać wózka dziecięcego na schodach lub w windach.
- ! Należy unikać obiektów o wysokich temperaturach, płynów i elektroniki.
- ! Nigdy nie należy pozwalać dziecku stawać w wózku lub siadać w wózku głową zwrócona w kierunku wózka.
- ! Wózka dziecięcego nigdy nie należy ustawiać na drogach, stokach lub w niebezpiecznych miejscach.
- ! Aby uniknąć uduszenia, NIE wolno umieszczać na szyi dziecka elementów ze sznurkiem, pozostawiać wiszących sznurków na tym produkcie lub wiązać sznurków do zabawek.
- ! Wszelkie obciążenia przymocowane do uchwytu i/lub do oparcia tylnego i/lub z boków wózka dziecięcego, wpłyną na stabilność wózka dziecięcego.
- ! NIE należy podnosić wózka dziecięcego, gdy znajduje się w nim dziecko.
- ! NIE należy używać kosza do przewożenia dziecka.
- ! Aby zapobiec przewróceniu, nigdy nie należy pozwalać dziecku na wspinanie się po wózku dziecięcym. Należy zawsze wkładać i wyjmować dziecko z wózka dziecięcego.
- ! Aby uniknąć uchwycenia palców, podczas składania i rozkładania wózka dziecięcego należy zachować ostrożność.
- ! Aby uniknąć obrażeń, podczas składania i rozkładania tego produktu należy się upewnić, że dziecko znajduje się dalej.
- ! Aby zapewnić bezpieczeństwo dziecka, przed użyciem wózka dziecięcego należy się upewnić, że wszystkie części zostały złożone i przymocowane prawidłowo.
- ! Aby uniknąć uduszenia, należy się upewnić, że dziecko znajduje się dalej od daszka lub osłony przeciwdeszczowej.
- ! Podczas parkowania wózka dziecięcego należy zawsze uruchamiać hamulce.
- ! Należy przerwać używanie wózka jeśli zostanie on uszkodzony lub pęknięty.
- ! Wózek dziecięcy można używać wyłącznie z prędkością spacerową. Ten produkt nie jest przeznaczony do używania podczas joggingu.
- ! Aby uniknąć uduszenia, przed użyciem tego produktu należy usunąć plastikowy worek i materiały pakujące. Plastikowy worek i materiały pakujące należy trzymać z dala od niemowląt i dzieci.
- ! Ten produkt nie jest odpowiedni do biegania lub jazdy na wrotkach.
- ! Wózek dziecięcy przeznaczony dla dzieci od urodzenia, dla noworodków powinien być używany w najbardziej nachylonej pozycji.
- ! Podczas wkładania i wyjmowania dzieci należy uruchomić urządzenie parkingowe.
- ! Systemy przytrzymujących dla niemowląt, używane w połączeniu z podstawą w pojeździe, nie zastąpią łóżeczka dziecięcego lub łóżka. Gdy dziecko chce spać, należy je umieścić w odpowiednim wózku dziecięcym, łóżeczku dziecięcym lub na łóżku.

## Montaż wózka dziecięcego

Przed montażem i rozpoczęciem używania tego produktu, należy przeczytać wszystkie instrukcje z tego podręcznika.

### Rozkładanie wózka dziecięcego

patrz rysunki 1 - 4

! Przed kontynuowanie używania należy sprawdzić, czy wózek dziecięcy jest całkowicie zatrzaśnięty.

### Montaż i odłączanie kół przednich

patrz rysunki 5 - 6

### Montaż i odłączanie kół tylnych

patrz rysunki 7 - 10

! Koła tylne można zdemontować, naciskając przyciski zatrasku. 9

! Zawień kosz dookoła ramy i osi hamulca, a następnie zatrzaśnij na swoim miejscu. 10

### Montaż i odłączanie poprzeczki

patrz rysunki 11 - 13

Całkowicie złożony wózek dziecięcy jest pokazany na rysunku 14

## Działanie wózka dziecięcego

### Używanie sprzączki

patrz rysunki 15 - 16

Zwolnienie sprzączki

Naciśnij środkowy przycisk, aby zwolnić sprzączkę. 15

Sprzączka blokady

Dopasuj sprzączkę pasa talii do sprzączki na ramiona 16 - 1, i zatrzaśnij w środkowej sprzączce. 16 - 2 Dźwięk "kliknięcia" oznacza, że sprzączka jest całkowicie zatrzaśnięta. 16 - 3

! Aby uniknąć poważnych obrażeń w wyniku upadku lub zsunięcia, należy zawsze zabezpieczyć dziecko uprzężą.

! Należy się upewnić, że dziecko jest dobrze zabezpieczone. Odległość pomiędzy dzieckiem a uprzężą na ramiona powinna wynosić około grubości jednej dłoni.

! Nie należy krzyżować pasów na ramiona. Może to spowodować nacisk na kark dziecka.

### Używanie uprzęży na barki i talię

patrz rysunki 17 - 20

! Aby zabezpieczyć dziecko przed upadkiem, po umieszczeniu dziecka na siedzeniu, należy sprawdzić, czy uprzęż na ramiona i na talię jest założona na właściwej wysokości i, czy ma odpowiednią długość.

17 - 1 Kotwa A uprzęży na ramiona

17 - 2 Kotwa B uprzęży na ramiona

17 - 3 Regulator przesuwu

Dla większego dziecka, należy użyć kotwę A uprzęży i najwyższe szczeliny uprzęży na ramiona. Dla większego dziecka, należy użyć kotwę B uprzęży i najniższe szczeliny uprzęży na ramiona.

Aby wyregulować pozycję kotwy uprzęży na ramiona, obróć kotwę w celu wypoziomowania ze stroną skierowaną do przodu.

Przełóż ją przez szczelinę uprzęży na ramiona, od tyłu do przodu. 18 Przełóż ponownie przez szczelinę najbliższą wysokości ramion dziecka. 19

Użyj regulatora przesuwu do zmiany długości uprzęży. 20 - 1

Naciśnij przycisk 20 - 2, jednocześnie pociągając uprzęż talii do prawidłowej długości. 20 - 3

### Regulacja oparcia na plecy

patrz rysunki 21 - 22

Nachylenie oparcia pleców

Pociągnij oparcie pleców do tyłu, naciskając przycisk na środku regulatora kąta. 21

Podnoszenie oparcia pleców

Naciśnij oparcie pleców do przodu, pociągając za uprzęż na końcu regulatora kąta. 22

! Upewnij się, że nachylenie jest ustawione prawidłowo do używania.

### Regulacja oparcia łydek

patrz rysunki 23

Oparcie łydek ma 2 pozycje.

Unieś oparcie łydek

Aby unieść oparcie łydek, pchnij je do góry. Dźwięk "kliknięcia" oznacza, że oparcie łydek jest całkowicie zablokowane.

Opuść oparcie łydek

Naciśnij przyciski regulacji po obu stronach oparcia łydek 23 - 1 i obróć oparcie w dół. 23 - 2

### Używanie przedniej blokady obrotu

patrz rysunki 24

Naciśnij przednie blokady obrotu, aby utrzymać kierunek ruchu. 24

**Wskazówka** Zalecana do używania blokady obrotu na nierównych powierzchniach.

## Używanie hamulca patrz rysunki 25 - 26

Aby zablokować koła, naciśnij stopą dźwignię hamulca. 25

Aby zwolnić koła, wystarczy podnieść dźwignię hamulca do góry. 26

**Wskazówka** Należy zawsze uruchamiać hamulec postojowy, gdy wózek dziecięcy się nie porusza.

## Używanie daszka patrz rysunki 27

Daszek można otwierać lub składać, należy go pociągnąć do przodu lub do tyłu. 27

## Używanie osłony uprząży na ramiona i osłony uprząży na krocze

Oslonę uprząży na ramiona i oslonę uprząży na krocze można odłączyć od pasa. Aby zamontować oslonę uprząży na ramiona i oslonę uprząży na krocze należy wykonać podane czynności w kolejności odwrotnej.

## Regulacja uchwytu patrz rysunki 28

! Uchwyt można ustawić w 2 pozycjach.

## Składanie wózka dziecięcego patrz rysunki 29 - 36

! Przed złożeniem wózka dziecięcego należy złożyć daszek.

Naciśnij drugą blokadę 29 - 1 i ściśnij przycisk składania jedną ręką 29 - 2. Pchnij wózek dziecięcy do przodu, aby go złożyć.

! Chwyć za torbę do przenoszenia, wózek dziecięcy przesuń się z tobą. 36

## Używanie akcesoriów

W zależności od regionu, akcesoria mogą być sprzedawane oddzielnie lub mogą nie być dostępne.

## Używanie z urządzeniem przytrzymującym dla dzieci Joie patrz rysunki 37 - 43

Podczas używania z urządzeniem przytrzymującym dla dzieci Joie i-Level, i-Snug, gemm, i-Gemm, należy sprawdzić następujące instrukcje.

! Należy zdjąć poprzeczkę na ramiona i przytrzymać ją pewnie, przed montażem urządzenia przytrzymującego dla dzieci.

! Należy ustawić oparcie na plecy w najniższej pozycji.

! W przypadku jakichkolwiek problemów z używaniem urządzeń przytrzymujących dla niemowląt, należy sprawdzić ich własne instrukcje.

! Nie należy składać wózka dla dzieci podczas zakładania urządzenia przytrzymującego dla dzieci.

## Używanie osłony przeciwdeszczowej patrz rysunki 44 - 45

W celu montażu osłony przeciwdeszczowej, należy ją umieścić nad wózkiem dziecięcym, a następnie założyć zatrzaski i haczyki oraz zapięcia z pętelkami na osłonie przeciwdeszczowej.

! Przed użyciem osłony przeciwdeszczowej, należy sprawdzić, czy ustawiono oparcie pleców na najniższą pozycję oraz, czy zostało zamocowane urządzenie przytrzymujące dla dzieci. 45

! Podczas używania urządzenia w trybie systemu podróży i w oddzielnym wózku dziecięcym należy stosować różne rzędy mocowań haczykowo-pętelkowych na osłonie przeciwdeszczowej.

! Podczas używania osłony przeciwdeszczowej należy zawsze sprawdzić jej wentylację.

! Po zakończeniu używania, przed złożeniem osłony przeciwdeszczową należy oczyścić i wysuszyć.

! Po zamontowaniu osłony przeciwdeszczowej nie należy składać wózka dziecięcego.

! Nie należy umieszczać dziecka w wózku dziecięcym z założoną osłoną przeciwdeszczową, jeśli na zewnątrz jest gorąco.

## Odłączanie miękkich wkładek patrz rysunki 46 - 57

1. W celu odłączenia miękkich wkładek wykonaj kroki 46 - 57

! Po odłączeniu drut daszka należy przytrzymać, a podczas montażu drut daszka należy zamontować.

2. Aby ponownie założyć miękkie wkładki należy powtórzyć wymienione powyżej procedury w kolejności odwrotnej.

## Pielęgnacja i konserwacja patrz rysunki 58

! Zdemowaną wkładkę siedzenia można prać w zimnej wodzie i wysuszyć bez wyżymania. Nie należy stosować wybielaczy. Należy sprawdzić na etykiecie pielęgnacji instrukcje czyszczenia części materiałowych wózka dziecięcego.

! Do czyszczenia ramy wózka dziecięcego, należy używać tylko mydła domowego i ciepłej wody. Nie należy stosować wybielacza lub detergentu. Należy okresowo wytrzeć plastikowe części miękką, wilgotną szmatką. Metalowe części należy zawsze wytrzeć do sucha, aby zapobiec korozji, jeśli wózek dziecięcy miał kontakt z wodą.

! Od czasu do czasu należy sprawdzić wózek dziecięcy pod kątem poluzowania śrub, zużytych części, przetartego materiału lub szwów. W razie potrzeby części należy wymienić lub naprawić.

! Nadmierna ekspozycja na słońce lub ciepło, może spowodować wypłowienie lub wygięcie części.

! Jeśli wózek dziecięcy zostanie zamoczony, przed przechowywaniem należy otworzyć daszek i poczekać na dokładne wyschnięcie.

! Jeśli koła skrzypią, należy użyć lekkiego oleju (np., aerozol silikonowy, olej antykorozyjny lub olej maszyny do szycia). Ważne jest, aby nasmarować zespół osi o kół. 58

! Gdy wózek dziecięcy był używany na plaży, po użyciu należy go całkowicie oczyścić, aby usunąć piasek i sól z mechanizmów i zespołów kół.

# RU Вас приветствует компания Joie™

Поздравляем — вы стали частью семьи Joie! Мы рады отправиться в путь вместе с вами и вашим малышом. Joie Pact™ — это высококачественная коляска, сертифицированная по европейскому стандарту безопасности EN 1888-1:2018. Данная коляска подходит для детей весом до 15 кг. Внимательно прочтите настоящее руководство и выполняйте все рекомендации, чтобы обеспечить удобство в поездке и максимальную защиту ребенка.

## ВАЖНО! Сохраните настоящее руководство для использования в будущем.

Скачать руководства и ознакомиться с другой замечательной продукцией Joie можно на веб-сайте [joiebaby.com](http://joiebaby.com).

Сведения о гарантии опубликованы на веб-сайте [joiebaby.com](http://joiebaby.com)

## Содержание

Рисунки	1-11
ПРЕДУПРЕЖДЕНИЯ	77
Сборка коляски	79
Раскладывание коляски	79
Сборка и установка передних колес	79
Сборка и установка задних колес	79
Сборка и установка поручня	79
Использование коляски	79
Использование пряжки	79
Использование плечевых и поясных ремней	80
Регулировка положения спинки	80
Регулировка положения опоры для ног	80
Использование фиксаторов передних колес	80
Использование тормоза	81
Использование козырька	81
Использование накладок для плечевых ремней и пахового ремня	81
Регулировка положения рукоятки	81
Складывание коляски	81
Использование принадлежностей	81
Использование коляски с автолюлькой Joie	81
Использование дождевика	82
Снятие тканевых деталей	82
Уход за изделием	82

## Чрезвычайные ситуации

В случае возникновения чрезвычайного происшествия или аварийной ситуации следует незамедлительно оказать ребенку первую помощь и обратиться к врачу.

## Информация об изделии

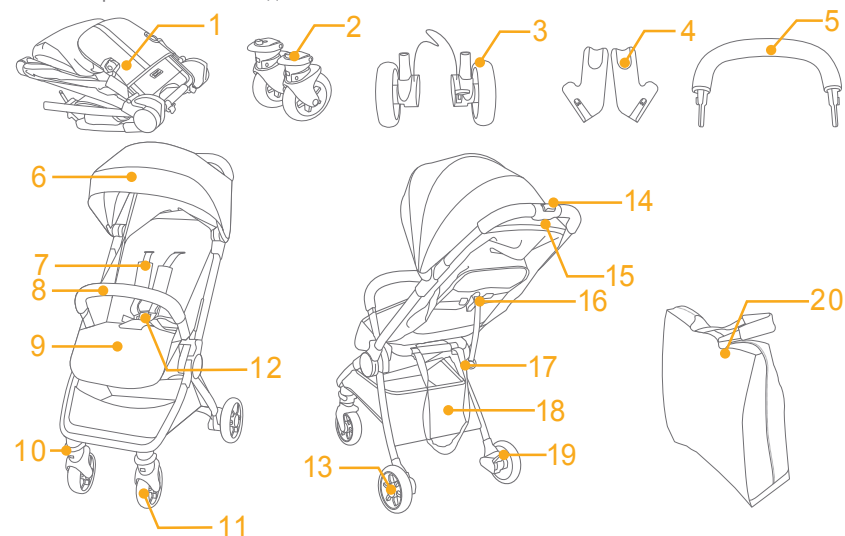
Перед использованием данного изделия прочтите все инструкции в настоящем руководстве. С вопросами обращайтесь в магазин, где было приобретено изделие. Некоторые элементы могут отличаться у различных моделей.

Изделие	коляска Pact
Подходит для детей	весом до 15 кг (с рождения до 36 месяцев)
Материалы	пластик, металл, ткань
Номер патента	патенты оформляются
Страна производства	КНР
Марка	Joie
Веб-сайт	<a href="http://www.joiebaby.com">www.joiebaby.com</a>
Производитель	Allison Baby UK Ltd

## Внешний вид изделия

Перед сборкой данного изделия проверьте наличие всех деталей. В случае отсутствия любых деталей обратитесь в магазин, где было приобретено данное изделие. Для сборки не требуются инструменты.

1 Рама коляски	8 Поручень	14 Дополнительный фиксатор	17 Ремень для переноски
2 Передние колеса	9 Опора для ног	15 Рукоятка для складывания коляски одной рукой	18 Вещевая корзина
3 Задние колеса	10 Фиксатор переднего колеса	16 Регулятор наклона спинки	19 Педаль тормоза
4 Адаптер	11 Передние колеса		20 Сумка для переноски
5 Поручень	12 Пряжка		
6 Козырек	13 Задние колеса		

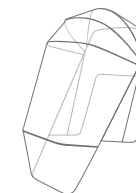


## Принадлежности

(могут не входить в комплект поставки)

Дождевик

Принадлежности могут продаваться отдельно или не предлагаться в некоторых регионах.



# ПРЕДУПРЕЖДЕНИЯ

- ! **ВНИМАНИЕ** Всегда используйте удерживающую систему. Необходимо надлежащим образом использовать ремни безопасности и удерживающую систему.
- ! **ВНИМАНИЕ** Прежде чем использовать коляску, убедитесь, что задействованы все фиксаторы.
- ! **ВНИМАНИЕ** Не позволяйте ребенку играть с данным изделием.
- ! **ВНИМАНИЕ** Перед использованием коляски убедитесь, что все крепежные устройства на коляске или на автолюльке задействованы надлежащим образом.
- ! Сборку должны осуществлять взрослые.
- ! В коляске допускается перевозить детей весом не более 15 кг. Перевозка в коляске детей большего веса может привести к ее повреждению.
- ! Во избежание опасного опрокидывания коляски не помещайте в вещевую корзину предметы весом более 4,5 кг.
- ! Категорически запрещается оставлять ребенка без присмотра. Ребенок, находящийся в коляске, должен быть всегда под присмотром.
- ! В коляске допускается перевозить только одного ребенка. Запрещается помещать на рукоятку и козырек кошельки, сумки, свертки и принадлежности.
- ! Не разрешается использовать принадлежности, не одобренные производителем коляски. Допускается использовать только запасные части, поставляемые или рекомендованные производителем коляски.
- ! Категорически запрещается использовать принадлежности, детали и компоненты, не произведенные и не утвержденные производителем данного изделия. Пожалуйста, внимательно прочтите настоящее руководство по эксплуатации.
- ! Перед использованием данного изделия прочтите все инструкции в настоящем руководстве. Сохраните настоящее руководство по эксплуатации для использования в будущем. Несоблюдение этих предупреждений и инструкций может привести к причинению серьезного вреда здоровью ребенка или летальному исходу.
- ! Во избежание причинения серьезного вреда здоровью ребенка в результате падения или выскальзывания из коляски обязательно используйте ремни безопасности.
- ! Во время регулировки коляски тело ребенка не должно соприкасаться с какими бы то ни было подвижными деталями.
- ! Не разрешайте ребенку подходить к коляске, если она не полностью разложена или сложена.
- ! Если ребенок не пристегнут ремнем, он может выскользнуть через нижнюю часть коляски, что может привести к удушению.
- ! Категорически запрещается использовать коляску на лестницах и эскалаторах.
- ! Коляску необходимо держать вдали от горячих предметов, жидкостей и электронных приборов.
- ! Никогда не разрешайте ребенку стоять на коляске, а также сидеть на коляске лицом к рукоятке.
- ! Категорически запрещается помещать коляску на дороги, откосы и в другие опасные места.
- ! Во избежание удушения ЗАПРЕЩАЕТСЯ помещать предметы с лентами и веревками вокруг шеи ребенка, свешивать ленты и веревки с коляски, а также прикреплять веревки и ленты к игрушкам.
- ! Прикрепление любого груза к рукоятке, к спинке или боковым частям коляски приведет к нарушению устойчивости коляски.
- ! ЗАПРЕЩАЕТСЯ поднимать коляску с находящимся в ней ребенком.
- ! ЗАПРЕЩАЕТСЯ помещать ребенка в вещевую корзину.
- ! Во избежание опрокидывания не позволяйте ребенку карабкаться по коляске. Усаживать и вынимать ребенка из коляски должен взрослый.
- ! Во избежание зажатия соблюдайте осторожность при складывании и раскладывании коляски.
- ! Во избежание причинения вреда здоровью ребенка не складывайте и не раскладывайте коляску вблизи ребенка.
- ! С целью обеспечения безопасности ребенка перед использованием коляски необходимо убедиться, что все детали собраны и закреплены надлежащим образом.
- ! Во избежание удушения удостоверьтесь, что козырек и дождевик не касаются ребенка.
- ! Остановив коляску, обязательно задействуйте тормоза.
- ! В случае повреждения или поломки коляски ее необходимо прекратить использовать.
- ! Коляску допускается катить только со скоростью пешей ходьбы. Коляска не предназначена для использования во время бега.
- ! Во избежание удушения, перед использованием данного изделия снимите с него пластиковый пакет и упаковочные материалы. Храните пластиковый пакет и упаковочные материалы в местах, не доступных для детей.
- ! Данное изделие не предназначено для бега или катания на роликах.
- ! Для новорожденных спинку коляски рекомендуется опустить в самое низкое положение.
- ! Перед тем как помещать ребенка в коляску или извлекать его из коляски, необходимо задействовать тормоза.
- ! Автолюлька, установленная на раму данной коляски, не заменяет люльку или кроватку для новорожденных. Чтобы уложить ребенка спать, его необходимо перенести в подходящую лежачую коляску, люльку или кровать.

## Сборка коляски

Перед сборкой и использованием данного изделия прочтите все инструкции в настоящем руководстве.

### Раскладывание коляски

См. рисунки 1 - 4

! Перед использованием удостоверьтесь, что коляска полностью зафиксирована в разложенном состоянии.

### Установка и снятие передних колес

См. рисунки 5 - 6

### Установка и снятие задних колес

См. рисунки 7 - 10

! Чтобы снять задние колеса, нажмите кнопки фиксаторов. 9

! Оберните застежки вещевой корзины вокруг рамы и оси тормоза, а затем застегните их. 10

### Сборка и установка поручня

См. рисунки 11 - 13

Полностью собранная коляска показана на рисунке 14

## Использование коляски

### Использование пряжки

См. рисунки 15 - 16

Расстегивание пряжки

Чтобы расстегнуть пряжку, нажмите центральную кнопку. 15

Застегивание пряжки

Совместите пряжку на поясном ремне с пряжкой на плечевом ремне 16 - 1, и защелкните их в центральной пряжке. 16 - 2 Когда пряжка застегнется должным образом, прозвучит щелчок. 16 - 3

! Во избежание причинения тяжкого вреда здоровью ребенка в результате падения или выскальзывания из коляски обязательно пристегивайте ребенка ремнем.

! Удостоверьтесь, что ремни плотно прилегают к телу ребенка. Расстояние между телом ребенка и плечевыми ремнями не должно превышать толщину ладони.

! Не перекрещивайте плечевые ремни. Это приведет к сдавливанию шеи ребенка.

### Использование плечевых и поясных ремней

См. рисунки 17 - 20

! Во избежание выпадения ребенка из коляски, посадив его в коляску, удостоверьтесь, что плечевые и поясные ремни установлены на правильную высоту и имеют подходящую длину.

17 - 1 Фиксатор плечевого ремня А

17 - 2 Фиксатор плечевого ремня В

17 - 3 Регулятор длины ремня

Для ребенка большого роста используйте фиксаторы плечевых ремней А и верхние прорезы для ремней. Для ребенка небольшого роста используйте фиксаторы плечевых ремней В и нижние прорезы для ремней.

Для регулировки положения фиксатора плечевого ремня разверните его плашмя и торцом вперед.

Проденьте фиксатор через прорезь для плечевого ремня сзади вперед. 18 Снова проденьте его через прорезь, расположенную ближе всего к плечам ребенка. 19

С помощью регулятора длины отрегулируйте длину ремней. 20 - 1

Нажмите на кнопку 20 - 2, и одновременно вытяните поясной ремень на требуемую длину. 20 - 3

### Регулировка положения спинки

См. рисунки 21 - 22

Опускание спинки

Оттяните спинку назад, удерживая нажатой кнопку в центре регулятора наклона. 21

Поднятие спинки

Толкайте спинку вперед и одновременно тяните за ремень на конце регулятора наклона. 22

! Установите подходящий для использования наклон спинки.

### Регулировка положения опоры для ног

См. рисунки 23

Опору для ног можно установить в 2 положения.

Поднятие опоры для ног

Чтобы поднять опору для ног, потяните ее вверх. Когда опора зафиксирована должным образом, прозвучит щелчок.

Опускание опоры для ног

Нажмите на регулировочные кнопки 23 - 1 по обоим бокам опоры для ног и опустите ее. 23 - 2

### Использование фиксаторов передних колес

См. рисунки 24

Поднимите фиксаторы передних колес, чтобы они не поворачивались. 24

**Совет**

фиксаторы передних колес рекомендуется использовать на неровных поверхностях.

## Использование тормоза

См. рисунки 25 - 26

Чтобы заблокировать колеса, опустите ногой педаль тормоза вниз. 25

Чтобы разблокировать колеса, поднимите педаль тормоза вверх. 26

### Совет

Всегда задействуйте тормоз, если не перемещаете коляску.

## Использование козырька

См. рисунки 27

Козырек можно разложить, сложить, переместить вперед и переместить назад. 27

## Использование накладок для плечевых ремней и пахового ремня

Накладки наплечных и поясных ремней можно снять. Чтобы надеть накладки на плечевые и поясные ремни выполните операции в обратном порядке.

## Регулировка положения рукоятки

См. рисунки 28

! Предусмотрено 2 положения рукоятки.

## Складывание коляски

См. рисунки 29 - 36

! Перед складыванием коляски необходимо сложить козырек.

Нажмите на второй фиксатор 29 - 1 и сожмите кнопку для складывания коляски одной рукой 29 - 2.

Нажмите на коляску вперед, чтобы сложить ее.

! Для транспортировки коляски используйте сумку для переноски. 36

## Использование принадлежностей

Принадлежности могут продаваться отдельно или не предлагаться в некоторых регионах.

## Использование коляски с автолюлькой Joie

См. рисунки 37 - 43

При использовании коляски с автолюлькой Joie i-Level, i-Snug, gemm, i-Gemm следуйте приведенным ниже инструкциям.

! Снимите поручень и уберите его, перед тем как устанавливать автолюльку.

! Установите спинку коляски в самое нижнее положение.

! В случае возникновения любых проблем при использовании автолюльки ознакомьтесь с руководством по эксплуатации этой системы.

! Не складывайте коляску с установленной автолюлькой.

## Использование дождевика

См. рисунки 44 - 45

Чтобы установить дождевик, поместите его на коляску, затем застегните застегжки и липучки на дождевике.

! Перед использованием дождевика установите спинку в самое низкое положение и закрепите автолюльку. 45

! Используйте другой ряд липучек на дождевике в случае его установки на коляску в дорожном режиме и в режиме коляски.

! При использовании дождевика всегда проверяйте наличие вентиляции.

! Когда дождевик не используется, перед складыванием очищайте и просушивайте его.

! Не складывайте коляску с установленным дождевиком.

! Не помещайте ребенка в коляску с установленным дождевиком в жаркую погоду.

## Снятие тканевых деталей

См. рисунки 46 - 57

1. Выполните шаги 46 - 57 чтобы снять тканевые детали.

! После снятия козырька храните в надежном месте его тесьму, при сборке козырька обязательно присоединяйте его тесьму.

2. Чтобы снова надеть тканевые детали, выполните приведенные выше шаги в обратном порядке.

## Уход за изделием

См. рисунки 58

! Съёмную подкладку сиденья можно стирать холодной водой и сушить естественным образом. Не отбеливать Инструкции по чистке тканевых деталей коляски см. на этикетке по уходу.

! Для чистки рамы коляски используйте только бытовое мыло и теплую воду. Не допускается использование отбеливателей и моющих средств. Периодически протирайте начисто пластиковые детали мягкой влажной тканью. Если коляска подвергалась воздействию воды, обязательно просушивайте металлические детали во избежание образования ржавчины.

! Время от времени проверяйте коляску на предмет отсутствия ослабленных винтовых соединений, изношенных деталей, порванных тканей и швов. Заменяйте или ремонтируйте детали по необходимости.

! Чрезмерное воздействие солнечного света может повлечь выцветание и деформацию деталей изделия.

! Если коляска намочена, разложите козырек и дайте коляске полностью высохнуть, прежде чем помещать ее на хранение.

! Если колеса скрипят, слегка смажьте их (например, силиконовым спреем, маслом от ржавчины или маслом для швейных машин). Необходимо нанести масло на ось и во втулку колеса. 58

! После использования коляски на пляже полностью очистите коляску, чтобы удалить песок и соль с механизмов и колес.

# TR Joie™ 'ye Hoş Geldiniz

Joie ailesine katıldığımız için tebrikler! Çocuğunuzla olan yolculuğunuzda size katılmaktan büyük bir heyecan duyuyoruz. Joie Pact™ ile seyahat ederken, EN 1888-1:2018 Avrupa güvenlik standartlarıyla onaylanmış, yüksek kaliteli, tamamen sertifikalı bir bebek arabası kullanırsınız. Bu ürün, 15 kg altındaki çocuklar için kullanıma uygundur. Rahat bir sürüş ve çocuğunuz için en iyi korumayı sağlamak üzere lütfen bu kılavuzu dikkatlice okuyun ve her bir adımı izleyin.

## ÖNEMLİ-Bu talimatları, ileride başvurmak üzere saklayın.

Kılavuzları indirmek ve daha heyecan verici Joie ürünlerine bakmak için bizi joiebaby.com adresinden ziyaret edin!

Garanti bilgileri için lütfen joiebaby.com adresindeki web sitemizi ziyaret edin.

## İçindekiler

Şekiller	1-11
UYARI	85
Bebek Arabası Montajı	87
Bebek Arabasını Açma	87
Ön Teker Monte Etme ve Çıkarma	87
Arka Teker Monte Etme ve Çıkarma	87
Kolçağı Monte Etme ve Çıkarma	87
Bebek Arabası Kullanımı	87
Toka Kullanımı	87
Omuz ve Bel Kayışlarının Kullanımı	88
Arkalık Ayarı	88
Baldır Desteği Ayarı	88
Ön Döndürme Kilidinin Kullanımı	88
Fren Kullanımı	89
Tente Kullanımı	89
Omuz Kayışı Kılıfı ve Kasık Kayışı Kılıfı Kullanımı	89
Kulpu Ayarlama	89
Bebek Arabasını Katlama	89
Aksesuarların Kullanımı	89
Joie Child koltuğuyla kullanım	89
Yağmurluk Kullanımı	90
Tekstil Malzemelerini Çıkarma	90
Bakım ve Koruma	90

## Acil durum

Acil durum veya kaza hâlinde, çocuğunuza hemen ilk yardım ve tıbbi tedavi uygulanması çok önemlidir.

## Ürün Bilgisi

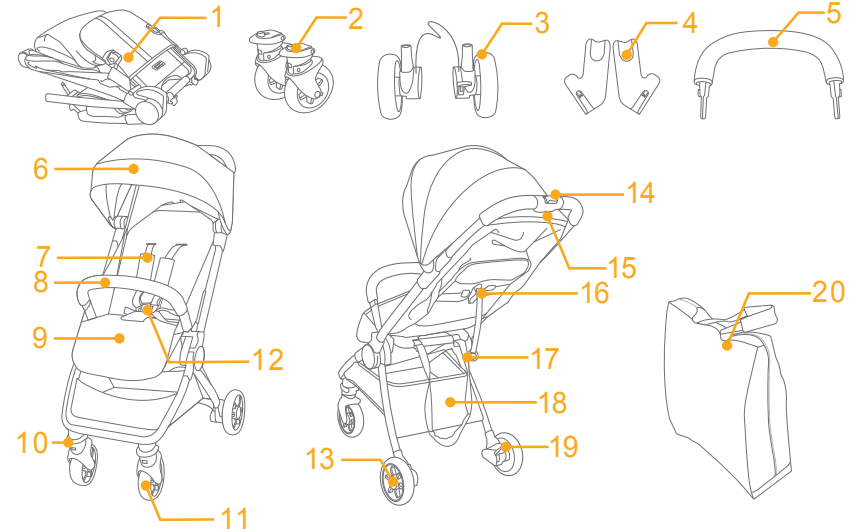
Bu ürünü kullanmadan önce bu kılavuzdaki tüm talimatları okuyun. Sorularınız varsa lütfen satıcıyla iletişime geçin. Bazı özellikler modele bağlı olarak değişebilir.

Ürün	Pact Bebek Arabası
Uygunluk	15 kg altındaki çocuklar (doğum-36 ay)
Malzemeler	Plastik, metal, kumaş
Patent No.	Patentler beklenmemektedir
Çin'de	üretilmiştir
Marka	Joie
Web sitesi	www.joiebaby.com
Üretici	Allison Baby UK Ltd

## Parça Listesi

Montajdan önce tüm parçaların olduğundan emin olun. Eksik parça varsa lütfen yerel satıcınıza başvurun. Montaj için alet gerekli değildir.

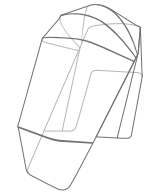
1 Bebek Arabası Çerçevesi	6 Tente	12 Toka	17 Taşıma Kayışı
2 Ön Teker	7 Omuz Kayışı	13 Arka Teker	18 Depolama Sepeti
3 Arka Teker	8 Kolçak	14 İkincil Kilit	19 Fren Kolu
4 Adaptör	9 Baldır Desteği	15 Tek Elle Katlama Kulpu	20 Taşıma Çantası
5 Kolçak	10 Döndürme Kilidi	16 Arkalık Ayarlayıcı	



## Aksesuarlar (dâhil olmayabilir)

Yağmurluk

Aksesuarlar, bölgeye bağlı olarak ayrı satılabilir veya mevcut olmayabilir.



## UYARI

- ! UYARI Mutlaka emniyet sistemi kullanın. Emniyet kemerleri ve bağlama sistemleri doğru kullanılmalıdır.
- ! UYARI Kullanmadan önce tüm kilitleme mekanizmalarının takıldığından emin olun.
- ! UYARI Çocuğunuzun bu ürünle oynamasına izin vermeyin.
- ! UYARI Kullanmadan önce çocuk arabası gövdesi veya çocuk koltuğu bağlantı mekanizmalarının doğru biçimde takıldığını kontrol edin.
- ! Montaj yetiştin tarafından yapılmalıdır.
- ! Bebek arabasını 15 kilonun altındaki çocukla kullanın. Sığmayan çocuk bebek arabasında hasara neden olur.
- ! Tehlikeli, dengesiz bir durumu önlemek için, depolama sepetine 4,5 kg ağırlıktan fazlasını koymayın.
- ! Çocuğunuzu kesinlikle yalnız bırakmayın. Bebek arabasında iken, çocuğu hep göz önünde tutun.
- ! Bebek arabasını aynı anda yalnızca bir çocukla kullanın. Kulpa veya tenteye asla cüzdan, alışveriş torbası, koli ya da aksesuar koymayın.
- ! Üretici tarafından onaylanmamış aksesuarlar kullanılmamalıdır. Yalnızca üretici tarafından sağlanan veya önerilen yedek parçalar kullanılmalıdır.
- ! Üretici tarafından üretilmemiş ya da onaylanmamış aksesuarları, parçaları veya bileşenleri asla kullanmayın. Lütfen talimat kılavuzunu dikkatlice okuyun.
- ! Ürünü kullanmadan önce lütfen kılavuzdaki tüm talimatları okuyun. İleride kullanmak için lütfen talimat kılavuzunu saklayın. Bu uyarılara ve talimatlara uymamak ciddi yaralanma ya da ölümle sonuçlanabilir.
- ! Düşme veya kayma nedeniyle ciddi yaralanmayı önlemek için mutlaka emniyet kemeri kullanın.
- ! Bebek arabasını ayarlarken, çocuğunuzun gövdesinin hareketli parçalardan uzak olduğundan emin olun.
- ! Çocuğunuzun yaklaşmasına izin vermeden önce bebek arabasının tamamen açıldığından veya katlandığından emin olun.
- ! Kayış kullanılmazsa, çocuk bacak açıklıklarına kayabilir ve boğulabilir.
- ! Bebek arabasını sabit ya da yürüyen merdivenlerde asla kullanmayın.
- ! Yüksek sıcaklıktaki nesnelere, sıvılardan ve elektronik aygıtlardan uzak tutun.
- ! Çocuğunuzun bebek arabasında ayağa kalkmasına veya kafasını arabanın önüne doğru uzatmış biçimde oturmasına asla izin vermeyin.
- ! Bebek arabasını yollara, eğimli yerlere veya tehlikeli alanlara asla bırakmayın.

- ! Boğulmayı önlemek için, çocuğunuzun boynunun etrafında ipli nesnelere bulundurmuyun, üründen ipler asmayın veya oyuncaklara ip bağlamayın.
- ! Kulpa, arkalığın sırt kısmına ve/veya bebek arabasının yan taraflarına takılan yükler bebek arabasının dengesini etkileyecektir.
- ! Çocuk içinde otururken bebek arabasını yukarı kaldırmayın.
- ! Depolama sepetini çocuk taşıma aracı olarak kullanmayın.
- ! Devrilmeyi önlemek için, çocuğunuzun bebek arabasına tırmanmasına asla izin vermeyin. Her zaman çocuğu havaya kaldırarak bindirin ve indirin.
- ! Bebek arabasını katlarken ve açarken parmağınızı sıkıştırmamaya dikkat edin.
- ! Yaralanmayı önlemek için, bu ürünü açarken ve katlarken çocuğunuzun uzakta olduğundan emin olun.
- ! Çocuğunuzun güvenliğini sağlamak için, bebek arabasını kullanmadan önce lütfen tüm parçaların monte edildiğinden ve düzgün biçimde sabitlendiğinden emin olun.
- ! Boğulmayı önlemek için, çocuğunuzun tenteden veya yağmurluktan uzak olduğundan emin olun.
- ! Bebek arabasını park ederken her zaman frenleri etkinleştirin.
- ! Hasar görürse veya kırılırsa bebek arabasını kullanmayı bırakın.
- ! Bebek arabası yalnızca yürüme hızında kullanılmalıdır. Bu ürün koşu yaparken kullanıma uygun değildir.
- ! Boğulmayı önlemek için, ürünü kullanmadan önce plastik torbayı ve ambalaj malzemelerini çıkarın. Çıkarılan plastik torba ve ambalaj malzemeleri bebeklerden ve çocuklardan uzak tutulmalıdır.
- ! Bu ürün koşu ya da paten kayma için uygun değildir.
- ! Doğumdan itibaren kullanılmak üzere tasarlanmış bebek arabasının, yeni doğan bebekler için en yatık konumda kullanılması önerilir.
- ! Çocuğunuzu yerleştirirken ve kaldırırken park etme mekanizması etkinleştirilmelidir.
- ! Bir şasiyle birlikte kullanılan çocuk koltukları için, bu araç karyola veya yatak yerine geçmez. Çocuğunuzun uyuması gerektiğinde, uygun bir çocuk arabasına, karyolaya veya yatağa yatırılmalıdır.

## Bebek Arabası Montajı

Lütfen bu ürünü monte etmeden ya da kullanmadan önce bu kılavuzdaki tüm talimatları okuyun.

### Bebek Arabasını Açma

**bkz. görüntü 1 - 4**

! Kullanmaya devam etmeden önce, bebek arabasının mandalla tamamen kilitletiğini kontrol edin.

### Ön Teker Monte Etme ve Çıkarma

**bkz. görüntü 5 - 6**

### Arka Teker Monte Etme ve Çıkarma

**bkz. görüntü 7 - 10**

! Arka tekerler, geçme düğmelere basılarak sökülebilir. 9

! Depolama sepetini çerçeve ve fren milinin etrafına sarıp, yerine geçirin. 10

### Kolçağı Monte Etme ve Çıkarma

**bkz. görüntü 11 - 13**

Tamamen monte edilen bebek arabası 14 ile gösterilmektedir.

## Bebek Arabası Kullanımı

### Toka Kullanımı

**bkz. görüntü 15 - 16**

Tokayı Serbest Bırakın

Tokayı serbest bırakmak için orta düğmeye basın. 15

Tokayı Kilitleme

Bel kemeri tokasını omuz tokasıyla eşleştirip 16 - 1 ,orta tokaya kilitleyin. 16 - 2 "Tık" sesi, tokenın tamamen kilitletiği anlamına gelir. 16 - 3

! Düşme veya kayma sonucu oluşacak ciddi yaralanmaları önlemek için, çocuğunuzu her zaman kayışla sabitleyin.

! Çocuğunuzun güvenli biçimde sabitlendiğinden emin olun. Çocuk ve omuz kayışı arasındaki mesafe yaklaşık bir el kalınlığında olmalıdır.

! Omuz kemerlerini çaprazlamayın. Bu, çocuğun boynuna basınç uygular.

### Omuz ve Bel Kayışlarının Kullanımı

**bkz. görüntü 17 - 20**

! Çocuğunuzun düşmesini önlemek için, çocuğunuz koltuğa yerleştirildikten sonra omuz ve bel kayışlarının doğru yükseklikte ve uzunlukta olup olmadığını kontrol edin.

17 - 1 Omuz kayışı tutturma noktası A

17 - 2 Omuz kayışı tutturma noktası B

17 - 3 Kayan ayarlama parçası

Daha büyük çocuk için, omuz kayışı tutturma noktası A ve en yüksek omuz deliklerini kullanın. Daha küçük çocuk için, omuz kayışı tutturma noktası B ve en düşük omuz deliklerini kullanın.

Omuz kayışı tutturma noktasının konumunu ayarlamak için, tutturma noktasını öne bakan tarafla aynı düzeyde olacak şekilde döndürün.

Omuz kayışı yuvasından arkadan öne doğru geçirin. 18 Çocuğunuzun omuz yüksekliğine en yakın olan delikten tekrar geçirin. 19

Kayış uzunluğunu değiştirmek için kayar ayarlayıcıyı kullanın. 20 - 1

Bel kayışını doğru uzunlukta tutarken düğmeye basın 20 - 2 , 20 - 3

### Arkalık Ayarı

**bkz. görüntü 21 - 22**

Arkalığı Yatırma

Açı ayarlayıcının ortasındaki düğmeye basarken arkalığı geriye doğru çekin. 21

Arkalığı Yükseltme

Açı ayarlayıcının ucundaki şeridi çekerken arkalığı ileriye doğru itin. 22

! Yatırma açısının kullanıma uygun ayarlandığından emin olun.

### Baldır Desteği Ayarı

**bkz. görüntü 23**

Baldır desteği 2 konuma sahiptir.

Baldır Desteğini Yükseltme

Baldır desteğini yükseltmek için yukarı doğru itmeniz yeterlidir. "Tıklama" sesi, baldır desteğinin tamamen kilitletiği anlamına gelir.

Baldır Desteğini Alçaltma

Baldır desteğini alçaltmak için, baldır desteğinin her iki tarafındaki ayar düğmelerine basın 23 - 1 ve baldır desteğini aşağı doğru döndürün. 23 - 2

### Ön Döndürme Kilidi Kullanımı

**bkz. görüntü 24**

Hareket yönünü korumak için ön döndürme kilitlerini yukarı itin. 24

**İpucu**

Döndürme kilitlerinin düz olmayan yüzeylerde kullanılması önerilir.

## Fren Kullanımı

### bkz. görüntü 25 - 26

Tekerleri kilitlemek için fren koluna ayağınızla basın. 25

Tekerleri serbest bırakmak için fren kolunu yukarı doğru kaldırmanız yeterlidir. 26

#### İpucu

Bebek arabası kullanılmıyorken her zaman park frenine alın.

## Tente Kullanımı

### bkz. görüntü 27

Tente açılabilir veya katlanabilir; öne ya da arkaya doğru çekin. 27

## Omuz Kayışı Kılıfı ve Kasık Kayışı Kılıfı Kullanımı

Omuz kayışı kılıfı ya da kasık kayışı kılıfı şeritten çıkarılabilir. Omuz kayışı kılıfını ve kasık kayışı kılıfını takmak için adımları ters yönde izleyin.

## Kulp Ayarı

### bkz. görüntü 28

! Kulp 2 konuma ayarlanabilir.

## Bebek Arabasını Katlama

### bkz. görüntü 29 - 36

! Lütfen bebek arabasından önce tenteyi katlayın.

İkincil kilidi itin 29 - 1 ve tek elle katlama düğmesine bastırın 29 - 2. Katlamak için bebek arabasını ileri doğru itin.

! Taşıma çantasını tuttuğunuzda bebek arabası hareketinizi izleyecektir. 36

## Aksesuarların Kullanımı

Aksesuarlar, bölgeye bağlı olarak ayrı satılabilir veya mevcut olmayabilir.

## Joie çocuk koltuğuyla kullanın

### bkz. görüntü 37 - 43

Joie i-Level, i-Snug, gemm, i-Gemm çocuk koltuğuyla kullanırken lütfen aşağıdaki talimatlara başvurun.

! Lütfen kolçağı çıkarın ve çocuk koltuğunu takmadan önce iyi durumda tutun.

! Arkalığı en düşük konuma ayarlayın.

! Çocuk koltuğunu kullanma konusunda herhangi bir sorun yaşarsanız, lütfen ilgili talimat kılavuzlarına başvurun.

! Çocuk koltuğunu takarken lütfen bebek arabasını katlamayın.

## Yağmurluk Kullanımı

### bkz. görüntü 44 - 45

Yağmurluğu takmak için, bebek arabası üzerine yerleştirip, yağmurluktaki kanca ve halka tutturucuları takın.

! Yağmurluğu kullanmadan önce, lütfen arkalığın en düşük konuma ayarlandığından ve çocuk koltuğunun sabitlendiğinden emin olun. 45

! Üniteyi seyahat sistemi modunda ve tek başına bebek arabası olarak kullanırken lütfen yağmurlukta farklı sıradaki halka ve kanca tutturucuları kullanın.

! Yağmurluğu kullanırken lütfen her zaman havalandırmasını kontrol edin.

! Kullanılmıyorken, lütfen katlamadan önce yağmurluğun temizlenmiş ve kurumuş olduğunu kontrol edin.

! Yağmurluğu taktıktan sonra bebek arabasını katlamayın.

! Sıcak havalarda, çocuğunuzu bebek arabasına yağmurluk takılı olarak oturtmayın.

## Tekstil Malzemelerini Ayırma

### bkz. görüntü 46 - 57

1. Tekstil malzemelerini ayırmak için 46 - 57 arası adımları izleyin.

! Lütfen çıkardıktan sonra tente telini iyi durumda tutun ve tenteyi takarken mutlaka tente telini takın.

2. Tekstil malzemelerini tekrar takmak için lütfen yukarıdaki adımları ters yönde izleyin.

## Bakım ve Koruma

### bkz. görüntü 58

! Çıkarılabilir koltuk minderi soğuk suda yıkanabilir ve sıkmadan asılarak kurutulabilir. Çamaşır suyu kullanmayın. Bebek arabasının kumaş parçalarının temizliği konusunda yönergeler için lütfen bakım etiketine başvurun.

! Bebek arabası çerçevesini temizlemek için yalnızca ev sabunu ve ılık su kullanın. Çamaşır suyu ya da deterjan kullanmayın. Plastik parçaları düzenli olarak yumuşak, nemli bir bezle silerek temizleyin. Bebek arabası suyla temas ederse, pas oluşumunu önlemek için metal parçaları mutlaka kurulayın.

! Gevşeyen vidalar, eskimiş parçalar, yırtık malzeme ya da sökülmüş dikiş olup olmadığını belirlemek için bebek arabanızı ara sıra kontrol edin. Gerek duyduğunuzda ilgili parçaları değiştirin ya da onarın.

! Güneşe ya da ısıya uzun süre maruz kalması durumunda parçaların rengi solabilir veya biçimsel bozulmalar görülebilir.

! Bebek arabası ıslanırsa, tepeliği açın ve depolamadan önce iyice kurumasını sağlayın.

! Tekerler gıcırdaysa, hafif bir yağ (örneğin Silikon Sprey, paslanma önleyici yağ ya da dikiş makinesi yağı) kullanın. Yağı aksa ve teker donanımına uygulamak önemlidir. 58

! Bebek arabanızı plajda kullanırken, mekanizmalar ve teker donanımlarındaki kumu ve tuzu gidermek için, bebek arabanızı kullanım sonrasında tamamen temizleyin.

## EL Καλωσορίσατε στη Joie™

Συγχαρητήρια, γίνετε μέλος της οικογένειας Joie! Είμαστε πολύ ενθουσιασμένοι που θα βρισκόμαστε μαζί στο ταξίδι σας με το μικρό σας. Ταξιδεύοντας με το Pact™ της Joie, χρησιμοποιείτε ένα καρότσι υψηλής ποιότητας, πλήρως πιστοποιημένο και εγκεκριμένο με τα ευρωπαϊκά πρότυπα ασφαλείας EN 1888-1:2018. Το προϊόν αυτό είναι κατάλληλο για χρήση σε παιδιά που ζυγίζουν κάτω από 15 κιλά. Διαβάστε προσεκτικά αυτό το εγχειρίδιο και ακολουθήστε κάθε βήμα για να εξασφαλίσετε άνετη μετακίνηση και βέλτιστη προστασία για το παιδί σας.

### ΣΗΜΑΝΤΙΚΟ-Φυλάξτε αυτές τις οδηγίες για μελλοντική χρήση.

Επισκεφθείτε μας στον ιστότοπο [joiebaby.com](http://joiebaby.com) για να κάνετε λήψη εγχειριδίων και να δείτε περισσότερα συναρπαστικά προϊόντα Joie!

Για πληροφορίες εγγύησης, παρακαλούμε επισκεφθείτε τον ιστότοπό μας στη διεύθυνση [joiebaby.com](http://joiebaby.com)

## Περιεχόμενα

Εικόνες	1-11
ΠΡΟΕΙΔΟΠΟΙΗΣΗ	93
Συναρμολόγηση καροτσιού	95
Άνοιγμα καροτσιού	95
Συναρμολόγηση και αφαίρεση μπροστινής ρόδας	95
Συναρμολόγηση και αφαίρεση πίσω ρόδας	95
Συναρμολόγηση και αφαίρεση προστατευτικής μπάρας	95
Λειτουργία καροτσιού	95
Χρήση πόρπης	95
Χρήση ιμάντων ώμων και μέσης	96
Ρύθμιση κουκούλας	96
Ρύθμιση υποποδίου	96
Χρήση μπροστινού κλειδώματος περιστροφής	96
Χρήση φρένων	97
Χρήση κουκούλας	97
Χρήση προστατευτικού καλύμματος ιμάντα ώμου και καβάλου	97
Ρύθμιση ανάκλισης	97
Δίπλωμα καροτσιού	97
Χρήση εξαρτημάτων	97
Χρήση με το παιδικό κάθισμα ασφαλείας της Joie	97
Χρήση καλύμματος βροχής	98
Αφαίρεση υφασμάτων στοιχείων	98
Φροντίδα και συντήρηση	98

## Έκτακτη ανάγκη

Σε περίπτωση έκτακτης ανάγκης ή ατυχήματος, η παροχή των πρώτων βοθηιών στο παιδί σας και η άμεση αναζήτηση ιατρικής περίθαλψης αποτελούν επιτακτική ανάγκη.

## Πληροφορίες για το προϊόν

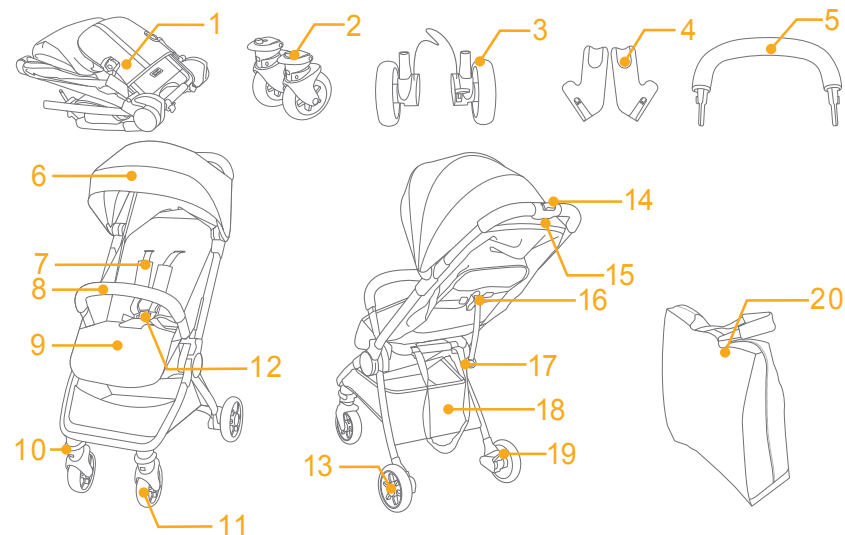
Διαβάστε όλες τις οδηγίες σε αυτό το εγχειρίδιο πριν τη χρήση του προϊόντος. Εάν έχετε περαιτέρω απορίες, συμβουλευτείτε το κατάστημα πώλησης. Ορισμένες λειτουργίες ενδέχεται να διαφέρουν ανάλογα με το μοντέλο.

Προϊόν	Καρότσι Pact
Κατάλληλο για	παιδιά που ζυγίζουν κάτω από 15 κιλά (γέννηση-36 μηνών)
Υλικά	Πλαστικό, μέταλλο, ύφασμα
Αρ. ευρεσιτεχνίας	Ευρεσιτεχνίες σε εκκρεμότητα
Κατασκευασμένο στην	Κίνα
Εμπορική ονομασία	Joie
Ιστότοπος	<a href="http://www.joiebaby.com">www.joiebaby.com</a>
Κατασκευαστής	Allison Baby UK Ltd

## Λίστα εξαρτημάτων

Πριν από τη συναρμολόγηση βεβαιωθείτε ότι όλα τα εξαρτήματα είναι διαθέσιμα. Εάν λείπει οποιοδήποτε εξάρτημα, παρακαλούμε επικοινωνήστε με το κατάστημα πώλησης. Δεν απαιτούνται εργαλεία για τη συναρμολόγηση.

1 Σκελετός καροτσιού	7 Ιμάντας ώμου	12 Πόρπη	16 Ρυθμιστής
2 Μπροστινή ρόδα	8 Προστατευτική μπάρα	13 Πίσω ρόδα	στηρίγματος πλάτης
3 Πίσω ρόδα	9 Υποπόδιο	14 Δευτερεύουσα	17 Ιμάντας μεταφοράς
4 Αντάπτορας	10 Ασφάλεια	ασφάλεια	18 Αποθηκευτικό καλάθι
5 Προστατευτική μπάρα	περιστροφής	15 Λαβή για δίπλωμα με	19 Μοχλός φρένου
6 Κουκούλα	11 Μπροστινή ρόδα	το ένα χέρι	20 Τσάντα μεταφοράς



## Εξαρτήματα

(Ενδέχεται να μην περιλαμβάνονται)

Κάλυμμα βροχής



Τα εξαρτήματα ενδέχεται να πωλούνται χωριστά ή να μην είναι διαθέσιμα ανάλογα με την περιοχή.

## ΠΡΟΕΙΔΟΠΟΙΗΣΗ

- ! ΠΡΟΕΙΔΟΠΟΙΗΣΗ Χρησιμοποιείτε πάντοτε το κάθισμα ασφαλείας. Οι ζώνες και τα καθίσματα ασφαλείας πρέπει να χρησιμοποιούνται σωστά.
- ! ΠΡΟΕΙΔΟΠΟΙΗΣΗ Βεβαιωθείτε ότι όλες οι συσκευές κλειδώματος έχουν ασφαλίσει σωστά πριν την χρήση.
- ! ΠΡΟΕΙΔΟΠΟΙΗΣΗ Μην αφήνετε το παιδί σας να παίζει με αυτό το προϊόν.
- ! ΠΡΟΕΙΔΟΠΟΙΗΣΗ Βεβαιωθείτε ότι οι συσκευές συγκράτησης του σώματος του καροτσιού ή του παιδικού καθίσματος ασφαλείας έχουν ασφαλίσει σωστά πριν τη χρήση.
- ! Απαιτείται συναρμολόγηση από ενήλικα.
- ! Χρησιμοποιήστε το καρότσι για παιδί που ζυγίζει κάτω από 15 κιλά. Θα προκληθεί ζημιά στο καρότσι με παιδί που δεν ταιριάζει σε αυτά τα κιλά.
- ! Για να αποτρέψετε μια επικίνδυνη, ασταθή κατάσταση, μην τοποθετείτε πάνω από 4,5 κιλά στο αποθηκευτικό καλάθι.
- ! Μην αφήνετε ποτέ το παιδί σας χωρίς επίβλεψη. Προσέχετε πάντα το παιδί όταν βρίσκεται στο καρότσι.
- ! Χρησιμοποιείτε το καρότσι με μόνο ένα παιδί κάθε φορά. Μην τοποθετείτε πορτοφόλια, τσάντες από ψώνια, δέματα ή αξεσουάρ στη χειρολαβή ή την κουκούλα.
- ! Δεν πρέπει να χρησιμοποιούνται εξαρτήματα που δεν έχουν εγκριθεί από τον κατασκευαστή. Θα πρέπει να χρησιμοποιούνται μόνο ανταλλακτικά που παρέχονται ή συνιστώνται από τον κατασκευαστή.
- ! Μην χρησιμοποιείτε ποτέ εξαρτήματα, μέρη ή ανταλλακτικά που δεν παράγονται ή δεν έχουν εγκριθεί από τον κατασκευαστή. Διαβάστε προσεκτικά το εγχειρίδιο οδηγιών.
- ! Διαβάστε όλες τις οδηγίες στο εγχειρίδιο πριν τη χρήση του προϊόντος. Φυλάξτε το εγχειρίδιο οδηγιών για μελλοντική χρήση. Η μη συμμόρφωση με αυτές τις προειδοποιήσεις και οδηγίες ενδέχεται να έχει ως αποτέλεσμα σοβαρό τραυματισμό ή θάνατο.
- ! Χρησιμοποιείτε πάντα τη ζώνη του καθίσματος, προς αποφυγή σοβαρού τραυματισμού από πτώση ή ολίσθηση.
- ! Βεβαιωθείτε ότι το παιδί σας δεν φέρει πάνω του κινητά εξαρτήματα κατά τη ρύθμιση του καροτσιού.
- ! Βεβαιωθείτε ότι το καρότσι είναι εντελώς ανοιχτό ή διπλωμένο πριν επιτρέψετε στο παιδί να το πλησιάσει.
- ! Το παιδί ενδέχεται να γλιστρήσει μέσα από το άνοιγμα των ποδιών και να στραγγαλιστεί εάν δεν χρησιμοποιηθεί ο ιμάντας.
- ! Μην χρησιμοποιείτε ποτέ το καρότσι σε σκάλες ή κυλιόμενες σκάλες.
- ! Να φυλάσσεται μακριά από αντικείμενα υψηλής θερμοκρασίας, υγρά και ηλεκτρονικά.

- ! Μην επιτρέπεται ποτέ στο παιδί σας να στέκεται όρθιο στο καρότσι ή να κάθεται με το κεφάλι στραμμένο προς τα εμπρός του καροτσιού.
- ! Μην τοποθετείτε ποτέ το καρότσι σε δρόμους, πλαγιές ή επικίνδυνες περιοχές.
- ! ΜΗΝ τοποθετείτε αντικείμενα με κορδόνι γύρω από το λαιμό του παιδιού, μην κρεμάτε κορδόνια και παιχνίδια με κορδόνια στο προϊόν αυτό.
- ! Τυχόν φορτίο που σχετίζεται με τη χειρολαβή ή/και το πίσω μέρος του στηρίγματος πλάτης ή/και τα πλαϊνά του καροτσιού θα επηρεάσει τη σταθερότητα του καροτσιού.
- ! ΜΗΝ σηκώνετε το καρότσι ενώ το παιδί βρίσκεται μέσα σε αυτό.
- ! ΜΗΝ χρησιμοποιείτε το αποθηκευτικό καλάθι για τη μεταφορά του παιδιού.
- ! Προς αποφυγή ανατροπής, ποτέ μην αφήνετε το παιδί να σκαρφαλώσει στο καρότσι. Σηκώνετε πάντα το παιδί για να το βάλετε και να το βγάλετε από το καρότσι.
- ! Προς αποφυγή εγκλωβισμού των δαχτύλων, να είστε προσεκτικοί κατά το δίπλωμα και ξεδίπλωμα του καροτσιού.
- ! Προς αποφυγή τραυματισμού, βεβαιωθείτε ότι το παιδί σας έχει απομακρυνθεί όταν ξεδιπλώνετε και διπλώνετε αυτό το προϊόν.
- ! Για να εξασφαλιστεί η ασφάλεια του παιδιού σας, βεβαιωθείτε ότι όλα τα μέρη έχουν συναρμολογηθεί και προσδεθεί σωστά πριν τη χρήση του καροτσιού.
- ! Προς αποφυγή στραγγαλισμού, βεβαιωθείτε ότι το παιδί σας δεν φέρει πάνω του κουκούλα ή κάλυμμα βροχής.
- ! Έχετε πάντα ενεργοποιημένα τα φρένα όταν σταθμεύετε το καρότσι.
- ! Διακόψτε τη χρήση του καροτσιού εάν έχει υποστεί βλάβη ή σπάσει.
- ! Το καρότσι προορίζεται για χρήση μόνο με ταχύτητα βαδίσματος. Το προϊόν αυτό δεν ενδείκνυται για χρήση ενώ τρέχετε.
- ! Προς αποφυγή ασφυξίας, αφαιρέστε την πλαστική σακούλα και τα υλικά συσκευασίας πριν τη χρήση του προϊόντος. Η πλαστική σακούλα και τα υλικά συσκευασίας θα πρέπει στη συνέχεια να φυλάσσονται μακριά από μωρά και παιδιά.
- ! Το προϊόν αυτό δεν είναι κατάλληλο για τρέξιμο ή πατινάζ.
- ! Παιδικό καρότσι σχεδιασμένο για χρήση από τη γέννηση που συστήνει τη χρήση της θέσης με την μεγαλύτερη ανάκλιση για νεογέννητα.
- ! Η συσκευή στάθμευσης θα πρέπει να χρησιμοποιείται κατά την τοποθέτηση και μετακίνηση των παιδιών.
- ! Για παιδικά καθίσματα ασφαλείας που χρησιμοποιούνται σε συνδυασμό με πλαίσιο, το όχημα αυτό δεν αντικαθιστά την βρεφική κούνια ή κρεβάτι. Σε περίπτωση που το παιδί σας θελήσει να κοιμηθεί, τότε θα πρέπει να τοποθετηθεί σε ένα κατάλληλο στρώμα καροτσιού, κούνια ή κρεβάτι.

## Συναρμολόγηση καροτσιού

Διαβάστε όλες τις οδηγίες σε αυτό το εγχειρίδιο πριν συναρμολογήσετε και χρησιμοποιήσετε το προϊόν αυτό.

### Άνοιγμα καροτσιού

#### Δείτε τις εικόνες 1 - 4

! Βεβαιωθείτε ότι το καρότσι είναι πλήρως ασφαλισμένο πριν συνεχίσετε τη χρήση του.

### Συναρμολόγηση και αφαίρεση της μπροστινής ρόδας

#### Δείτε τις εικόνες 5 - 6

### Συναρμολόγηση και αφαίρεση της πίσω ρόδας

#### Δείτε τις εικόνες 7 - 10

! Οι πίσω ρόδες μπορούν να αποσυναρμολογηθούν πατώντας τα κουμπιά συγκράτησης. 9

! Τυλίξτε το αποθηκευτικό καλάθι γύρω από το σκελετό και τον άξονα των φρένων και έπειτα ασφαλίστε το στη θέση του. 10

### Συναρμολόγηση και αφαίρεση προστατευτικής μπάρας

#### Δείτε τις εικόνες 11 - 13

Το πλήρως συναρμολογημένο καρότσι εμφανίζεται στην εικόνα 14.

## Λειτουργία καροτσιού

### Χρήση πόρπης

#### Δείτε τις εικόνες 15 - 16

Αποδέσμευση της πόρπης

Πιέστε το κεντρικό κουμπί για αποδέσμευση της πόρπης. 15

Ασφάλιση της πόρπης

Ενώστε την πόρπη της ζώνης μέσης με την πόρπη του ώμου 16 - 1, και κουμπώστε τις στην κεντρική πόρπη.

16 - 2 Ο ήχος "κλικ" σημαίνει ότι η πόρπη έχει ασφαλίσει πλήρως. 16 - 3

! Προς αποφυγή σοβαρού τραυματισμού λόγω πτώσης ή ολίσθησης, ασφαλίστε πάντα το παιδί σας με τη ζώνη ασφαλείας.

! Βεβαιωθείτε ότι το παιδί σας έχει τοποθετηθεί με ασφάλεια και άνεση. Το διάστημα μεταξύ παιδιού και ιμάντα ώμου είναι περίπου το πάχος ενός χεριού.

! Μην σταυρώνετε τις ζώνες ώμου. Κάτι τέτοιο θα ασκήσει πίεση στο λαιμό του παιδιού.

### Χρήση των ιμάντων ώμου και μέσης

#### Δείτε τις εικόνες 17 - 20

! Για να προστατέψετε το παιδί σας από τυχόν πτώση, αφού το τοποθετήσετε στο κάθισμα, ελέγξτε εάν οι ιμάντες ώμου και μέσης βρίσκονται στο σωστό ύψος και μήκος.

17 - 1 Θέση αγκύρωσης ιμάντων ώμου A

17 - 2 Θέση αγκύρωσης ιμάντων ώμου B

17 - 3 Ρυθμιστής ολίσθησης

Για παιδί μεγαλύτερης ηλικίας, χρησιμοποιήστε τη θέση αγκύρωσης A του ιμάντα ώμου και τις υψηλότερες υποδοχές ώμου. Για μικρότερο παιδί, χρησιμοποιήστε τη θέση αγκύρωσης B του ιμάντα ώμου και τις χαμηλότερες υποδοχές ώμου.

Για ρύθμιση της θέσης αγκύρωσης του ιμάντα ώμου, στρέψτε την αγκύρωση ώστε να είναι στο ίδιο επίπεδο με την πλευρά προς τα εμπρός.

Περάστε το μέσα από την υποδοχή ιμάντα ώμου από πίσω προς τα εμπρός. 18 Περάστε το ξανά μέσα από την υποδοχή που βρίσκεται πιο κοντά στο ύψος του ώμου του παιδιού 19

Χρησιμοποιήστε το ρυθμιστή ολίσθησης για να αλλάξετε το μήκος του ιμάντα. 20 - 1

Πιέστε το κουμπί 20 - 2, τραβώντας τον ιμάντα μέσης στο κατάλληλο μήκος. 20 - 3

### Ρύθμιση στηρίγματος πλάτης

#### Δείτε τις εικόνες 21 - 22

Ανάκλιση στηρίγματος πλάτης

Τραβήξτε το στήριγμα πλάτης προς τα πίσω, πιέζοντας το κουμπί στο κέντρο του ρυθμιστή γωνίας. 21

Ανασκήκωμα του στηρίγματος πλάτης

Σπρώξτε το στήριγμα πλάτης προς τα πίσω, τραβώντας τον ιμάντα στο άκρο του ρυθμιστή γωνίας. 22

! Βεβαιωθείτε ότι η ανάκλιση έχει ρυθμιστεί σωστά για χρήση.

### Ρύθμιση υποποδίου

#### Δείτε τις εικόνες 23

Το υποπόδιο έχει 2 θέσεις.

Ανασκήκωμα του υποποδίου

Για να σηκώσετε το υποπόδιο, απλώς σπρώξτε το προς τα πάνω. Ο ήχος "κλικ" σημαίνει ότι το υποπόδιο έχει ασφαλίσει πλήρως.

Κάτω υποπόδιο

Πατήστε τα κουμπιά ρύθμισης και στις δύο πλευρές του υποποδίου 23 - 1 και περιστρέψτε το υποπόδιο προς τα κάτω. 23 - 2

### Χρήση μπροστινού κλειδώματος περιστροφής

#### Δείτε τις εικόνες 24

Σπρώξτε προς τα πάνω τις μπροστινές ασφάλειες περιστροφής για να διατηρήσετε την κατεύθυνση κίνησης. 24

#### Συμβουλή

Συνιστάται η χρήση των ασφαλειών περιστροφής σε ανώμαλες επιφάνειες.

## Χρήση πέδησης

### Δείτε τις εικόνες 25 - 26

Για να κλειδώσετε τους τροχούς, πατήστε το μοχλό πέδησης προς τα κάτω. 25

Για αποδέσμευση των τροχών, απλά ανασηκώστε το μοχλό του φρένου προς τα επάνω. 26

**Συμβουλή** Πάντα να ρυθμίζετε το χειρόφρενο όταν δεν κινείται το καρότσι.

## Χρήση κουκούλας

### Δείτε τις εικόνες 27

Η κουκούλα μπορεί να ανοίξει ή να διπλώσει, τραβήξτε την προς τα εμπρός ή προς τα πίσω. 27

## Χρήση καλύμματος ιμάντα ώμου και καλύμματος ιμάντα καβάλου

Το κάλυμμα ιμάντα ώμου ή το κάλυμμα ιμάντα καβάλου μπορεί να αφαιρεθεί από τον ιμάντα. Για συναρμολόγηση του καλύμματος ιμάντα ώμου και του καλύμματος ιμάντα καβάλο σε αντίστροφα βήματα.

## Λαβή ρύθμισης

### Δείτε τις εικόνες 28

! Η λαβή μπορεί να ρυθμιστεί σε 2 θέσεις.

## Πτυσσόμενο καρότσι

### Δείτε τις εικόνες 29 - 36

! Διπλώστε την κουκούλα πριν το δίπλωμα του καροτσιού.

Σπρώξτε τη δευτερεύουσα κλειδαριά 29 - 1 και πιέστε το κουμπί για αναδίπλωση με ένα χέρι 29 - 2. Σπρώξτε το καρότσι προς τα εμπρός για να διπλώσει.

! Αρπάξτε την τσάντα μεταφοράς, το καρότσι θα σας ακολουθήσει. 36

## Χρήση εξαρτημάτων

Τα εξαρτήματα μπορεί να πωλούνται ξεχωριστά ή να μην είναι διαθέσιμα ανάλογα με την περιοχή.

## Χρήση με παιδικό κάθισμα ασφαλείας Joie

### Δείτε τις εικόνες 37 - 43

Κατά τη χρήση με το παιδικό κάθισμα ασφαλείας i-Level, i-Snug, gemm, i-Gemm της Joie, ανατρέξτε στις ακόλουθες οδηγίες.

! Αφαιρέστε το βράχιονα του μπράτσου και φυλάξτε το καλά πριν από την προσάρτηση του παιδικού καθίσματος ασφαλείας.

! Ρυθμίστε το στήριγμα πλάτης σε χαμηλότερη θέση.

! Αν έχετε τυχόν προβλήματα με τη χρήση του παιδικού καθίσματος ασφαλείας για βρέφος, ανατρέξτε στα εγχειρίδια οδηγιών τους.

! Μην διπλώνετε το καρότσι, όταν τοποθετείτε το παιδικό κάθισμα ασφαλείας.

## Χρησιμοποιείτε κάλυμμα βροχής

### Δείτε τις εικόνες 44 - 45

Για τη συναρμολόγηση του καλύμματος βροχής, τοποθετήστε το επάνω από το καροτσάκι και, έπειτα, συνδέστε τα καθίσματα και τους συνδετήρες βρόχου και αγκίστρου στο κάλυμμα βροχής.

! Προτού χρησιμοποιήσετε το κάλυμμα βροχής, βεβαιωθείτε ότι το στήριγμα πλάτης έχει ρυθμιστεί στη χαμηλότερη θέση και το παιδικό κάθισμα ασφαλείας για βρέφη έχει προσδεθεί. 45

! Χρησιμοποιήστε τη διαφορετική σειρά των συνδετήρων βρόχου και αγκίστρου στο κάλυμμα βροχής, ενώ χρησιμοποιείτε τη μονάδα σε λειτουργία ταξιδιού και καροτσιού μόνο.

! Όταν χρησιμοποιείτε το κάλυμμα βροχής, ελέγχετε πάντα τον εξαερισμό του.

! Όταν δεν χρησιμοποιείται, βεβαιωθείτε ότι το κάλυμμα βροχής έχει καθαριστεί και στεγνωθεί πριν από τη δίπλωση.

! Μην διπλώνετε το καρότσι μετά τη συναρμολόγηση του καλύμματος βροχής.

! Μην τοποθετείτε το παιδί σας στο καρότσι συναρμολογημένο με κάλυμμα βροχής όταν έχει ζεστό καιρό.

## Αφαιρέστε τα υφασμάτινα στοιχεία

### Δείτε τις εικόνες 46 - 57

1. Ακολουθήστε τα βήματα 46 - 57 για να αφαιρέσετε τα υφασμάτινα στοιχεία.

! Φυλάξτε το καλώδιο της κουκούλας καλά αφού το αφαιρέσετε και πρέπει να συναρμολογήσετε το καλώδιο κουκούλας όταν συναρμολογήσετε την κουκούλα.

2. Για να επανατοποθετήσετε τα υφασμάτινα στοιχεία επαναλάβετε τα παραπάνω βήματα αντιστρόφως.

## Φροντίδα και συντήρηση

### Δείτε τις εικόνες 58

! Το αφαιρούμενο μαξιλάρι καθίσματος πρέπει να πλυθεί με κρύο νερό και να αποστραγγιστεί. Μην χρησιμοποιείτε χλωρίνη. Ανατρέξτε στην ετικέτα του ρούχου για οδηγίες σχετικά με τον καθαρισμό των υφασμάτων εξαρτημάτων του καροτσιού.

! Για τον καθαρισμό του σκελετού του καροτσιού, χρησιμοποιήστε μόνο οικιακό σαπούνι και ζεστό νερό. Μην χρησιμοποιείτε χλωρίνη ή απορρυπαντικά. Καθαρίζετε περιοδικά τα πλαστικά μέρη με ένα μαλακό υγρό πανί. Στεγνώνετε πάντα τα μεταλλικά μέρη για να αποτραπεί ο σχηματισμός σκουριάς αν το καρότσι έχει έρθει σε επαφή με νερό.

! Κατά καιρούς, ελέγχετε το καρότσι σας για χαλαρές βίδες, φθαρμένα μέρη, σχισμένο υλικό ή σημεία που απαιτούν ράψιμο. Αντικαταστήστε ή επισκευάστε τα εξαρτήματα όπως απαιτείται.

! Η υπερβολική έκθεση στον ήλιο ή τη θερμότητα ενδέχεται να προκαλέσει ξεθώριασμα ή στρέβλωση των εξαρτημάτων.

! Αν βραχεί το καροτσάκι, ανοίξτε την κουκούλα και αφήστε τη να στεγνώσει καλά πριν τη φύλαξη.

! Αν τρίβουν οι τροχοί τρίξιμο, χρησιμοποιήστε ένα ελαφρύ λάδι (π.χ., σπρέι σιλικόνης, αντισκωριακό λάδι ή λάδι ραπτομηχανής). Είναι σημαντικό να εφαρμόσετε το λάδι στο συγκρότημα άξονα-τροχών. 58

! Όταν χρησιμοποιείτε το καρότσι σας στην παραλία, καθαρίστε καλά το καρότσι σας μετά τη χρήση για να αφαιρέσετε την άμμο και το αλάτι από τους μηχανισμούς και τα συγκροτήματα τροχών.

# DA Velkommen til Joie™

Tillykke og velkommen til Joie-familien! Vi er så glade for at være en del af din rejse med den lille. Når du er på tur med Joie Pact™, bruger du en klapvogn i høj kvalitet som er fuldt certificeret og godkendt iht. de europæiske sikkerhedsstandarder EN 1888-1:2018. Dette produkt må bruges til børn op til 15 kg. Læs denne vejledning omhyggeligt og følg alle trinene så du sikrer, at dit barn har det behageligt og er ordentligt beskyttet under turen.

## VIGTIGT-gem disse instruktioner til senere brug.

Besøg os på [joiebaby.com](http://joiebaby.com), hvor du kan downloade vejledninger og se flere spændende Joie-produkter!

Besøg vores websted på [joiebaby.com](http://joiebaby.com) for at få oplysninger om garanti

## Indhold

Figur	1-11
ADVARSEL	101
Sådan samles klapvognen	103
Åbn klapvognen	103
Monter og afmonter forhjul	103
Monter og afmonter baghjul	103
Monter og afmonter armstøtte	103
Brug af klapvognen	103
Brug spændet	103
Brug skulder- & taljeseler	104
Juster ryglænet	104
Juster lægstøtten	104
Brug forhjulslåsen	104
Brug bremsen	105
Brug kaleche	105
Brug overdækning til skulderseler og skridtsele	105
Juster håndtag	105
Fold klapvognen sammen	105
Brug tilbehør	105
Brug med Joie autostol	105
Brug regnslag	106
Sådan tages de bløde dele af	106
Pleje og vedligeholdelse	106

## Nødsituationer

I tilfælde af en nødsituation eller ulykke er det vigtigst, at dit barn straks får førstehjælp og lægebehandling.

## Produktoplysninger

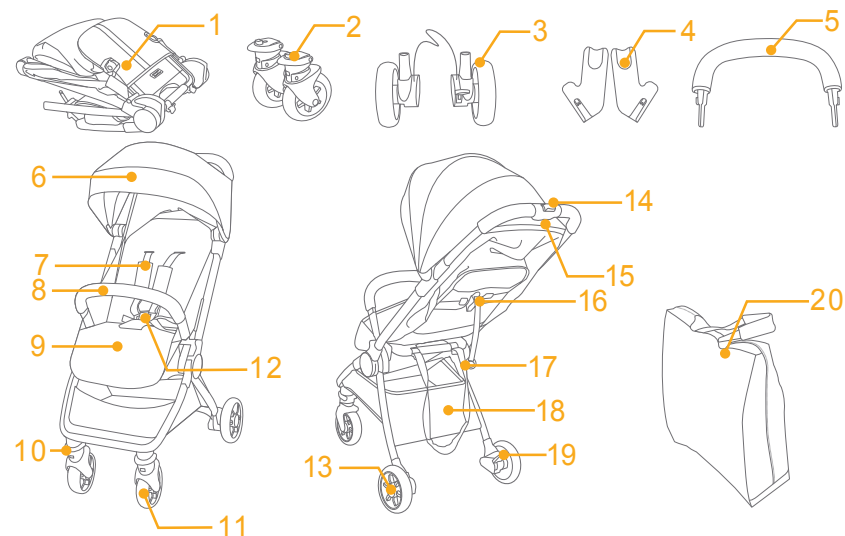
Læs alle instruktionerne i denne vejledning, inden produktet tages i brug. Hvis du har yderligere spørgsmål, bedes du kontakte din forhandler. Nogle funktioner kan være forskellige fra model til model.

Produkt	Pact klapvogn
Beregnet til	børn op til 15 kg (fødsel-36 måneder)
Materialer	Plastik, metal, stof
Patentnummer	Afventer patent
Fremstillet i	Kina
Varemærke	Joie
Websted	<a href="http://www.joiebaby.com">www.joiebaby.com</a>
Producent	Allison Baby UK Ltd

## Liste over dele

Kontroller, at alle delene følger med, inden du begynder at samle produktet. Hvis der mangler nogen dele, bedes du venligst kontakte din lokale forhandler. Der skal ikke bruges værktøj til at samle produktet.

1 Klapvognsstel	7 Skuldersele	13 Baghjul	17 Bærerem
2 Forhjul	8 Armstøtte	14 Sekundær lås	18 Opbevaringskurv
3 Baghjul	9 Lægstøtten	15 Håndtag til	19 Bremsegreb
4 Adapter	10 Hjulslås	étagrebssammen-	20 Bæretaske
5 Armstøtte	11 Forhjul	foldning	
6 Kaleche	12 Spænde	16 Justering af ryglæn	



## Tilbehør (medfølger muligvis ikke)

Regnslag

Tilbehør sælges muligvis separat og er muligvis ikke tilgængeligt i dit område.



## ADVARSEL

- ! ADVARSEL Brug altid fastspændingssystemet. Sikkerhedsseler og fastspændingssystemer skal bruges korrekt.
- ! ADVARSEL Sørg for, at alle låsene er låst inden brug.
- ! ADVARSEL Lad ikke barnet lege med dette produktet.
- ! Sørg for, at fastholdelsesanordningerne for barnevognskassen eller børneautostolen er spændt ordentligt fast inden brug.
- ! Kræver samling af en voksen.
- ! Brug klapvognen til børn op til 15 kg. Tungere børn kan beskadige klapvognen.
- ! For at forhindre en farlig, ustabil tilstand, må du ikke anbringe mere end 4,5 kg i opbevaringskurven.
- ! Efter aldrig barnet uden opsyn. Vær altid i stand til at holde øje med barnet i klapvognen.
- ! Brug kun klapvognen med ét barn ad gangen. Anbring aldrig punge, indkøbsposer, pakker eller tilbehør på håndtaget eller kalechen.
- ! Brug ikke tilbehør, der ikke er godkendt af producenten. Brug kun reservedele, som leveres eller er godkendt af fabrikanten.
- ! Brug aldrig tilbehør, dele eller komponenter, der ikke er produceret eller godkendt af producenten. Læs brugsanvisningen omhyggeligt.
- ! Læs alle instrukserne i brugsanvisningen, før du bruger produktet. Gem brugsanvisningen til senere brug. Manglende overholdelse af disse advarsler og instruktioner kan medføre alvorlige kvæstelser eller dødsfald.
- ! For at undgå, at barnet kommer til skade ved at falde eller glide ud, skal du altid bruge sikkerhedssele.
- ! Sørg for at dit barns krop går fri fra de bevægelige dele, når du justerer klapvognen.
- ! Vær sikker på klapvognen er helt åben eller sammenfoldet, før barnet kommer i nærheden af klapvognen.
- ! Barnet kan få benene ind i åbninger eller blive kvalt, hvis selen ikke anvendes.
- ! Brug aldrig klapvognen på trapper eller rulletrapper.
- ! Hold produktet væk fra varme genstande, væsker og elektronik.
- ! Lad aldrig barnet stå op eller sidde omvendt i klapvognen.
- ! Efterlad aldrig klapvognen på vejen, på skrånninger eller andre farlige steder.
- ! For at undgå kvælning må DU IKKE lægge noget rundt om barnets hals, ophænge snore fra dette produkt eller binde snore til legetøj.
- ! Enhver vægt, der anbringes på håndtaget, bag på ryglænet eller på siderne af klapvognen vil påvirke stabiliteten.

- ! Løft IKKE klapvognen, mens barnet sidder i den.
- ! Brug IKKE opbevaringskurven som barnelift.
- ! For at undgå at klapvognen vipper, må du aldrig lade barnet kravle op i den. Løft altid barnet ind og ud af klapvognen.
- ! For at undgå klemte fingre, skal du altid være forsigtig, når du falder klapvognen sammen eller ud.
- ! For at undgå skader, skal børn altid holdes væk fra produktet, når du folder det ud eller sammen.
- ! Af hensyn til barnets sikkerhed skal du altid sikre dig, at alle dele er samlet og monteret korrekt, før du bruger klapvognen.
- ! For at undgå kvælning skal du sikre dig, at barnet ikke sidder for tæt op i kalechen eller regnslaget.
- ! Slå altid bremserne til, når du parkerer klapvognen.
- ! Stop med at bruge klapvognen, hvis den er beskadiget eller ødelagt.
- ! Klapvognen må kun bruges i gå-hastighed. Dette produkt er ikke beregnet til brug under løb.
- ! For at undgå kvælning skal plastikposen og alle emballagematerialer fjernes, inden produktet tages i brug. Plastikposen og emballagen skal derefter holdes væk fra babyer og børn.
- ! Dette produkt er ikke beregnet til brug under løb eller skating.
- ! Det anbefales at bruge en særligt egnet skråstol i tilbagelænet tilstand til babyer.
- ! Parkeringsbremsen skal slås til, når du skal anbringe barnet eller tage det op.
- ! Dette produkt kan ikke, sammen med autostolen, erstatte en barneseng eller en seng til spædbørn. Hvis barnet skal sove, bør du anbringe det i en passende barnevognskasse, barneseng eller seng.

## Sådan samles klapvognen

Læs alle instruktionerne i denne vejledning, inden du samler og tager produktet i brug.

### Åbn klapvogn

#### se billede 1 - 4

! Kontroller at klapvognen er foldet helt ud, før du går videre.

### Sådan monteres og afmonteres forhjulene

#### se billede 5 - 6

### Sådan monteres og afmonteres baghjulene

#### se billede 7 - 10

! Baghjulene kan skilles ad ved at trykke på snap-knapperne. 9

! Vikl opbevaringskurven omkring rammen og bremsebøjlen, og klik den på plads. 10

### Sådan monteres og afmonteres armstøtten

#### se billede 11 - 13

Den færdigsamlede klapvogn er vist som 14.

## Sådan bruges klapvognen

### Brug spændet

#### se billede 15 - 16

Spænd spændet op

Tryk på midterknappen for at løsne spændet. 15

Lås spændet

Tilpas taljebæltespændet til skulderspændet 16 - 1, og klik det ind i midterspændet. 16 - 2 Et "Klik" betyder, at låsen er låst. 16 - 3

! For at undgå, at barnet kommer til skade ved at falde eller glide ud, skal du altid bruge selen til barnet.

! Sørg for at dit barn sidder godt fastspændt. Afstanden mellem barnet og skulderselerne skal være ca. som tykkelsen af en hånd.

! Kryds ikke skulderremmene. Dette vil medføre pres på barnets hals.

### Brug skulder- og taljeseler

#### se billede 17 - 20

! Når barnet sidder i autostolen, skal du sørge for, at skulder- og taljeselerne er i den korrekte højde og længde, så barnet ikke kan falde ud.

17 - 1 Fastgørelsespunkt for skulderseler A

17 - 2 Fastgørelsespunkt for skulderseler B

17 - 3 Glidejustering

Større børn skal bruge fastgørelsespunkt A til skuldersele og det højeste skulderplacering. Mindre børn skal bruge fastgørelsespunkt B til skuldersele og lavere skulderplacering.

Hvis du vil justere placeringen af fastgørelsespunktet for skuldersele, skal du vende spændet, så det ligger plant fremad.

Stik det igennem skulderselen bagfra. 18 Før det igennem det hul, der er tættest på barnets skulderhøjde. 19

Brug glidejusteringen til at ændre selens længde. 20 - 1

Tryk på knappen 20 - 2, mens du trækker taljeselen til korrekt længde. 20 - 3

### Juster ryglænet

#### se billede 21 - 22

Læg ryglænet tilbage

Træk ryglænet baglæns, mens du trykker på knappen i midten af vinkeljusteringen. 21

Hæv ryglænet

Skub ryglænet fremad, mens du trækker i gjorden i enden af vinkeljusteringen. 22

! Indstil ryglænet i en passende vinkel.

### Justere lægstøtten

#### se billede 23

Lægstøtten har 2 indstillinger.

Hæv lægstøtten

Du kan hæve lægstøtten ved blot at skubbe den opad. Der lyder et "klik", når den er låst på plads.

Sænk lægstøtten

Tryk på justeringsknapperne på begge sider af lægstøtten 23 - 1, og drej lægstøtten nedad. 23 - 2

### Brug forhjulslåsen

#### se billede 24

Skub forreste hjullås op for at fastholde retningen. 24

**Tip**

Det anbefales at bruge hjullåsen på ujævne overflader.

## Brug bremsen se billede 25 - 26

Du låser bremserne ved at træde på bremsehåndtaget. 25

Du løsner hjulene ved at trække bremsehåndtaget opad. 26

### Tip

Slå altid parkeringsbremsen til, når klapvogn ikke er i bevægelse.

## Brug kalechen se billede 27

Kalechen kan åbnes og foldet sammen ved at du trækker den fremad eller tilbage. 27

## Brug overdækning til skulderseler og skridtsele

Overdækning til skuldersele eller skridtsele kan fjernes fra gorden. Du samler overdækning til skulderseler og skridtsele i omvendt rækkefølge.

## Justere håndtag se billede 28

! Håndtaget kan justeres i 2 positioner.

## Fold klapvogn sammen se billede 29 - 36

! Fold kalechen sammen, før du folder klapvognen sammen.

Skub den sekundære lås 29 - 1 og klem énhåndsknappen til sammenfoldning 29 - 2. Tryk klapvognen fremad for at folde sammen.

! Tag fat i bæretasken, og klapvognen vil følge med. 36

## Brug tilbehør

Tilbehør sælges muligvis separat og er muligvis ikke tilgængeligt i dit område.

## Brug med Joie autostol se billede 37 - 43

Ved brug sammen med Joie i-Level, i-Snug, gemm, i-Gemm autostol, henvises til følgende instruktioner.

! Tag armstøtten af og læg den til side, mens to monterer autostolen.

! Juster ryglænet til den laveste position.

! Hvis du har nogen problemer ved brugen af autostolen, henvises der til den tilhørende brugsanvisning.

! Fold ikke klapvognen, når du monterer autostolen.

## Brug regnslag se billede 44 - 45

Du monterer regnslaget ved at lægge det over klapvognen og fastgøre det med krogene og stroplåsene.

! Inden du bruger regnslaget, skal du sørge for, at ryglænet er sat i laveste position, og at autostolen er ordentligt fastgjort. 45

! Brug den anden række med kroge og stroplåse på regnslaget, når du bruger enheden i rejsetilstand og klapvognen for sig selv.

! Når du bruger regnslaget, skal du altid tjekke, at der kan komme luft under det.

! Inden regnslaget pakkes sammen, skal du sørge for, at det er blevet rengjort og er ordentligt tørt.

! Fold ikke klapvognen sammen, mens regnslaget sidder på.

! Sæt ikke barnet i klapvognen med regnslaget på i varmt vejr.

## Sådan tages de bløde dele af se billede 46 - 57

1. Følg trin 46 - 57 for at tage de bløde dele af.

! Gem snoren til kalechen, når du har taget den af, da du skal bruge den til at montere kalechen med igen.

2. For at sætte de bløde dele på igen skal du gentage ovenstående trin i omvendt rækkefølge.

## Pleje og vedligeholdelse se billede 58

! Den aftagelige sædepude kan vaskes i koldt vand og dryptørre. Ingen blegemiddel. Se etiketten vedr. vejledning i rengøring af klapvognens stofdele.

! Du kan rengøre klapvognens stel med varmt sæbevand. Brug ikke blegemiddel eller rengøringsmidler. Tør jævnlige plastikdele af med en blød, fugtig klud. Tør altid metaldele af for at undgå rust, hvis klapvognen er kommet i kontakt med vand.

! Se jævnlige klapvognens efter for løse skruer, slidte dele, ødelagte materialer eller syninger. Udskift eller reparer delene efter behov.

! Overdreven udsættelse for sol eller varme kan nedbryde eller forvride delene.

! Hvis klapvogn bliver våd, skal du åbne kalechen og lade den gennemtørre før opbevaring.

! Hvis hjulene knirker, kan du smøre dem med en let olie (fx. kædeolie eller symaskineolie). Det er vigtigt at få olien ind til akslen og hjulsamlingen. 58

! Hvis du bruger klapvognen på stranden, bør du rengøre den grundigt og fjerne sand og salt fra led og hjuldele.

تهانينا لانضمامك إلى عائلة Joie. إننا في غاية السعادة لاشتراكنا في رحلتك مع طفلك الصغير، وأثناء القيادة بضمن نظام Pact™ الذي تقدمه Joie أقصى درجات السلامة لعربة أطفال عالية الجودة وأمنة بالكامل. كما أنه مطابق لمعايير السلامة الأوروبية رقم EN 1888-1:2018. ويرجى العلم بأن هذا المنتج يمكن استخدامه مع الأطفال الذين يقل وزنهم عن 15 كجم. لذا يرجى قراءة التعليمات الواردة في هذا الدليل بعناية وإتباع كل خطوة فيه لضمان قيادة مريحة وتوفير أفضل حماية لطفلك.

## هام - يرجى الاحتفاظ بهذه التعليمات للرجوع إليها مستقبلاً.

زوروا موقعنا الإلكتروني Joiebaby.com لتحميل أدلة الاستخدام ومشاهدة منتجات Joie المشوقة! لمعرفة معلومات الضمان؛ يرجى زيارة موقع الويب الخاص بنا على Joiebaby.com

## معلومات المنتج

اقرأ كل التعليمات الواردة في هذا الدليل قبل استخدام هذا المنتج. وفي حال وجود استفسارات أخرى، يرجى الرجوع إلى الموزع للاستشارة، قد تختلف بعض مزايا المنتج وفقاً للطرز.

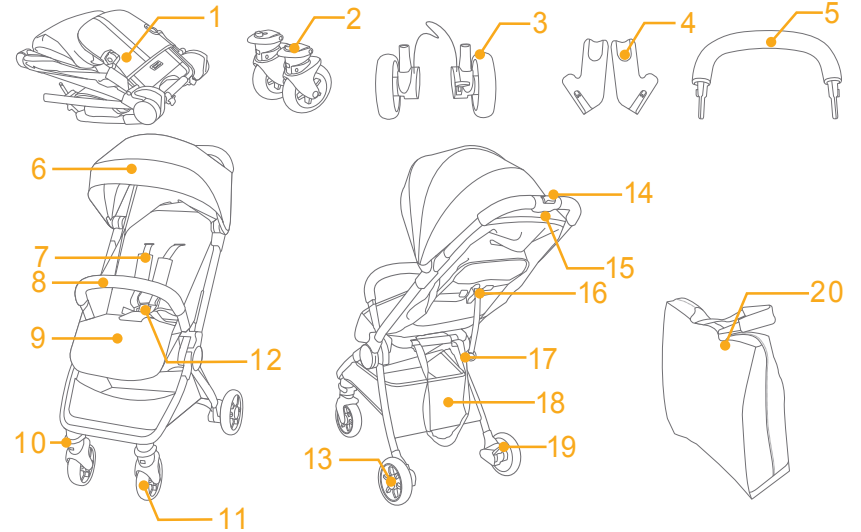
المنتج  
مناسب للاستخدام مع  
الخامات  
براءة الاختراع رقم:  
صنع في  
اسم العلامة التجارية  
موقع الويب  
الجهة المصنعة

Pact عربة الأطفال  
الذين يقل وزنهم عن 15 كجم (من الميلاد حتى 36 شهراً)  
البلاستيك، المعادن، الأقمشة  
في انتظار الحصول على براءة اختراع  
الصين  
Joie  
www.joiebaby.com  
Allison Baby UK Ltd

## قائمة الأجزاء

يرجى التأكد من توافر كافة الأجزاء قبل القيام بالتركيب، في حالة فقد أحد مكونات العربة، يرجى الاتصال بالموزع المحلي. لا داع لاستخدام أية أدوات لتركيب المقعد.

1	إطار عربة الأطفال	6	المظلة
2	العجلة الأمامية	7	حزام الكتف
3	العجلة الخلفية	8	الذراع
4	المهباي	9	دعامة القدمين
5	الذراع	10	القفل الدوار
11	العجلة الأمامية	12	إبزيم
13	العجلة الخلفية	14	قفل التانوي
15	مقبض الطي باستخدام يد واحدة	16	ضابط مسند الظهر
17	شريط الحمل	18	سلة التخزين
19	ذراع الفرامل	20	حقيبة الحمل



## المحتويات

1-11	الأشكال من
109	تحذير
111	تركيب عربة الأطفال
111	فتح عربة الأطفال
111	تركيب وفصل العجلة الأمامية
111	تركيب وفصل العجلة الخلفية
111	تركيب وفصل الذراع
111	تشغيل عربة الأطفال
111	استخدام إبزيم الحزام
112	استخدام أحزمة الكتف والخصر
112	ضبط مسند الظهر
112	ضبط مسند الساق
112	استخدام القفل الدوار الأمامي
113	استخدام الفرامل
113	استخدام المظلة
113	استخدام غطاء حزام الكتف وغطاء الحزام المفروق للساقين
113	ضبط المقبض
113	طي عربة الأطفال
113	استخدام الملحقات
113	استخدام نظام تثبيت حركة الطفل هذا من
114	استخدام الغطاء الواقي من المطر
114	فك الأجزاء اللينة
114	العناية والصيانة

## الطوارئ

في حالات الطوارئ أو الحوادث، يرجى العناية بالطفل عن طريق القيام بالإسعافات الأولية وتقديم العلاج الطبي فوراً.

## الملحقات (قد لا تكون مرفقة)

غطاء واق من المطر



قد يتم بيع الملحقات فردياً أو قد لا تكون متاحة وفقاً للمنطقة.

## تحذير

- ! تجنب رفع العربة إذا كان الطفل بداخلها.
- ! تجنب وضع الطفل داخل سلة التخزين.
- ! لتجنب ميل العربة، احرص على عدم تسلق الطفل لها. ارفع طفلك داخل العربة أو خارجها دائماً.
- ! لتجنب انحشار الأصابع؛ احرص على طيّ العربة أو بسطها بعناية.
- ! تأكد من إبعاد طفلك عند بسط العربة أو طيها لتجنب إلحاق أي ضرر به.
- ! لضمان سلامة طفلك، يرجى التأكد من تركيب كافة المكونات وإحكام ربطها جيداً قبل استخدام العربة.
- ! لتجنب اختناق طفلك، احرص على إبقائه بعيداً عن المظلة والواقي من المطر.
- ! احرص على تأمين المكابح عند وقوف العربة.
- ! احرص على عدم استخدام العربة في حال تعرضها للتلوث أو الكسر.
- ! يجب استخدام العربة بسرعة المشي فقط. هذا المنتج غير مُصمم للاستخدام أثناء الركض.
- ! لتجنب الاختناق، أزل الكيس البلاستيكي ومواد التغليف قبل استخدام هذا المنتج. والاحتفاظ بهما بعيداً عن متناول الأطفال والرضع.
- ! هذا المنتج غير مناسب للاستخدام أثناء الجري أو التزلج.
- ! صُممت عربة الأطفال لاستخدامها منذ لحظة الولادة، ويفضل استخدام وضعيّة الانحناء المُصممة خصيصاً للأطفال حديثي الولادة.
- ! يجب تأمين المكابح عند وضع الطفل في العربة وإخراجه منها.
- ! تستبدل هذه العربة بسرير الطفل أو الفراش وذلك في أنظمة تقييد حركة الطفل المقترن بهيكل السيارة. وفي حالة رغبة الطفل في النوم، يجب وضعه في عربة الطفل أو حقيبة حمل أو سرير ملائمين.
- ! تحذير احرص دائماً على استخدام نظام تقييد حركة الطفل. يجب استخدام أحزمة الأمان ونظام تقييد الحركة كة استخداماً صحيحاً.
- ! تحذير تأكد من تأمين الأقفال كافة قبل الاستخدام.
- ! تحذير تجنب لعب الطفل بهذا المنتج.
- ! تحقق من تأمين هيكل العربة أو مرفقات نظام تقييد حركة الطفل وأنها مثبتة بشكل صحيح قبل الاستخدام.
- ! تحذير
- ! يجب تركيب العربة بواسطة شخص بالغ.
- ! استخدم عربة الأطفال هذه مع الأطفال الذين يقل وزنهم عن 15 كجم. حيث إن استخدام العربة لحمل طفل زائد الوزن سيؤدي إلى تلفها.
- ! لتفادي الحالات الخطرة أو غير المستقرة، تجنب وضع عناصر يزيد وزنها على 4.5 كجم في سلة التخزين.
- ! يحظر بنائاً ترك طفلك دون مراقبة. لذا احرص دائماً على مراقبة الطفل عند وضعه في العربة.
- ! استخدم العربة لحمل طفل واحد فقط في كل مرة. ويحظر وضع حقائب اليد أو حقائب التسوق أو الطرود أو الإكسسوارات على المقبض أو الغطاء.
- ! يجب عدم استخدام قطع الغيار غير المعتمدة من قبل الجهة المُصنّعة. فيجب ألا يتم استخدام إلا قطع الغيار المرفقة أو الموصى بها من قبل الجهة المُصنّعة.
- ! لا تستخدم مطلقاً ملحقات أو أجزاء أو مكونات لم يتم إنتاجها أو اعتمادها من قبل الجهة المُصنّعة. ويرجى الاطلاع على دليل التعليمات بعناية.
- ! الرجاء قراءة كافة التعليمات الواردة في هذا الدليل قبل استخدام المنتج. كما يرجى الاحتفاظ بهذا الدليل لاستخدامه في المستقبل. وقد يؤدي عدم مراعاة هذه التحذيرات وإتباع التعليمات إلى وقوع إصابات بالغة أو الوفاة.
- ! احرص على استخدام حزام الأمان دائماً لتفادي وقوع الإصابات البالغة الناتجة عن الوقوع أو الانزلاق.
- ! تأكد من ابتعاد جسد طفلك عن الأجزاء المتحركة عند ضبط العربة.
- ! تأكد من فتح العربة أو طيها بالكامل قبل السماح للطفل بالاقتراب منها.
- ! في حالة عدم استخدام الحزام قد ينزلق الطفل إلى فتحات الساق ومن ثم يتسبب ذلك في اختناقه.
- ! يُحظر استخدام عربة الأطفال على الدرج أو السلالم الكهربائية.
- ! احرص على إبعاد العربة عن مصادر الحرارة المرتفعة أو السوائل أو الأجهزة الإلكترونية.
- ! يُحظر وقوف الطفل على العربة أو جلوسه بداخلها عندما تكون رأسه متجه ناحية المقدمة.
- ! يحظر وضع عربة الأطفال على الطرق أو المنحدرات أو المناطق الخطرة.
- ! لتفادي الاختناق، تجنب وضع أي أجسام مزودة بسلاسل حول رقبة الطفل أو قم بفصل السلاسل عن المنتج أو ربطها في الألعاب.
- ! لا تربط أشياء بالمقبض أو ظهر المقعد أو جوانب عربة الأطفال لأنها ستؤثر على ثبات العربة.

## استخدام أحزمة الكتف والخصر

### راجع الصور من 17 - 20

! لحماية طفلك من السقوط، تحقق من مناسبة طول وارتفاع أحزمة الكتف والخصر بعد وضع الطفل على المقعد.

1 - 17 مثبت حزام الكتف من النوع أ

2 - 17 مثبت حزام الكتف من النوع ب

3 - 17 ضابض الإنزلاق

استخدم مثبت حزام الكتف من النوع أ والفتحات العلوية للحزام مع الأطفال ذوي الحجم الكبير. استخدم مثبت حزام الكتف من النوع ب والفتحات السفلية للحزام مع الأطفال ذوي الحجم الصغير.

لضبط وضع مثبت حزام الكتف، قم بإدارة المثبت ليكون في نفس مستوى الجانب المتجه للأمام.

أدخل الحزام عبر فتحة حزام الكتف من الخلف إلى الأمام. 18 وقم بإعادة إدخاله من خلال الفتحة الأقرب لمستوى ارتفاع كتف الطفل. 19

استخدم ضابض الإنزلاق لتغيير طول الحزام. 1 - 20

اضغط على الزر 2 - 20، أثناء سحب حزام الخصر للوصول إلى الطول المناسب. 3 - 20

## ضبط مسند الظهر

### راجع الصور من 21 - 22

إمالة مسند الظهر

اسحب مسند الظهر للخلف، أثناء الضغط على الزر الموجود وسط ضابض الزاوية. 21

رفع مسند الظهر

ادفع مسند الظهر للأمام، أثناء الشريط الموجود في نهاية ضابض الزاوية. 22

! تأكد من أن وضع الإنحناء صالح للاستخدام.

## ضبط مسند الساق

### راجع الصور من 23

توجد وضعيتان لدعم القدمين.

رفع دعامة القدمين

لرفع دعامة القدمين، فقط ادفعها لأعلى. A عند سماع صوت "طققة" فهذا يشير إلى غلق الإبزيم بالكامل.

خفض دعامة القدمين

لخفض دعامة القدمين، قم بالضغط على أزرار الضبط الموجودة على كلا الجانبين 1 - 23، ثم قم بتدوير الدعامة نحو الأسفل. 2 - 23

## استخدام القفل الدوار الأمامي

### راجع الصور من 24

اسحب الأقفال الأمامية الدوارة لأعلى للحفاظ على اتجاه الحركة. 24

تلميح يوصى باستخدام الأقفال الدوارة مع الأسطح غير المستوية.

## تركيب عربة الأطفال

يرجى قراءة كافة التعليمات الواردة في هذا الدليل قبل تركيب المنتج واستخدامه.

## فتح العربة

### راجع الصور من 1 - 4

! تحقق من تثبيت العربة بالكامل قبل متابعة الاستخدام.

## تركيب وفصل العجلة الأمامية

### راجع الصور من 5 - 6

## تركيب وفك العجلات الخلفية

### راجع الصور من 7 - 10

! يمكن فك العجلات الأمامية عن طريق الضغط على أزرار التحرير للخلف. 9

! قم بلف سلة التخزين حول محور المكابح وإطارها ثم ثبتها في مكانها. 10

## تركيب وفصل الذراع

### راجع الصور من 11 - 16

تم توضيح تعليمات تركيب العربة بالكامل كما هو موضح في الشكل 14

## تشغيل العربة

## استخدام إبزيم الحزام

### راجع الصور من 15 - 16

تحرير الإبزيم

اضغط على الزر الموجود بمنطقة الوسط لتحرير الإبزيم. 15

غلق الإبزيم

قم بتوصيل إبزيم حزام الخصر مع إبزيم الكتف كما في الشكل 1 - 16، واضغط على إبزيم الوسط. 2 - 16 A عند سماع صوت "طققة" فهذا يشير إلى غلق الإبزيم بالكامل. 3 - 16

! لتفادي وقوع الإصابات البالغة الناجمة عن الوقوع أو الإنزلاق، احرص دائماً على تأمين طفلك باستخدام الحزام.

! تأكد من أن تثبيت طفلك بإحكام

! تجنب عكس أحزمة الكتف. فهذا سيؤدي إلى الضغط على رقبة الطفل.

## استخدام الغطاء الواقي من المطر

### راجع الصور من 44 - 45

لتركيب الغطاء الواقي من المطر؛ ضعه فوق عربة الأطفال ثم ثبت مشابك ربط الحلقة في الغطاء الواقي من المطر.

! تأكد من ضبط مسند الظهر على الوضع السفلي وتثبيت نظام تقييد حركة الطفل، وذلك قبل استخدام الغطاء. 45

! يرجى استخدام صف مختلف من الخطاف ومشابك ربط الحلقة بغطاء المطر أثناء استخدام الوحدة في وضع نظام السفر وعربة الأطفال وحدها.

! عند استخدام الغطاء، يرجى التأكد من التهوية بصورة مستمرة.

! في حالة عدم استخدام الغطاء، تأكد من تنظيفه وتجفيفه قبل طيه.

! يرجى عدم طي العربة بعد تركيب الغطاء الواقي من المطر.

! تجنب وضع الطفل في عربة الأطفال المثبت بها الغطاء الواقي من المطر في حالة الطقس الحار.

## فك الأجزاء اللينة

### راجع الصور من 46 - 57

1 اتبع الخطوات من 57 - 46 لفك الأجزاء اللينة.

! يرجى الحفاظ على سلك المظلة جيدًا بعد إزالته، ويجب تركيبه أثناء تركيب المظلة.

2 لإعادة تثبيت الأجزاء اللينة؛ يُرجى تكرار الخطوات سالفة الذكر ولكن بالترتيب العكسي للخطوات.

## العناية والصيانة

### راجع الصور من 58

! يمكن غسل وسادة المقعد القابلة للإزالة بالماء البارد ثم تركها لتجف. ويحظر استخدام المبيضات. يرجى الرجوع إلى ملصق العناية لمعرفة التعليمات الخاصة بتنظيف الأجزاء المصنوعة من القماش بالعربة.

! لتنظيف إطار العربة، استخدم الصابون المنزلي والماء الدافئ فقط. ويحظر استخدام أية منظفات أو مبيضات. امسح الأجزاء البلاستيكية بقطعة قماش مبللة و ناعمة بصفة دورية. جفف الأجزاء المعدنية دائمًا لمنع الهيكل من الصدأ إذا لامس الماء العربة.

! من وقت لآخر، تحقق من عدم وجود أجزاء تالفة أو أقمشة ممزقة أو براغي مفكوكة أو غرز خياطة. واستبدل الأجزاء أو أصلحها حسب الحاجة.

! قد يتسبب التعرض المفرط لأشعة الشمس أو الحرارة في تلف أجزاء السرير أو تشويهها.

! في حالة بلل عربة الأطفال، افتح الغطاء واتركها لتجف جيدًا قبل تخزينها.

! في حال صرير العجلات، استخدم زيتًا خفيفًا (مثل: بخاخ السيليكون أو زيت منع الصدأ أو بخاخ التلميع المنزلي أو زيت ماكينة الخياطة).

ويوصى بوضع الزيت داخل تركيبات العجلات والمحور. 58

! عند استخدام عربة الأطفال على الشاطئ، احرص على تنظيف تركيبات العجل والمعدات من الرمال والملح جيدًا بعد الاستخدام.

## استخدام المكابح

### راجع الصور من 25 - 26

لإيقاف حركة العجلات؛ اضغط على لسان المكبح نحو الأسفل. 25

لتحرير حركة العجلات؛ فقط ارفع لسان المكبح. 26

تميح ثبت مكابح الوقوف دائمًا في حالة عدم تحريك عربة الأطفال.

## استخدام المظلة

### راجع الصور من 27

يمكن فتح المظلة أو طيها عن طريق سحبها للأمام أو الخلف. 27

## استخدام غطاء حزام الكتف وغطاء الحزام المفرق للساقين

يمكن فصل غطاء حزام الكتف أو غطاء مفرق الساقين من النسيج. لتركيب غطاء حزام الكتف وغطاء مفرق الساقين؛ قم بعكس الخطوات المذكورة سابقًا.

## ضبط المقبض

### راجع الصور من 28

! يمكن ضبط المقبض على وضعين مختلفين.

## طيّ العربة

### راجع الصور من 29 - 36

! يرجى طيّ المظلة قبل طيّ العربة.

ادفع القفل الثانوي كما هو موضح في الشكل 1 - 29 واسحب زر الطيّ اليدوي كما هو موضح في الشكل 2 - 29، ثم ادفع العربة إلى الأمام لطاها.

! امسك حقيبة الحمل، وستتبعك عربة الأطفال. 36

## استخدام الملحقات

قد يتم بيع الملحقات فرديًا أو قد لا تكون متاحة وفقًا للمنطقة.

## استخدام نظام تقييد حركة الطفل من Joie

### راجع الصور من 37 - 43

عند استخدام الملحقات مع نظام تقييد حركة الطفل i-Level, i-Snug, i-Gemm, gemm من Joie، يرجى اتباع التعليمات التالية.

! يرجى إزالة الذراع وتثيته جيدًا قبل تركيب نظام تقييد حركة الطفل.

! ضبط مسند الظهر على الوضع الأدنى.

! يُرجى الرجوع إلى دليل التعليمات الخاص بنظام تقييد حركة الطفل، عند مواجهة أية مشكلة أثناء استخدامه.

! يرجى عدم طي العربة عند التركيب بنظام تقييد حركة الطفل.

# CZ Vítejte vás u značky Joie™

Blahopřejeme vám k rozhodnutí stát se členy rodiny Joie! Jsme mimořádně potěšeni, že se můžete podílet na životní cestě vašeho dítěte. Dětský sportovní kočárek Joie Pact™ představuje vysoce kvalitní, plně certifikovaný výrobek schválený dle evropských bezpečnostních norem EN 1888-1:2018. Tento výrobek je vhodný k použití dětmi s tělesnou hmotností do 15kg. Přečtěte si prosím pečlivě tento návod a dodržujte pokyny v něm uvedené: zajistíte tak svému dítěti maximální ochranu a pohodlí při jízdě.

**DŮLEŽITÉ – Uchovejte tyto pokyny pro pozdější potřebu. Čtěte pozorně.**

Na webu [www.joiebaby.com](http://www.joiebaby.com) si můžete stáhnout návody.

## Obsah

Obrázky	1-11
VAROVÁNÍ	117
Sestavení kočárku	119
Rozložení kočárku	119
Montáž a demontáž předního kola	119
Montáž a demontáž zadního kola	119
Montáž a demontáž madla	119
Používání kočárku	119
Používání zámku popruhů	119
Používání bederního a ramenních popruhů	120
Seřízení opěradla	120
Seřízení nožní opěry	120
Používání aretace natáčení předního kola	120
Používání brzdy	121
Používání stříšky	121
Používání krytu ramenních popruhů a krytu rozkrokového popruhu	121
Seřízení rukojeti	121
Složení kočárku	121
Používání příslušenství	121
Použití ve spojení s dětským zádržným systémem Joie	121
Používání pláštěnky	122
Demontáž měkkých součástí	122
Péče a údržba	122

## Nouzové situace

V případě nouzových situací a nehod je třeba dítěti neprodleně poskytnout první pomoc a svěřit je do lékařské péče.

## Informace o výrobku

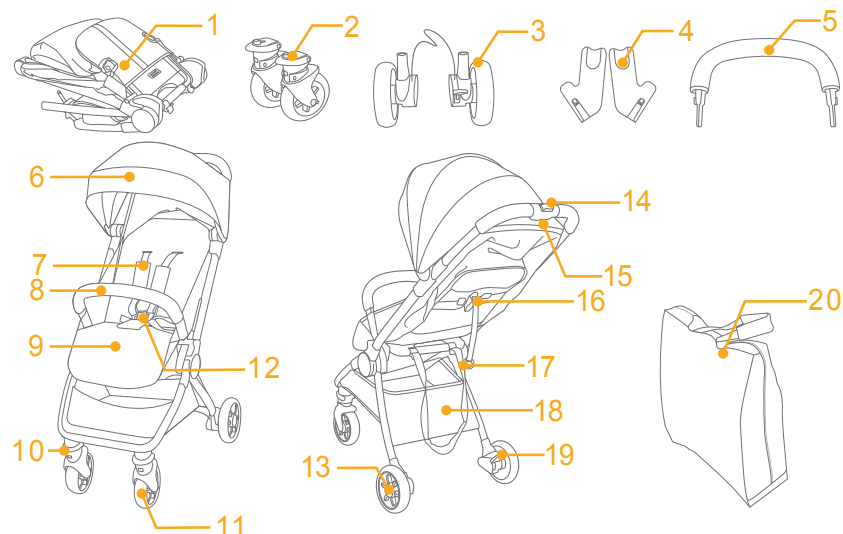
Před použitím výrobku si přečtěte veškeré informace uvedené v tomto návodu. S dalšími dotazy se obračejte přímo na prodejce. Některé funkce a vlastnosti mohou být specifické pro konkrétní model.

Výrobek	Sportovní kočárek Pact
Vhodný pro	Dítě s tělesnou hmotností nižší než 15 kg (novorozenec – 36 měsíců)
Materiály	Plasty, kov, tkanina
Číslo patentu	Patentové řízení probíhá
Země výroby	Čína
Obchodní název	Joie
Web	<a href="http://www.joiebaby.com">www.joiebaby.com</a>
Výrobce	Allison Baby UK Ltd

## Seznam součástí

Před sestavením výrobku zkontrolujte, zda je výrobek úplný a zda některá z jeho částí neschází. V případě nedostatků se prosím obraťte na prodejce. Sestavení výrobku nevyžaduje použití nástrojů.

1 Rám kočárku	7 Ramenní popruh	12 Přeška	17 Přepravní popruh
2 Přední kolo	8 Madlo	13 Zadní kolo	18 Košík
3 Zadní kolo	9 Nožní opěra	14 Sekundární pojistka	19 Páka brzdy
4 Adaptér	10 Aretace předního kola	15 Pojistka jednoručního skládání	20 Přepravní taška
5 Madlo	11 Přední kolo	16 Seřízení opěradla	



## Příslušenství (Nemusí být součástí)

Pláštěnka

Příslušenství může být prodáváno samostatně, případně nemusí být v některých regionech k dispozici.



# VAROVÁNÍ

- ! Příslušenství, která nejsou schválena výrobcem, se nesmějí používat. Používejte pouze náhradní díly schválené výrobcem.
- ! Nikdy nenechávejte dítě bez dozoru.
- ! Odstraňte plastový obal, v němž byl kočárek zabalen, z dosahu dětí, hrozí nebezpečí udušení.
- ! Kočárek je určen pro převoz jednoho dítěte od narození do hmotnosti 15 kg.
- ! Vždy používejte zádržný systém.
- ! Při nepříznivém počasí /déšť, sníh/ vždy používejte originální pláštěnku.
- ! Není-li kočárek v pohybu, vždy jej zabrzděte.
- ! Neponechávejte kočárek odstavený ve svahu.
- ! Na rukojeť kočárku zavěšujte pouze tašky k tomu určené do maximální hmotnosti 1 kg.
- ! Pamatujte, že jakékoliv břemeno zavěšené na rukojeti ovlivňuje stabilitu kočárku.
- ! Do košíku vkládejte pouze drobné, lehké předměty s maximální hmotností 4,5 kg.
- ! Kočárek není hračka pro Vaše dítě, a proto by veškerou manipulaci s ním měla provádět pouze dospělá osoba.
- ! Nejezděte s kočárkem po schodech, eskalátorech a zvláštní pozornost dávejte ve výtahu.
- ! Kočárek není vhodný pro jízdu na nezpevněných komunikacích, v terénu či kamenné dlažbě.
- ! Při jízdě s kočárkem neběhejte ani nejezděte na kolečkových bruslích.
- ! Při opravách užívejte pouze originální výměnné části.
- ! Nikdy kočárek nenechávejte v blízkosti tepelných zdrojů.
- ! Před použitím kočárku se vždy ujistěte, že je kočárek správně rozložen a všechna zajišťovací a připevňovací zařízení jsou správně zapojená a funkční.
- ! Kočárek nevystavujte nadměrně slunečnímu záření a nesušte jej na přímém slunci. Může dojít ke změně barvy potahové látky.
- ! Při skládání a rozkládání kočárku zajistěte, aby vaše dítě nebylo poblíž a nemohlo dojít k poranění.
- ! Kočárek vždy používejte pouze shodně s jeho určením.
- ! Vyhýbejte se jízdě v písku. Písek působí jako brusivo a poškodí středy kol.
- ! Kočárek přenášejte pouze v nutných případech uchopením za postranní trubky konstrukce kočárku.

- ! Kočárek nikdy nepřenášejte za madlo nebo rukojeť.
- ! Nedovolte vašemu dítěti, aby si s kočárkem hrálo / lezlo na něj. Převrácení kočárku na dítě může způsobit vážnou újmu na zdraví.
- ! Předejděte úrazu dítěte tím, že jej při skládání a rozkládání kočárku ponecháte v bezpečné vzdálenosti.
- ! Ujistěte se, že Vaše dítě nemá ruce tam, kde by se mohly zaklesnout nebo být přiskřípnuty, např. když se montují / demontují takové díly jako bouda, madélko nebo se provádí jiná manipulace.
- ! Nenechávejte dítě stát na kočárku.
- ! Aby se předešlo nebezpečí uškrcení, NIKDY neumísťujte okolo krku dítěte předměty obsahující provaz. Takové předměty neponechávejte ani viset z kočárku, ani je nepřipevňujte na hračky.
- ! Nikdy nezvedejte kočárek s dítětem.
- ! Nepoužívejte košík k přepravě dítěte.
- ! Při ukládání / zvedání dítěte do / z kočárku by tento kočárek měl být zabrzděný parkovací brzdou.
- ! Kočárek může být používán pouze při rychlosti chůze, není vhodný pro Joging.
- ! Nikdy nepoužívejte výrobek, je-li jeho část opotřebená, poškozená, nebo chybí.
- ! Kočárek nenahrazuje korbou ani postýlku. V případě potřeby delšího spánku by mělo být dítě umístěno do postýlky.
- ! Při použití kočárku od narození dítěte napolohujte zádivou opěrku co nejvíce do lehu.
- ! Sestavení kočárku smí provádět pouze dospělá osoba.
- ! Před použitím výrobku si přečtěte veškeré informace uvedené v tomto návodu. Návod k použití uschovejte pro budoucí potřebu. Nedodržení výstražných pokynů a pokynů k použití výrobku může způsobit závažná poranění, či dokonce smrt.
- ! Při seřizování kočárku vždy zkontrolujte, zda tělo dítěte nezasahuje do pohyblivých částí.
- ! Nejsou-li použity bezpečnostní popruhy, může dítě sklouznout do otvoru pro nohy, kde hrozí nebezpečí uškrcení.
- ! Kočárek nikdy neponechávejte na silnici, ve svahu a na jinak nebezpečných místech.
- ! Při skládání a rozkládání kočárku si počínejte opatrně, aby nedošlo k poranění prstů.

## Sestavení kočárku

Před sestavením a používáním výrobku si přečtěte veškeré informace uvedené v tomto návodu.

### Åbn klapvogn

viz. obrázky 1 - 4

! Nežli budete kočárek používat, zkontrolujte, zda je správně sestaven a veškeré pojistky zajišřeny.

### Montáž a demontáž předního kola

viz. obrázky 5 - 6

### Montáž a demontáž zadního kola

viz. obrázky 7 - 10

! Zadní kola lze demontovat stisknutím pojistných tlačítek. 9

! Obepněte košík okolo rámu a brzdy a zajistěte jej na místě patenty. 10

### Montáž a demontáž madla

viz. obrázky 11 - 13

Kompletně sestavený kočárek je vyobrazen na obrázku 14 .

## Používání kočárku

### Používání pŕezky

viz. obrázky 15 - 16

Odjišření pŕezky popruhů

Pŕezku popruhů odjistíte stisknutím tlačítka uprostřed pŕezky. 15

Zajišření pŕezky popruhů

Spojte bederní popruh s ramenním popruhem 16 - 1 ,a zaveďte do pŕezky. 16 - 2 Správné zajišření zámku je signalizováno zřetelným cvaknutím. 16 - 3

! Aby se předešlo závažnému zranění v důsledku pádu nebo vyklouznutí dítěte z kočárku, vždy dítě zajišřete bezpečnostním popruhem.

! Přesvědčte se, zda pásy přiléhají k tělu dítěte. Zkontrolujte, zda se volný prostor mezi tělem dítěte a ramenními popruhy rovná přibližně tloušťce dlaně.

! Dbejte, aby nedošlo ke zkřížení ramenních pásů. Zkřížené ramenní pásy by vyvíjely tlak na krk dítěte.

### Používání bederního a ramenních popruhů

viz. obrázky 17 - 20

! Aby se předešlo pádu dítěte z kočárku, umístěte dítě do kočárku a zkontrolujte správné výškové a délkové seřizení bederních a ramenních popruhů.

17 - 1 Prvek ramenního popruhu A

17 - 2 Prvek ramenního popruhu B

17 - 3 Seřizovací spona

Při přepravě větších dětí použijte prvek A a nejvýše umístěné otvory na popruhy. Při přepravě menších dětí použijte prvek B a nejniže umístěné otvory na popruhy.

Chcete-li upravit polohu prvku ramenního popruhu, otočte prvek tak, aby směřoval krátkou stranou vpřed. Provléknete jej zezadu dopředu otvorem na popruh. 18 Poté jej zaveďte zepředu do otvoru, který se nachází nejbliže ramenu dítěte. 19

Délku popruhu lze upravit seřizovací sponou. 20 - 1

Stiskněte tlačítko 20 - 2 ,a současně tahem za bederní popruh upravte délku. 20 - 3

### Seřizení opěradla

viz. obrázky 21 - 22

Sklopení opěradla

Podržte stisknutou pojistku uprostřed opěradla a současně zatáhněte za opěradlo směrem dolů. 21

Zdvihnutí opěradla

Podržte stisknutou pojistku uprostřed opěradla a současně zatáhněte za popruh na konci tlačítka. 22

! Zkontrolujte, zda je úhel opěradla vhodný k dalšímu provozu kočárku.

### Seřizení nožní opěry

viz. obrázky 23

Zvednutí nožní opěry

Chcete-li nožní opěru zvednout, stačí ji zatlačit vzhůru. Správné zajišření opěry v poloze je signalizováno zřetelným cvaknutím.

Sklopení nožní opěry

Stiskněte aretační tlačítko na obou stranách nožní opěry 23 - 1 ,a otočte nožní opěru směrem dolů. 23 - 2

### Používání aretace natáčení předního kola

viz. obrázky 24

Natáčení předního kola zablokujete zatlačením aretační páky směrem vzhůru. 24

Tip

Aretaci natáčení předních kol doporučujeme používat při jízdě na hrbolatém povrchu.

## Používání brzd

viz. obrázky 25 - 26

Kočárek zabrzdíte sešlápnutím pedál brzd. 25

Chcete-li kočárek odbrzdit, zvedněte pedál brzd. 26

**Tip**

Po zastavení vždy kočárek zajistěte brzdou.

## Používání stříšky

viz. obrázky 27

Stříšku lze zatáhnout a roztáhnout: zatáhněte za stříšku v požadovaném směru. 27

## Používání polstrů ramenních popruhů a polstru rozkrokového popruhu

Polstry rozkrokového a ramenních popruhů lze stáhnout. Při opětovném nasazení polstrů rozkrokového a ramenních popruhů postupujte v opačném pořadí úkonů.

## Nastavení rukojeti

viz. obrázky 28

! Rukojeť lze nastavit ve 2 polohách.

## Složení kočárku

viz. obrázky 29 - 36

! Nežli přikročíte ke skládání kočárku, složte nejprve stříšku.

Posuňte sekundární pojistku 29 - 1 a tlačítko odjištění jednoručního skládání 29 - 2. Složte kočárek směrem vpřed.

! Uchopte přepravní tašku; kočárek vás bude následovat. 36

## Používání příslušenství

Příslušenství může být prodáváno samostatně, případně nemusí být v některých regionech k dispozici.

## Použití ve spojení s autosedačkou Joie

viz. obrázky 37 - 43

Hodláte-li používat kočárek ve spojení s autosedačkou i-Level, i-Snug, gemm nebo i-Gemm, dodržujte prosím níže uvedené pokyny.

! Sejměte madlo a před připevněním autosedačky je uschovejte.

! Sklopte opěradlo do nejnižší polohy.

! Máte-li potíže s používáním autosedačky, nahlédněte do jejího návodu k použití.

! Neskládejte kočárek během montáže autosedačky.

## Používání pláštěnky

viz. obrázky 44 - 45

Pláštěnku v případě potřeby převlékněte přes kočárek a připevněte háčky a smyčky umístěné na pláštěnce.

! Před použitím pláštěnky sklopte opěradlo do nejnižší polohy a zajistěte autosedačku. 45

! Používejte odlišné řady háčků a smyček na pláštěnce dle toho, zda používáte samostatný kočárek, nebo konstrukci kočárku s autosedačkou.

! Během používání pláštěnky pravidelně kontrolujte ventilační otvory.

! Použitou pláštěnku před složením důkladně očistěte a osušte.

! Neskládejte kočárek s nasazenou pláštěnkou.

! Neusazujte dítě do kočárku pod pláštěnku za horkého počasí.

## Demontáž potahu

viz. obrázky 46 - 57

1. Při demontáži potahu postupujte dle obrázků 46 - 57.

! Po demontáži výztuhu stříšky dobře uschovejte. Při opětovné montáži stříšky je třeba správně namontovat i její výztuhu.

2. Při opětovné montáži potahu postupujte v opačném pořadí úkonů uvedených výše.

## Péče a údržba

viz. obrázky 58

! Odnímatelné čalounění sedadla lze prát ve studené vodě a přirozeně osušit. Nepoužívejte bělidlo. Pokyny k čištění textilních součástí kočárku jsou uvedeny na štítku.

! K čištění konstrukce kočárku používejte pouze běžné mýdlo a teplou vodu. Nepoužívejte bělidla ani rozpouštědla. Plastové části pravidelně otírejte měkkým, vlhkým hadříkem. Kovové součásti vždy otřete dosucha, aby nedocházelo ke korozi.

! Občas zkontrolujte kočárek z hlediska uvolněných šroubů, opotřebených součástí, roztržených textilií a uvolněných stehů. Poškozené součásti dle potřeby vyměňte.

! Nadměrné vystavení kočárku působení slunečního světla či tepla může způsobit blednutí a kroucení některých součástí.

! Vlhký kočárek nechejte s odklopenou stříškou před uskladněním důkladně oschnout.

! Skřipající kola ošetřete lehkým olejem (např. silikonovým sprejem, antikorozním olejem nebo olejem na šicí stroje). Přitom je důležité, aby olej pronikl k ose kolečka. 58

! Po použití kočárku na pláži kočárek pečlivě očistěte, zejména odstraňte z mechanismů a kol veškerý písek a sůl.

Blahoželáme vám k tomu, že ste sa stali súčasťou rodiny Joie! Sme nadšení, že sme súčasťou vašej jazdy s vaším maličkým. Počas cestovania s modelom Joie Pact používate kvalitný, plne certifikovaný kočík schválený podľa európskych bezpečnostných noriem EN 1888-1:2018. Tento výrobok je vhodný pre deti s hmotnosťou menej ako 15kg. Pozorne si prečítajte túto príručku a postupujte podľa krokov, aby ste zabezpečili pohodlnú jazdu a najlepšiu ochranu pre svoje dieťa.

**DÔLEŽITÉ - Tieto pokyny si uschovajte pre budúce použitie. Čítajte pozorne.**

Navštívte nás na stránkach joiebaby.com, kde môžete vidieť ďalšie produkty spoločnosti Joie.

## Obsah

Obrázky	1-11
VAROVANIE	125
Složenie kočíka	127
Rozloženie kočíka	127
Montáž a odpojenie predného kolesa	127
Montáž a odpojenie zadného kolesa	127
Montáž a demontáž madla	127
Prevádzka kočíka	127
Použitie spony	127
Použitie ramenných a brušných popruhov	128
Nastavenie opierky chrbta	128
Nastavenie nožnej opierky	128
Použitie aretácie predného kolesa	128
Použitie brzdy	129
Použitie striešky	129
Použitie krytu ramenného popruhu a krytu rozkrokového popruhu	129
Nastavenie rukoväti	129
Zložený kočík	129
Použitie príslušenstva	129
Používanie s detským zaisťovacím systémom Joie	129
Použitie pláštenky	130
Demontáž poťahu	130
Starostlivosť a údržba	130

## Núdzová situácia

V prípade mimoriadnej udalosti alebo nehôd je najdôležitejšie, aby bolo vaše dieťa ihneď ošetrené prvou pomocou a lekárskou starostlivosťou.

## Informácie o produkte

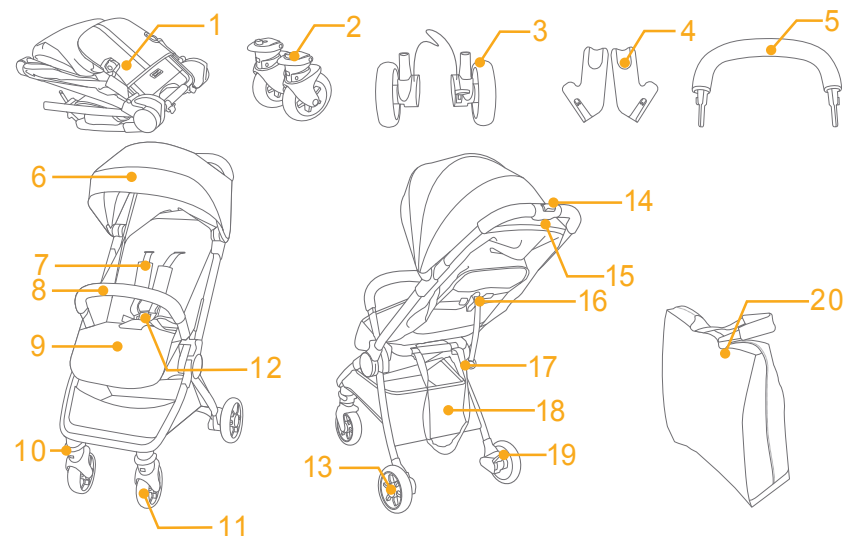
Pred použitím tohto produktu si prečítajte všetky pokyny v tomto návode. Ak máte ďalšie otázky, obráťte sa na predajcu. Niektoré funkcie sa môžu líšiť v závislosti od modelu.

Produkt	Kočik Pact
Vhodné pre	Dieťa s hmotnosťou do 15kg (od narodenia - 36 mesiacov)
Materiály	Plasty, kovy, tkaniny
Vyrobené v	Čína
Značka	Joie
Webová stránka	www.joiebaby.com
Výrobca	Allison Baby UK Ltd

## Zoznam dielov

Pred montážou sa uistite, či sú všetky diely k dispozícii. Ak akákoľvek časť chýba, obráťte sa na miestneho predajcu. Pre montáž nie sú potrebné žiadne nástroje.

1 Rám kočíka	7 Ramenný popruh	12 Spona	17 Popruh pre
2 Predné koleso	8 Madlo	13 Zadné koleso	prenášanie
3 Zadné koleso	9 Nožná opierka	14 Sekundárny zámok	18 Košík
4 Adaptér	10 Aretácia predného kolesa	15 Poistka jednoručného skladania	19 Brzda
5 Madlo		16 Poistka opierky	20 Prepravná taška
6 Strieška	11 Predné koleso		



## Príslušenstvo (Nemusí byť zahrnuté)

Pláštenka

Príslušenstvo sa môže predávať samostatne alebo nemusí byť v niektorých regiónoch k dispozícii



## VAROVANIE

- ! Pred použitím tohto produktu si prečítajte všetky pokyny v tomto návode. Uložte si návod na použitie pre budúce použitie. Nedodržanie týchto upozornení a pokynov môže viesť k vážnemu zraneniu alebo smrti.
- ! Aby ste predišli vážnemu zraneniu pri páde alebo posúvaní, vždy používajte bezpečnostný pás.
- ! Dieťa môže vkĺznuť do otvorov pre nohy a uškrtiť sa, pokiaľ sa nepoužije postroj.
- ! Príslušenstva, ktoré nie sú schválená výrobcom, sa nesmú používať.
- ! Nikdy nenechávajte dieťa bez dozoru.
- ! Odstráňte plastový obal, v ktorom bol kočík zabalený, z dosahu detí, hrozí nebezpečenstvo udusenía.
- ! Kočík je určený pre prevoz jedného dieťaťa do hmotnosti 15kg.
- ! Vždy používajte zádržný systém (postroj).
- ! Pri nepriaznivom počasí /dážď, sneh/ vždy používajte originálnu pláštenku.
- ! Ak nie je kočík v pohybu, vždy ho zabrzdíte.
- ! Neponechávajte kočík odstavený v svahu, na ceste, nebo na nebezpečnom mieste.
- ! Na rukoväť kočíku vešajte iba tašky k tomu určené do maximálnej hmotnosti 1 kg.
- ! Pamätajte, že akékoľvek bremeno zavesené na rukoväti ovplyvňuje stabilitu kočíka.
- ! Do košíku vkladajte iba drobné, ľahké predmety s maximálnou hmotnosťou 3,5 kg.
- ! Kočík nie je hračka pre Vaše dieťa, a preto by všetku manipuláciu s ním i montáž mala robiť iba dospelá osoba.
- ! Nejazdite s kočíkom po schodoch, eskalátoroch a zvláštnu pozornosť dávajte vo výťahu.
- ! Kočík nie je vhodný pre jazdu na nespevnených komunikáciách, v terénu či kamennej dlažbe.
- ! Pri jazde s kočíkom nebehajte ani nejazdite na kolieskových korčuliach, in-line korčuliach.
- ! Pri opravách užívajte iba originálne výmenné časti.
- ! Nikdy kočík nenechávajte v blízkosti tepelných zdrojov, tekutín a elektroniky.
- ! Pred použitím kočíku sa vždy uistite, že je kočík správne rozložený a všetky zaisťovacie a pripevňujúce zariadenia sú správne zapojené a funkčné.

- ! Kočík nevystavujte nadmernému slnečnému žiaru a nesušte ho na priamom slnku. Môže dojsť ku zmene farby potahové látky.
- ! Pri skladaní a rozkladaní kočíku zaistíte, aby vaše dieťa nebolo blízko a nemohlo dojsť k poraneniu.
- ! Kočík vždy používajte iba v zhode s jeho určením.
- ! Vyhýbajte sa jazde v piesku. Piesok pôsobí ako brusivo a poškodí stredy kol.
- ! Kočík spĺňa normu ČSN EN 1888-1:2018.
- ! Kočík prenášajte iba v nutných prípadoch uchopením za postranné trubky konštrukcie kočíka.
- ! Kočík nikdy neprenášajte za madlo alebo za rukoväť.
- ! Nedovoľte vášmu dieťaťu, aby sa s kočíkom hralo / liezlo na nej. Prevrátenie kočíku na dieťa môže spôsobiť vážnu ujmu na zdraví.
- ! Predídte úrazu dieťaťa tým, že jej pri skladaní a rozkladaní kočíku ponecháte v bezpečnej vzdialenosti.
- ! Uistite sa, že Vaše dieťa nemá ruky tam, kde by sa mohli zaklesnúť nebo byť priškripanuté, napr. keď sa montujú / demontujú také diely ako je strieška, madlo alebo sa prevádza iná manipulácia.
- ! Nenechávajte dieťa stať na kočíku.
- ! Neumiestňujte kolem krku dieťaťa žiadne povrázky k uchyteniu napríklad hračiek, môže dojsť k uškrtení dieťaťa.
- ! Nikdy nedvíhajte kočík s dieťaťom.
- ! Nepoužívajte košík k preprave dieťaťa.
- ! Pri ukladaní / dvíhaní dieťaťa do / z kočíku by tento kočík mal byť zabrzdzený parkovacou brzdou.
- ! Kočík môže byť používaný iba pri rýchlosti chôdze, nie je vhodný pre Jogging.
- ! Nikdy nepoužívajte výrobok, ak je jeho časť opotrebená alebo poškodená alebo chýba.
- ! Kočík nenahradzuje korbu ani postieľku. V prípade potreby dlhšieho spánku by dieťa malo byť umiestnené do korby, nebo postieľky.
- ! Pri použití kočíku od narodení dieťaťa napolohujte chrbtovou opierku čo najviac do ľahu.

## Zostavenie kočíka

Pred zostavením a použitím tohto produktu si prosím prečítajte všetky pokyny v tomto návode.

### Rozloženie kočíka

vid. obrázky 1 - 4

! Skontrolujte, či je kočík úplne zostavený predtým než ho budete ďalej používať.

### Montáž a demontáž predného kolesa

vid. obrázky 5 - 6

### Montáž a demontáž zadného kolesa

vid. obrázky 7 - 10

! Zadné kolesá je možné demontovať stlačením poistek. 9

! Oviňte úložný kôš okolo rámu a potom zacvaknite patenty. 10

### Montáž a demontáž madla

vid. obrázky 11 - 13

Kompletne zostavený kočík je znázornený na obrázku 14.

## Používanie kočíka

### Použitie spony

vid. obrázky 15 - 16

Uvoľnenie spony

Stlačením stredného tlačidla uvoľníte sponu. 15

Uzamknutie spony

Nalícujte sponu bočného pásu s ramennou sponou 16 - 1, a zacvaknite do strednej spony. 16 - 2 Zvuk "kliknutia" znamená, že spona je úplne zaistená. 16 - 3

! Aby ste sa vyhli vážnemu zraneniu pri páde alebo posúvaní, vždy zaistíte svoje dieťa bezpečnostným pásom.

! Uistite sa, že je vaše dieťa pohodlne zaistené. Priestor medzi dieťaťom a ramenným popruhom má byť približne v hrúbke jednej ruky.

! Nekrížte ramenné pásy. To spôsobí tlak na krk dieťaťa.

### Použitie ramenných a bočného popruhov

vid. obrázky 17 - 20

! Aby bolo vaše dieťa chránené pred vypadnutím, po umiestnení dieťaťa do sedadla zistíte, či má ramenný a bočný pás správnu výšku a dĺžku.

17 - 1 Prvok ramenného popruhu A

17 - 2 Prvok ramenného popruhu B

17 - 3 Nastavenie posúvača

Pri väčších deťoch používajte kotvovú úchytku ramenného popruhu A a najvyššie otvory na pleciah. Pre menšie deti používajte kotvovú úchytku ramenného popruhu B a najnižšie otvory na pleciah.

Ak chcete upraviť polohu prvku ramenného popruhu, otočte prvok tak, aby smeroval krátkou stranou vpred. Prevlečte ho zozadu dopredu otvorom na popruh. 18 Vytiahnite ho cez štrbinu, ktorá je najbližšia k výške ramena dieťaťa. 19

Pomocou nastavenia posúvača zmeňte dĺžku postroja. 20 - 1

Stlačte tlačidlo 20 - 2, a zatiahnite brušný pás na správnu dĺžku. 20 - 3

### Nastavenie opierky chrbta

vid. obrázky 21 - 22

Sklopenie operadla

Podržte stlačenú poistku uprostred operadla a súčasne potiahnite operadlo smerom nadol. 21

Zdvihnutie operadla

Podržte stlačenú poistku uprostred operadla a súčasne zatiahnite za popruh na konci tlačidla. 22

! Presvedčte sa, či je sklon správne nastavený pre použitie.

### Nastavenie opierky nôh

vid. obrázky 23

Opierka nôh má 2 pozície.

Zdvihnutie opierky nôh

Ak chcete zvýšiť opierku, jednoducho ju zatlačte nahor. Zvuk "kliknutia" znamená, že je opierka úplne zaistená.

Zníženie opierky nôh

Stlačte nastavovacie tlačidlá na oboch stranách opierky 23 - 1, a otočte opierku smerom dole. 23 - 2

### Používanie aretácie natáčania predného kolesa

vid. obrázky 24

Natáčanie predného kolesa zablokujete zatlačením aretačnej páky smerom nahor. 24

Tip

Odporúčame používať aretáciu na nerovných plochách.

## Použitie brzdy

vid. obrázky 25 - 26

Ak chcete zabrzditi kolesá, sklopte brzdu smerom dole. 25

Ak chcete uvoľniť kolesá, zdvihnite brzdu nahor. 26

**Tip**

Po zastavení vždy kočík zaistíte brzdou.

## Použitie striešky

vid. obrázky 27

Strieška môže byť otvorená alebo zložená, vytiahnutá smerom dopredu alebo dozadu. 27

## Použitie krytu ramenného popruhu a krytu medzi nožného popruhu

Kryt popruhu ramien alebo kryt popruhu rozkroku môžete odstrániť z popruhu. Zostavenie krytu ramenných popruhov a krytu popruhu rozkroku je v opačnom poradí.

## Nastavenie rukoväte

vid. obrázky 28

! Rukoväť možno nastaviť do 2 polôh.

## Zloženie kočíka

vid. obrázky 29 - 36

! Pred zložením kočíka sklopte striešku.

Zatlačte sekundárny zámok 29 - 1 a stlačte tlačidlo pre zloženie jednou rukou 29 - 2. Stlačte kočík dopredu a zložte ho.

! Uchopte tašku, kočík vás bude nasledovať. 36

## Použitie príslušenstva

Príslušenstvo sa môže predávať samostatne alebo nemusí byť k dispozícii, v závislosti od oblasti.

## Používanie s autosedačkou Joie

vid. obrázky 37 - 43

Pri použití s autosedačkou Joie i-Level, i-Snug, gemm alebo i-Gemm sa prosím riadte nasledujúcimi pokynmi.

! Odstráňte prosím madlo a pred pripnutím autosedačky je uschovajte.

! Nastavte operadlo do najnižšej polohy.

! Ak máte nejaké problémy s používaním autosedačky, preštudujte si návod k autosedačke.

! Pri upevňovaní autosedačky prosím nesklápať kočík.

## Použitie pláštenky

vid. obrázky 44 - 45

Pláštenku v prípade potreby preleťte cez kočík a pripevnite háčiky a slučkami umiestnené na pláštence.

! Pred použitím pláštenky sa ubezpečte, že je operadlo nastavené do najnižšej polohy a autosedačka bola upevnená. 45

! Pri používaní kočíka alebo autosedačky používajte na pláštence rôzne rady slučiek a háčikov.

! Pri použití pláštenky vždy skontrolujte jej vetranie.

! Ak sa nepoužíva, skontrolujte, či bola pláštenka pred sklopením vyčistená a vysušená.

! Po montáži pláštenky nesklápať kočík.

! Neumiestňujte svoje dieťa do kočíka, na ktorom je počas horúceho počasia uchytená pláštenka.

## Demontáž pot'ahu

vid. obrázky 46 - 57

1. Postupujte podľa krokov 46 - 57, aby ste vybrali pot'ah.

! Po demontáži výstuhu striešky dobre uschovajte. Pri opätovnej montáži striešky je potrebné správne namontovať aj jej výstuhu.

2. Pri opätovnej montáži pot'ahu postupujte v opačnom poradí úkonov uvedených vyššie.

## Starostlivosť a údržba

vid. obrázky 58

! Odnímateľné polstrovanie sedadla možno umývať v studenej vode a nechať odkvapkať. Nepoužívajte bielinidlo. Pozrite si štítok starostlivosti kvôli pokynom na čistenie častí kočíka vyrobených z tkaniny.

! Na čistenie rámu kočíka používajte iba mydlo a teplú vodu. Žiadne bielinidlo ani čistiaci prostriedok. Pravidelne dočista vytrite plastové časti mäkkou navlhčenou handričkou. Vždy vysušte kovové časti, aby ste predišli tvorbe hrdze, ak kočík prišiel do kontaktu s vodou.

! Z času na čas skontrolujte, či na kočíku nie sú uvoľnené skrutky, opotrebované časti, roztrhané materiály alebo švy. V prípade potreby vymeňte diely.

! Nadmerné vystavenie slnečnému žiareniu alebo teplu môže spôsobiť vyblednutie alebo deformáciu častí.

! Ak je kočík vlhký, otvorte kryt a nechajte ho pred uskladnením dôkladne vysušiť.

! Ak kolesá škripu, použite ľahký olej (napr. silikónový sprej, olej proti hrdzaveniu alebo olej pre šicie stroje). Je dôležité, aby sa olej dostal do zostavy nápravy a kolies. 58

! Keď používate kočík na pláži, po použití ho úplne vyčistite, aby ste odstránili piesok a soľ z mechanizmov a zostáv kolies.

**KR** 조이 제품을 구매해 주셔서 감사합니다.

JOIE 가족의 일원이 되신 것을 축하 드립니다.

여러분의 아이와 함께 삶의 일부분이 된 것에 대해 저희는 무척 기쁩니다. JOIE PACT 유모차와 함께 여행을 다니는 동안, 높은 사양을 지닌 유럽 안전인증 EN 1888-1:2018 를 획득한 유모차를 이용하실 수 있습니다.

이 제품은 15kg 미만의 아이들이 사용하기에 적합한 제품입니다.

이 설명서를 유심히 읽어보시고 단계별로 따라가며 편안하고 안전한 유모차 사용이 되시길 바랍니다.

중요 = 추후 참조를 위해 사용 설명서는 잘 보관해주세요!

joiebaby.co.kr 를 방문하시면 설명서 다운로드가 가능하며 더 많은 제품들을 구경 하시길 바랍니다!

보증서 정보를 위해 저희 사이트 joiebaby.co.kr 를 방문해주시기 바랍니다.

## 목록

그림	1-11
경고	135
유모차 조립	137
유모차 펴기	137
앞바퀴 조립및해제	137

뒷바퀴 조립및해제	137
안전가드 조립및 해제	137
버클 사용하기	138
어깨&허리벨트 사용하기	138
등받이 조절하기	139
발받침 조절하기	139
앞바퀴 고정하기	139
브레이크 사용하기	140
캐노피 사용하기	140
어깨벨트 와 가랑이 벨트 커버 사용하기	140
핸들 조절하기	140
유모차 접기	140
악세서리 사용하기	141
JOIE 카시트와 사용하기	141
레인커버 사용하기	141
시트 및 커버 제거하기	142
유지 및 관리하기	142

## 긴급상황

긴급상황이나 사고가 발생했을 때, 가장 중요한 점은 아이의 상태를 먼저 확인하고 바로 응급처치를 하는것이 중요합니다.

# 제품 정보

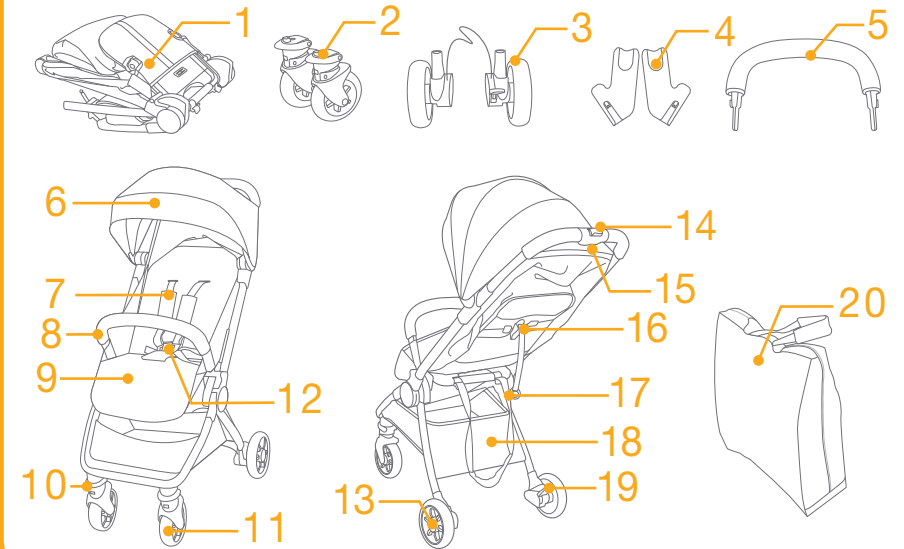
제품을 사용하기 전에 이 설명서를 읽어보시기 바랍니다. 문의 사항이 있으시면, 구매자에게 연락하시기 바라며, 모델에 따라 기능들이 다를 수 있으니 참고 바랍니다.

제품	PACT 유모차
사용연령	15kg 미만 아이 (신생아 - 36개월)
소재	플라스틱, 메탈, 원단
특허번호	특허 진행중
제조국	중국
브랜드	조이
웹사이트	www.joiebaby.com
제조사	Allison Baby UK Ltd

# 부품 리스트

조립 전에 부품이 모두 있는지 확인하시기 바랍니다. 부품이 빠져있다면, 지역 판매자에게 문의바랍니다. 조립을 위해 필요한 도구는 없습니다.

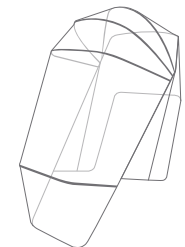
- |           |            |            |
|-----------|------------|------------|
| 1 유모차 프레임 | 8 안전가드     | 15 한손폴딩핸들  |
| 2 앞바퀴     | 9 발받침대     | 16 등받이각도조절 |
| 3 뒷바퀴     | 10 회전잠금장치  | 17 트래블 스트랩 |
| 4 어답터     | 11 앞바퀴     | 18 장바구니    |
| 5 안전가드    | 12 버클      | 19 브레이크 레버 |
| 6 캐노피     | 13 뒷바퀴     | 20 트래블 백   |
| 7 어깨벨트    | 14 보조 잠금장치 |            |



# 악세서리 (미포함 또는 별도)

레인커버

이 악세서리는 따로 판매되거나 지역에 따라 제공되지 않는 경우가 있습니다.



## 경고

- ! 경고 항상 안전벨트를 사용하십시오. 안전벨트와 잠금장치는 알맞게 사용되어야 합니다.
- ! 경고 모든 잠금장치는 사용 전에 제대로 작동하는지 확인하셔야 합니다.
- ! 경고 아이가 제품을 가지고 장난치지 않도록 하십시오.
- ! 경고 유모차나 아이 잠금장치들이 사용 전에 잘 작동되는지 확인하십시오
- ! 조립은 성인이 해야합니다.
- ! 본 제품은 15키로 미만의 아이들이 사용하여야 합니다. 제품에 맞지 않는 아이가 사용할 시 다칠 위험이 있습니다.
- ! 위험을 방지하기 위해 불안정한 환경에서 장바구니에 4.5kg이상의 물건을 물건을 적재하지 마십시오.
- ! 아이를 혼자 두지 마십시오. 유모차 사용시에는 항상 아이가 보이는 곳에서 사용하시기 바랍니다.
- ! 본 제품에는 한 아이 이상 태우지 마십시오. 가방, 쇼핑백, 소포, 또는 악세서리 아이템들을 핸들이나 캐노피에 올려놓지 마시기 바랍니다.
- ! 제조자에 의해 승인된 악세서리가 아닌 제품을 사용하지 마십시오. 제조자가 추천하거나 제공하는 부품만 사용하시기 바랍니다.
- ! 제조자에 의해 승인된 악세서리나 부품이 아닌 제품을 사용하지 마시기 바랍니다. 제품 설명서를 꼼꼼히 읽어주시기 바랍니다.
- ! 제품 사용 전에 설명서를 꼼꼼히 읽어주시기 바랍니다. 설명서는 추후 사용을 위해 잘 보관해 주시길 바랍니다. 경고와 설명을 따르지 않는 경우 심각한 부상을 당하거나 사망에 이를 수 있습니다.
- ! 떨어지거나 넘어져 심각한 부상을 당하는 것을 피하기 위해 항상 안전벨트 사용을 하시기 바랍니다.
- ! 유모차 각도조절시에 움직이는 부분으로부터 아이의 몸이 닿지 않도록 하시기 바랍니다.
- ! 유모차에 아이가 가까이 가기 전에 유모차가 완전히 펼쳐지거나 접혀졌는지 확인하시기 바랍니다.
- ! 안전벨트를 사용하지 않는 경우, 아이가 미끄러져 벨트에 목이 졸리는 경우가 발생할 수 있습니다.
- ! 계단이나 에스컬레이터에서 유모차 사용을 하지 마십시오. 높은 온도의

제품이나 액체, 전자제품들로부터 떨어지도록 하십시오.

- ! 길가나 언덕 또는 위험한 장소에 유모차를 두지 마십시오.
- ! 아이의 목졸림 방지를 위해, 아이의 목 근처나 주위에 끈이 있는 장난감 또는 물건을 두지 마십시오.
- ! 핸들바, 유모차 등받이 뒷 부분, 또는 유모차 사이드에 어떤 물건이라도 걸어 유모차의 안정성에 영향을 주지 마십시오.
- ! 아이가 유모차에 있을 때 유모차를 들지 마십시오.
- ! 장바구니에 아이를 태우지 마십시오.
- ! 낙상 방지를 위해, 아이 혼자 유모차에 기어올라타지 않도록 하십시오. 항상 아이를 들어 태우거나 내려 주시기 바랍니다.
- ! 손가락 끼임 방지를 위해, 유모차를 접고 펼 때 주의하시기 바랍니다.
- ! 사고를 피하기 위해, 제품을 접거나 펼 때 아이가 멀리 떨어져 있도록 하십시오.
- ! 아이의 안전을 위해, 모든 부품들이 조립되고 알맞게 장착되도록 하십시오.
- ! 목졸림 방지를 위해, 캐노피나 레인커버로부터 아이가 멀리 떨어질 수 있도록 하시기 바랍니다.
- ! 유모차를 세워 놓을때는 항상 브레이크로 잠궈 두시기 바랍니다.
- ! 고장나거나 손상을 입었다면, 제품 사용을 중단하시기 바랍니다.
- ! 걷는 속도에서만 유모차를 사용하시기 바랍니다. 이 제품은 조깅을 하기 위해 만든 제품이 아닙니다.
- ! 질식사 방지를 위해 제품 사용 전 비닐포장부분을 모두 제거하시기 바랍니다. 그리고 아이들로부터 멀리 떨어질 수 있도록 하시기 바랍니다.
- ! 이 제품은 달리거나 스케이트를 타기 위해 제작된 제품이 아닙니다.
- ! 신생아부터 사용하기 위해 제작된 유모차는 시트를 최대 각도로 눕어서 사용하시기 바랍니다.
- ! 잠금장치를 사용하신 후 아이를 태우거나 내리시기 바랍니다.
- ! 본 제품은, 신생아 아이들이 안전벨트를 사용하여 탑승해야하는 제품으로 침대로 사용을 금합니다. 아이가 잠들면, 침대 또는 알맞은 유모차로 옮기시기 바랍니다.

## 유모차 조립

(페이지 1-11의 사진을 참조하시기 바랍니다.)

제품을 조립하고 사용하기 전에 이 설명서를 꼼꼼히 읽어보시기 바랍니다.

### 유모차 열기

그림 ① - ④

! 사용하기 전에 유모차가 완전히 펼쳐지는지 확인하시기 바랍니다.

### 앞 바퀴 조립

그림 ⑤ - ⑥

### 뒷 바퀴 조립

그림 ⑦ - ⑩

! ⑨번 스냅 버튼을 눌러서 뒷바퀴 제거가 가능합니다.

! 브레이크 축과 프레임부분에 장바구니를 돌려서 ⑩번 처럼 스냅버튼으로 잠그시기 바랍니다.

### 안전 가드 사용

그림 ⑪ - ⑬

⑭번 그림처럼 완전히 유모차에 장착하시기 바랍니다.

## 유모차 작동

### 버클 사용

그림 ⑮ - ⑯

버클 해체

가운데 버튼을 눌러 버클을 풉니다. ⑮번

버클 잠그기

어깨 벨트와 허리 벨트를 매칭합니다. ⑯ - 1 그리고 중앙 버클을 클릭합니다. ⑯ - 2 “딱딱“ 소리가 들린다면, 바르게 잠긴 것입니다. ⑯ - 3

! 떨어지거나 미끄러져 부상 당하는 것을 방지하기 위해, 항상 아이가 안전벨트를 착용하도록 합니다.

! 아이가 편안하게 앉을 수 있도록 확인 합니다. 아이와 어깨벨트 사이의 공간은 손하나 두께 정도가 적당합니다.

! 어깨벨트를 교차해서 사용하지 마십시오. 아이의 목을 압박할 수 있습니다.

### 어깨 및 허리 벨트 사용

그림 ⑰ - ⑳

! 아이가 떨어지는 것을 방지하기 위해, 의자에 앉은 후, 어깨 벨트와 허리벨트의 높이와 길이가 알맞게 착용되었는지 확인합니다.

⑰ - 1 어깨벨트 앵커 A

⑰ - 2 어깨벨트 앵커 B

⑰ - 3 높이 조절기

큰 아이를 위해서는, 어깨벨트 앵커 A를 사용하여 가장 높은 어깨슬롯을 사용합니다. 아이가 작다면, 어깨 벨트 앵커 B를 사용하여 가장 낮은 어깨슬롯을 사용합니다.

어깨벨트 앵커의 위치를 조절하기 위해 앞보기 방향으로 앵커를 돌려 어깨벨트 슬롯에 줄을 뒤에서 앞으로 넣습니다.

18번 아이의 어깨 높이에 맞게 슬롯을 통해 다시 넣습니다. 19 벨트 높이 변경을 위해 길이 조절을 사용합니다.

20 - 1 20 - 2 버튼을 눌러서 허리벨트를 당겨 길이를 조절합니다. 20 - 3

## 등받이 조절

그림 21 - 22

등받이 각도 눕히기

각도 조절 가운데 버튼을 눌러서 등받이를 뒤로 젖힙니다. 21

등받이 각도 세우기

각도 조절 가운데 버튼을 눌러서 등받이를 앞으로 당깁니다. 22

! 사용을 위해 알맞게 각도 조절을 하시기 바랍니다.

## 발 받침 조절

그림 23

발 받침 조절은 2단계가 있습니다.

발 받침 올리기

발 받침을 올리기 위해서 위로 올린 후 “딸깍“ 소리를 난다면 잘 조절되었다는 의미입니다.

발 받침 내리기

양쪽 발 받침 옆 부분 조절 버튼을 누른 후 23 - 1 발 받침을 아래로 내리면 됩니다. 23 - 2

## 앞 바퀴 회전 잠금 장치 사용

그림 24

앞 바퀴 회전 잠금 장치를 위로 올려서 회전이 가능하도록 합니다. 24

**Tip** 지면이 고르지 않은 길을 갈 때 회전 잠금 장치 기능을 사용하기를 권장합니다.

## 브레이크 사용

그림 25 - 26

바퀴를 잠그기 위해, 브레이크 레버를 아래로 내립니다. 25

바퀴 잠금을 풀기 위해, 브레이크 레버를 위로 올립니다. 26

**Tip** 유모차를 사용하지 않을 때는 브레이크를 항상 채우시기 바랍니다.

## 캐노피 사용

그림 27

캐노피를 열거나 접을 때, 앞으로 당기고 뒤로 접습니다. 27

## 어깨벨트커버 및 가랑이 벨트 커버 사용

웨빙에서 어깨벨트 커버 및 가랑이 벨트 커버를 제거 할 수 있으며, 반대로 하시면 다시 부착 가능합니다.

## 핸들 조절

그림 28

! 핸들은 2단계로 조절 가능합니다.

## 유모차 접기

그림 29 - 36

! 유모차를 접기 전에 캐노피를 접기 바랍니다.

㉓ - 1 보조잠금장치를 누르고 한 손 폴딩 버튼 ㉓ - 2를 누릅니다. 그리고 유모차 접는 방향으로 누릅니다.

! 트래블 백을 잡으면 유모차가 같이 따라올 것입니다. ㉓

## 악세서리 사용

악세서는 따로 판매되거나 지역에 따라 제공되지 않을 수 있습니다.

## JOIE 카시트 사용하기

그림 ㉓ - ㉓

i-Level, i-Snug, gemm 또는 i-gemm을 사용하여 JOIE 인펀트 카시트를 사용할 경우 다음 설명을 따르시기 바랍니다.

- ! 안전가드를 제거하고 인펀트 카시트를 장착해 주시기 바랍니다.
- ! 등받이 각도를 가장 낮게 조절해주시기 바랍니다.
- ! 인펀트 카시트 사용에 문제가 있을 경우 관련 카시트 설명서를 참고하시기 바랍니다.
- ! 인펀트 카시트를 장착한 채로 유모차를 접지 마십시오.

## 레인커버 사용

그림 ㉓ - ㉓

레인커버 장착을 위해 유모차 위에 덮습니다. 그리고 스냅 버튼과 후크를 사용하여 장착합니다.

- ! 레인커버 사용 전에 등받이 각도가 가장 낮은 단계로 조절되었는지 확인하시고, 인펀트 카시트는 장착되었는지 확인하시기 바랍니다. ㉓
- ! 인펀트 카시트 장착 모드와 유모차 자체 모드에 따라 레인커버 후크 잠금 부분이 다르게 사용되니 확인하시기 바랍니다.
- ! 레인커버 사용시, 항상 통풍이 되는지 확인하시기 바랍니다.

- ! 사용하지 않을 때는 레인커버를 잘 닦아서 접기 전에 말려주시기 바랍니다.
- ! 레인커버 부착 상태로 유모차를 접지 마시기 바랍니다.
- ! 더운 날씨에 유모차를 사용하여 아이를 태우지 마시기 바랍니다.

## 메인 시트 및 커버 제거

그림 ㉓ - ㉓

1. 그림 ㉓ - ㉓ 번 참조하여 메인 시트 및 커버 제거하시기 바랍니다.
- ! 제거할 때 캐노피 와이어를 잘 보관하시기 바라며, 재장착 시 꼭 캐노피 와이어를 사용하여 조립하시기 바랍니다.
2. 메인 시트 및 커버를 장착할 때 참조하신 그림을 반대로 참조하셔서 조립하시면 됩니다.

## 유지 및 관리

그림 ㉓

- ! 차가운 물을 사용하여 제거한 시트 패드를 세탁하시고 다리미질 할 필요가 없습니다. 표백제를 사용하지 마십시오. 유모차 원단 라벨에 적혀 있는 방법대로 세탁해 주시기 바랍니다.
- ! 유모차 프레임 청소를 위해 집에서 사용 가능한 비누만 사용하여 따뜻한 물로 세척합니다. 표백제나 세제 사용을 금합니다. 정기적으로 마른 헹굼으로 플라스틱부분을 닦아주시기 바랍니다. 유모차가 물에 닿았을 시 녹 방지를 위해 항상 금속부분은 말려주시기 바랍니다.
- ! 때때로 유모차 스크류 부분이 풀렸는지, 소재가 바래지거나 마감이 풀렸는지 등을 확인해주시기 바랍니다. 필요하다면 부품 교체를 하시기 바랍니다.
- ! 직사광선에 오래 노출되면 색이 바래지거나 변질될 수 있습니다.
- ! 유모차가 젖었다면, 후드를 열어 완전히 말린 후 보관하시기 바랍니다.
- ! 바퀴에서 소리가 난다면, 가벼운 오일(실리콘 스프레이, 녹방지제 오일, 또는 미싱 오일)을 사용하여 바퀴 축과 바퀴 조립부분에 도포해주시기 바랍니다. ㉓
- ! 해변가에서 유모차를 사용할 때 사용 후 유모차의 기계 장치와 바퀴조립부분의 모래와 소금을 깨끗하게 제거해주시기 바랍니다.

## CH 謝謝您使用本產品

祝賀您加入巧兒宜大家庭! 您剛買了一臺符合台灣安全標準 CNS 12940-2013 和歐洲安全標準 EN 1888-1:2018 的高品質登機推車。這台手推車適用於重量 15 公斤以下的寶寶。台灣區域使用請依照 CNS 標準規範。

請仔細閱讀本說明書並依照指示操作, 這樣才能保障並提供您的寶寶一個安全又舒適的行車旅程。

重要 - 請保留好說明書以便日後參考。

如需要了解更多信息, 請您訪問 [joiebaby.com](http://joiebaby.com) 網站下載說明書或查看更多令人激動的 Joie 產品!

## 目錄

參照圖示	1-11
緊急情況處理	144
產品資訊	145
產品組件及各部件名稱	146
警告	147
產品組裝	149
打開手推車	149
組裝&拆卸前輪	149
組裝&拆卸後輪	149
組裝&拆卸扶手	149

產品操作	150
使用安全扣	150
使用肩帶和腰帶	150
調整背靠角度	151
調節小腿靠支撐板	151
前輪定向	151
使用剎車踏板	152
使用遮陽篷	152
使用肩帶護片和胯帶護片	152
調整車把	152
收合手推車	152
使用配件	153
使用汽車椅	153
使用雨篷	153
拆卸座布	154
保養常識	154

## 緊急情況處理

遇緊急事件或事故時, 需迅速急救或送醫治療照顧您的寶寶是非常重要的。

# 產品資訊

使用本產品前請先閱讀說明書全文，如果您對於使用本產品還有任何疑問，請與銷售商聯繫。因產品型號的不同，規格會有所不同。

## Allison Baby UK Ltd

Venture Point, Towers Business Park  
Rugeley, Staffordshire, WS15 1UZ

產品名稱 PACT輕便型推車

產品型號 S1601

最大體重 15公斤

適用嬰幼兒年齡 0-36個月

主要材質 塑膠、合金、布

淨重 6.02kg

產品尺寸 860x525x1060 mm

製造日期 詳見產品上貼紙日期(年/月/日)

產地 中國

委製商(台灣進口商) 巧兒宜國際股份有限公司

地址 台北市內湖區瑞光路431號2樓

電話 02-27973000

統一編號 52603333

台灣代理商 奇哥股份有限公司ChickabiddyCo.,Ltd

地址 台北市南京東路四段186號5樓

服務專線 0800-001-256/02-25781188

統一編號 04222671

網址 www.chick.com.tw

進口商(香港澳門地區) Baby C.E.O. (Hong Kong) Limited

地址 香港新界火炭坳背灣街14-24號金豪工業大廈1期3樓A-C室

查詢熱線 (+852) 2660 8883

電郵 info@babyceo.com.hk

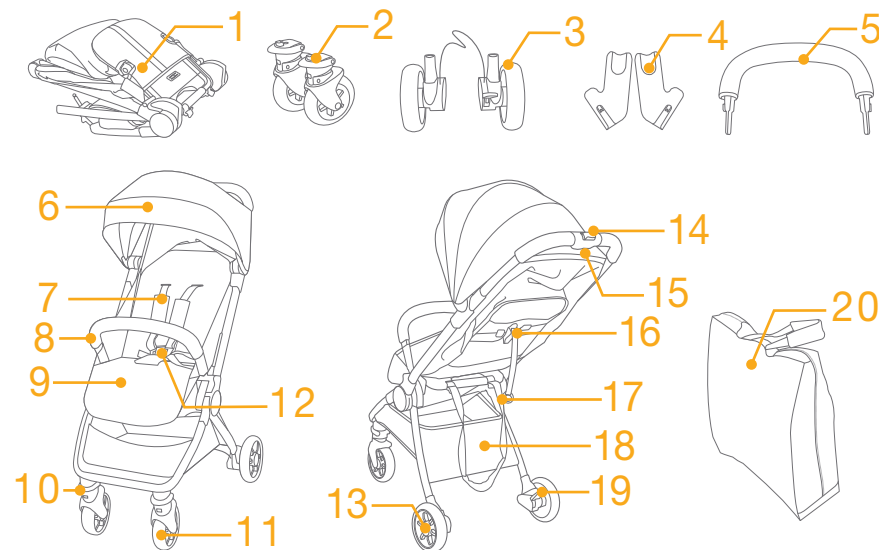
網址 www.babyceo.com.hk

使用本產品前請先閱讀說明書全文，如果您對於使用本產品還有任何疑問，請撥服務專線0800-001-256 / 02-25781188 / (+852) 2660 8883

# 產品組件及各部件名稱

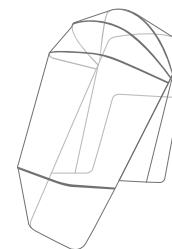
組裝前請確認所有部件已經齊全，如有遺漏，請與銷售商聯繫。本產品無需工具進行組裝。

- |        |             |          |
|--------|-------------|----------|
| 1 主體   | 8 扶手        | 15 單手按鈕  |
| 2 前輪   | 9 小腿靠       | 16 背靠調整組 |
| 3 後輪   | 10 前輪定向拉板   | 17 背帶    |
| 4 連接器  | 11 前輪       | 18 置物籃   |
| 5 扶手   | 12 三/五方向安全扣 | 19 剎車踏板  |
| 6 遮陽篷  | 13 後輪       | 20 置物袋   |
| 7 肩帶護片 | 14 第二道安全鎖   |          |



## 配件(可能不包含)

雨篷



因產品型號的不同，並非所有手推車均附以上配件。

# 警告

- ! 本產品須由成人進行組裝。
- ! 本手推車適合體重15公斤以下的寶寶使用，不符合使用條件的寶寶會對手推車造成損壞。
- ! 寶寶乘坐時應使用腰部及胯部的安全帶，並同時使用肩帶。
- ! 請勿擺放超過4.5公斤的物件於置物籃內，以免導致手推車不穩定而產生危險。
- ! 不得將寶寶單獨留置於手推車上無人看護。
- ! 不得同時乘坐二位及以上寶寶或附載其它的物品、附件於手推車上。
- ! 超載或不正確的折疊及使用非經核准的零附件都可能造成手推車損壞、故障或不安全，請務必閱讀說明書。
- ! 使用前請仔細閱讀本說明書並請妥善保存供以後參照。如果不按照本說明書可能會影響乘坐寶寶的安全。
- ! 寶寶乘坐時，安全帶或束縛系統必須正確的扣合及使用。
- ! 當調整手推車上之任何可活動配件時，必須確定寶寶與手推車保持安全距離。
- ! 使用時請扣好安全帶，以免寶寶滑入腿部開口外而造成窒息。
- ! 禁止在樓梯上使用手推車。
- ! 使用時請遠離火源、高溫、水池或電源之附近範圍。
- ! 不可讓寶寶站立或倒坐於手推車上。
- ! 不可將手推車放置於馬路、坡道或危險場所。
- ! 使用前，請確保所有鎖定裝置都已處於鎖定狀態。
- ! 請勿將任何繩索或索帶類物件懸掛於寶寶頸部附近，或扣在產品及玩具上，以免導致意外窒息。
- ! 請勿放置任何物品在車手、背靠後面或車台側面，以免影響手推車的穩定性。
- ! 寶寶乘坐於手推車內時，不可將整個手推車往上提。
- ! 請勿將寶寶放到置物籃內。
- ! 請不要讓寶寶攀爬手推車，以免翻覆。
- ! 為避免手指夾傷問題，收合及展開手推車時，請務必小心。
- ! 寶寶接近手推車前，請確認手推車已完全打開或收合。
- ! 使用前請確定各部件安裝牢固以確保安全。
- ! 保持寶寶遠離遮陽篷以免造成窒息。
- ! 停泊此手推車時務必確實使用所有之剎車裝置。
- ! 當發現手推車損壞時，應立即停止使用。
- ! 請勿使用其它廠商提供的零部件。
- ! 本產品不適用於跑步和滑冰，只適合以步行速度使用。
- ! 使用本產品前，請取掉PE袋和包裝材料並銷毀，並放到嬰兒和兒童觸摸不到的地方。
- ! 供新生兒使用時，應使用最斜躺位置。
- ! 請勿允許您的寶寶將本產品當玩具玩耍。
- ! 當放入和抱出寶寶時，應鎖定剎車裝置。
- ! 當結合汽車椅使用時，本產品不可代替睡床使用。若您的寶寶需要睡眠時，請讓寶寶睡在合適的睡床上。

## 產品組裝 (圖片請參閱說明書 1-11 頁)

組裝及使用手推車前，請先閱讀說明書全文，並按照說明書指示進行操作。

### 打開手推車

見圖 ① - ④

！ 使用手推車前務必確保車架已打開到位。

### 組裝& 拆卸前輪

見圖 ⑤ - ⑥

### 組裝& 拆卸後輪

見圖 ⑦ - ⑩

！ 按進彈簧片即可拔出後輪 ⑨

！ 置物籃末端包住剎車鐵線和後叉管，並扣合鈕扣 ⑩

### 組裝& 拆卸扶手

見圖 ⑪ - ⑬

手推車組裝完成後如 ⑭ 所示

## 產品操作

### 使用安全扣

見圖 ⑮ - ⑯

鬆開安全扣

按下母扣中央的按鈕，鬆開安全扣 ⑮

扣合安全扣

將肩帶扣插入腰帶扣 ⑯ - 1，再將他們插入母扣內 ⑯ - 2，聽到“咔嚓”聲表示扣合到位 ⑯ - 3

！ 為防止寶寶摔跌，寶寶乘坐時必須繫上安全帶。

！ 請牢牢地繫上安全帶，並注意寶寶與安全帶之間須可以放進一個手掌的厚度。

！ 請勿交叉肩帶，以免對寶寶頸部造成壓迫。

### 使用肩帶和腰帶

見圖 ⑰ - ⑳

！ 寶寶坐進手推車後，請確認肩帶孔高度和肩帶及腰帶的長度是否合適，以免寶寶於使用時意外跌出。

⑰ - 1 肩帶固定栓 A

⑰ - 2 肩帶固定栓 B

⑰ - 3 調整扣

較大的寶寶使用時，請使用肩帶固定栓 A 和最上方的肩帶孔；較小的寶寶使用時，請使用肩帶固定栓 B 和最下方的肩帶孔。

調整肩帶固定栓位置時，將背靠後方的肩帶固定栓放置水平、短邊朝前，

從肩帶孔穿出<sup>18</sup>，再從背靠前方將肩帶固定栓穿過最接近寶寶肩膀的肩帶孔<sup>19</sup>

將調整扣上下滑動，可調節肩帶長度<sup>20</sup> - 1。按壓按鈕<sup>20</sup> - 2，同時往外拉安全扣內側或外側的腰帶，可調節腰帶長度<sup>20</sup> - 3

## 調整背靠角度

見圖<sup>21</sup> - <sup>22</sup>

調低背靠角度

按壓背靠調整組中央的按鈕，同時將背靠往後拉<sup>21</sup>

調高背靠角度

將背靠調整組尾端的織帶往後拉，同時將背靠往前推<sup>22</sup>

！ 確保背靠角度調整到合適角度後，方可使用。

## 調節小腿靠支撐板

見圖<sup>23</sup>

依不同使用需求，小腿靠共有2個段位可供調節。

段位調高時，將小腿靠支撐板由下往上推即可。

段位調低時，按壓小腿靠兩側的調整按鈕<sup>23</sup> - 1，同時向下調節小腿靠支撐板<sup>23</sup> - 2

## 前輪定向

見圖<sup>24</sup>

向上提起拉板<sup>24</sup>，即可固定車輪前行方向。

**使用小秘訣** 當在碎石路面或不平路面推行時，建議鎖定前車輪，便能更輕鬆地操控手推車。

## 使用剎車踏板

見圖<sup>25</sup> - <sup>26</sup>

準備剎車時，踩下剎車踏板<sup>25</sup>

打開剎車時，將剎車踏板抬起<sup>26</sup>

**使用小秘訣** 手推車停止前進時，請踩下剎車踏板。

## 使用遮陽篷

見圖<sup>27</sup>

向前或向後拉遮陽篷，即可將遮陽篷打開或收攏<sup>27</sup>

## 使用肩帶護片和胯帶護片

肩帶護片或胯帶護片可從織帶上取下，反之即可組裝。

## 調整車把

見圖<sup>28</sup>

！ 依不同使用需求，車把共有2個段位可供調節。

## 收合手推車

見圖<sup>29</sup> - <sup>36</sup>

！ 收合手推車前，請先收攏遮陽篷。

推開第二道安全鎖<sup>29</sup> - 1，然後持續按壓單手按鈕<sup>29</sup> - 2，稍微提起車把並將推車向前壓即可收合。

！ 使用置物袋方便運輸或儲存<sup>36</sup>

## 使用配件

因產品型號的不同，規格會有所不同。並非所有手推車均附以下配件。

### 使用汽車椅

見圖 37 - 43

當與 Joie 嬰兒提籃 i-Level, i-Snug, gemm 配合使用時，請參考以下警告：

- ! 卡合汽車椅時，請將扶手移除並妥善保管。
- ! 請將手推車背靠調至最平躺段位。
- ! 關於使用汽車椅有任何問題，請參考說明書。
- ! 請勿收合已安裝汽車椅的手推車。

### 使用雨篷

見圖 44 - 45

將雨篷套到車架上，再粘合雨篷側面的粘扣帶和扣合雨篷下方的紐扣。

- ! 使用雨篷時，請確認汽車椅已正確固定和手推車背靠已調至最低檔 45
- ! 雨篷套到手推車或手推車配合汽車椅使用時，可根據需要粘合雨篷兩側兩排或四排的粘扣帶。
- ! 使用雨篷時，請隨時注意並確認雨篷內有良好的通風。
- ! 不使用雨篷時，請先確認雨篷已清潔並干燥，再收納。
- ! 請勿收合已罩上雨篷的手推車。
- ! 天氣炎熱時，請勿將幼童放在裝有雨篷的手推車內。

## 拆卸座布

見圖 46 - 57

1. 參考 46 - 57 可拆卸座布。
  - ! 遮陽篷鐵線移除後，請妥善保管。組裝遮陽篷時，必須組裝鐵線。
2. 依反向操作即可組裝座布。

## 保養常識

見圖 58

- ! 清洗座布時，請使用溫水清洗，請勿漂白。具體請參考手推車上洗滌標版內容。
- ! 清洗車架：僅能使用中性清潔劑及溫水洗滌，請勿使用漂白劑。清洗後用吸水的布擦幹防止生鏽。
- ! 隨時檢查您的手推車，並隨時更換或修理鬆弛磨損的零件、脫落的材料或車縫線。
- ! 過度曝曬於陽光下，可導致手推車老化或變形。
- ! 手推車潮濕時，請打開手推車及遮陽篷，待干燥後再收合起來。
- ! 如果輪子發出“吱吱”聲，可加油(WD-40，防鏽油或縫紉機油)潤滑。請將潤滑油點入輪軸及軸孔 58 之間，此步驟為重要的保養須知。
- ! 在海邊使用手推車時，務必於使用過後清除沙粒，以做好完善的清洗。

## ZH 感谢您使用本产品

祝贺您加入巧儿宜大家庭! 您刚买了一台符合执行标准GB 14748-2006和EN 1888-1:2018的高品质的轻便型手推车。这台手推车适用于重量15 公斤以下的宝宝。中国区域使用请依照GB 标准规范。

请仔细阅读本说明书并依照指示操作, 这样才能保障并提供您的宝宝一个安全又舒适的行车旅程。

**重要 - 请保留好说明书以便日后参考。**

如需要了解更多信息, 请您访问joiebaby.com 网站下载说明书或查看更多令人激动的Joie 产品!

## 目录

参照图示	1-11
紧急情况处理	156
产品资讯	157
产品组件及各部件名称	158
警告	159
产品组装	161
打开手推车	161
组装&拆卸前轮	161
组装&拆卸后轮	161
组装&拆卸扶手	161

产品操作	162
使用安全扣	162
使用肩带和腰带	162
调整背靠角度	163
调节小腿靠支撑板	163
前轮定向	163
使用刹车踏板	164
使用遮阳篷	164
使用肩带护片和胯带护片	164
调整车把	164
收合手推车	164
使用配件	165
使用汽车椅	165
使用雨篷	165
拆卸座布	166
保养常识	166

## 紧急情况处理

遇紧急事件或事故时, 需迅速急救或送医治疗照顾您的宝宝是非常重要的。

# 产品资讯

使用本产品前请先阅读说明书全文, 如果您对于使用本产品还有任何疑问, 请与销售商联系。因产品型号的不同, 规格会有所不同。

## Allison Baby UK Ltd

Venture Point, Towers Business Park,  
Rugeley, Staffordshire, WS15 1UZ  
www.joiebaby.com  
www.joiebaby.com.cn

**产品名称:** 轻便型手推车  
**产品型号:** S1601AACNB170、S1601AANBZ170  
**适用范围:** 新生儿-15公斤(0-36个月)的宝宝  
**主要材质:** 塑胶、五金、布  
**执行标准:** GB 14748-2006《儿童推车安全要求》

**生产企业:** 宝钜(中国)儿童用品有限公司  
(受委托企业)  
**地址:** 广东省东莞市清溪镇银河工业区

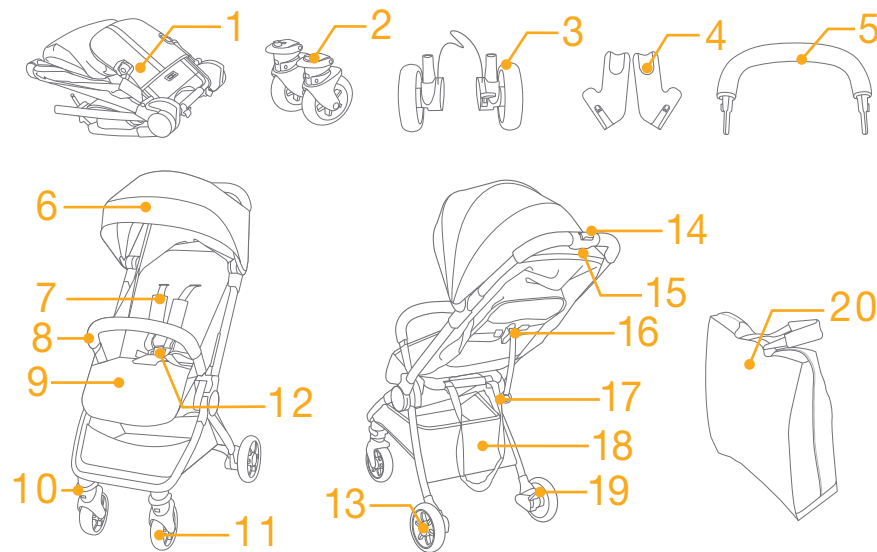
**销售商:** 巧儿宜(中国)有限公司  
(委托企业)  
**地址:** 上海市黄浦区徐家汇路610号日月光中心  
办公楼16层01室  
**电话:** 86-21-53087551  
**传真:** 86-21-53087552

使用本产品前请先阅读说明书全文, 如果您对使用本产品还有任何疑问, 请拨打服务热线86-21-53087553

# 产品组件及各部件名称

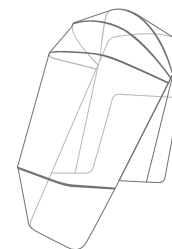
组装前请确认所有部件已经齐全, 如有遗漏, 请与销售商联系。本产品无需工具进行组装。

- |        |             |          |
|--------|-------------|----------|
| 1 主体   | 8 扶手        | 15 单手按钮  |
| 2 前轮   | 9 小腿靠       | 16 背靠调整组 |
| 3 后轮   | 10 前轮定向拉板   | 17 背带    |
| 4 连接器  | 11 前轮       | 18 置物篮   |
| 5 扶手   | 12 三/五方向安全扣 | 19 刹车踏板  |
| 6 遮阳篷  | 13 后轮       | 20 置物袋   |
| 7 肩带护片 | 14 第二道安全锁   |          |



## 配件(可能不包含)

雨篷



因产品型号的不同, 并非所有手推车均附以上配件。

## 警告

- ! 警告: 总是使用束缚系统, 安全带或束缚系统必须正确的扣合及使用。
- ! 警告: 使用前, 请确保所有锁定装置都已处于锁定状态。
- ! 警告: 请勿允许您的宝宝将本产品当玩具玩耍。
- ! 警告: 使用前, 请确保手推车或汽车椅所有锁定装置都已正确锁定。
- ! 本产品须由成人进行组装。
- ! 本手推车适合体重15公斤以下的宝宝使用, 不符合使用条件的宝宝会对手推车造成损坏。
- ! 请勿摆放超过4.5公斤的物件于置物篮内, 以免导致手推车不稳定而产生危险。
- ! 不要留下小孩无人照看。当孩子在手推车里时总是把孩子记在心里。
- ! 不得同时乘坐二位及以上宝宝或附载其它的钱包、购物袋、包裹附件于车把或遮阳篷上。
- ! 请勿使用非制造商提供的附件。只可使用制造商推荐或提供的部分。
- ! 请仔细阅读说明书, 请勿使用其它厂商提供的零部件。
- ! 使用前请仔细阅读本说明书并请妥善保存供以后参照。如果不按照本说明书可能会导致宝宝的重伤或死亡。
- ! 避免宝宝跌落或滑落受到伤害, 总是使用安全带。
- ! 当调整手推车上之任何可活动配件时, 必须确定宝宝与手推车保持安全距离。
- ! 宝宝接近手推车前, 请确认手推车已完全打开或收合。
- ! 使用时请扣好安全带, 以免宝宝滑入腿部开口外而造成窒息。
- ! 禁止在楼梯或电梯上使用手推车。
- ! 使用时请远离火源、高温、水池或电源之附近范围。
- ! 请勿让宝宝站立或倒坐于手推车上。
- ! 请勿将手推车放置于马路、坡道或危险场所。
- ! 请勿将任何绳索或索带类物件悬挂于宝宝颈部附近, 或扣在产品上, 以免导致意外窒息。
- ! 请勿放置任何物品在车把、背靠后面或车台侧面, 以免影响手推车的稳定性。
- ! 宝宝乘坐于手推车内时, 不可将整个手推车往上提。
- ! 请勿将宝宝放到置物篮内。
- ! 请不要让宝宝攀爬手推车, 以免翻覆。
- ! 为避免手指夹伤问题, 收合及展开手推车时, 请务必小心。
- ! 使用前请确定各部件安装牢固以确保安全。
- ! 保持宝宝远离遮阳篷或雨篷以免造成窒息。
- ! 停泊此手推车时务必确实使用所有之刹车装置。
- ! 当发现手推车损坏时, 应立即停止使用。
- ! 本产品只适合以步行速度使用。
- ! 本产品不适用于跑步和滑冰。
- ! 使用本产品前, 请取掉PE袋和包装材料并销毁, 并放到婴儿和儿童触摸不到的地方。
- ! 移动本产品时, 轻放轻移, 切忌硬拖猛推, 以免造成产品结构等松动或断裂。
- ! 6个月以下婴儿使用时, 请使用最斜躺位置。
- ! 当放入和抱出宝宝时, 应锁定刹车装置。
- ! 当结合汽车椅使用时, 本产品不可代替睡床使用。若您的宝宝需要睡眠时, 请让宝宝睡在合适的睡床上。

# 产品组装 (图片请参阅说明书 1-11 页)

组装及使用手推车前, 请先阅读说明书全文, 并按照说明书指示进行操作。

## 打开手推车

见图 ① - ④

! 使用手推车前务必确保车架已打开到位。

## 组装& 拆卸前轮

见图 ⑤ - ⑥

## 组装& 拆卸后轮

见图 ⑦ - ⑩

! 按进弹簧片即可拔出后轮 ⑨

! 置物篮末端包住刹车铁线和后叉管, 并扣合钮扣 ⑩

## 组装& 拆卸扶手

见图 ⑪ - ⑬

手推车组装完成后如 ⑭ 所示

# 产品操作

## 使用安全扣

见图 ⑮ - ⑯

松开安全扣

按下母扣中央的按钮, 松开安全扣 ⑮

扣合安全扣

将肩带扣插入腰带扣 ⑯ - 1, 再将他们插入母扣内 ⑯ - 2, 听到“咔哒”声表示扣合到位 ⑯ - 3

! 为防止宝宝摔跤, 宝宝乘坐时必须系上安全带。

! 请牢牢地系上安全带, 并注意宝宝与安全带之间须可以放进一个手掌的厚度。

! 请勿交叉肩带, 以免对宝宝颈部造成压迫。

## 使用肩带和腰带

见图 ⑰ - ⑳

! 宝宝坐进手推车后, 请确认肩带孔高度和肩带及腰带的长度是否合适, 以免宝宝于使用时意外跌出。

⑰ - 1 肩带固定栓 A

⑰ - 2 肩带固定栓 B

⑰ - 3 调整扣

较大的宝宝使用时, 请使用肩带固定栓 A 和最上方的肩带孔; 较小的宝宝使用时, 请使用肩带固定栓 B 和最下方的肩带孔。

调整肩带固定栓位置时，将背靠后方的肩带固定栓放置水平、短边朝前，

从肩带孔穿出<sup>18</sup>，再从背靠前方将肩带固定栓穿过最接近宝宝肩膀的肩带孔<sup>19</sup>

将调整扣上下滑动，可调节肩带长度<sup>20</sup> - 1。按压按钮<sup>20</sup> - 2，同时往外拉安全扣内侧或外侧的腰带，可调节腰带长度<sup>20</sup> - 3

## 调整背靠角度

见图<sup>21</sup> - <sup>22</sup>

调低背靠角度

按压背靠调整组中央的按钮，同时将背靠往后拉<sup>21</sup>

调高背靠角度

将背靠调整组尾端的织带往后拉，同时将背靠往前推<sup>22</sup>

！ 确保背靠角度调整到合适角度后，方可使用。

## 调节小腿靠支撑板

见图<sup>23</sup>

依不同使用需求，小腿靠共有2个段位可供调节。

段位调高时，将小腿靠支撑板由下往上推即可。

段位调低时，按压小腿靠两侧的调整按钮<sup>23</sup> - 1，同时向下调节小腿靠支撑板<sup>23</sup> - 2

## 前轮定向

见图<sup>24</sup>

向上提起拉板<sup>24</sup>，即可固定车轮前行方向。

**使用小秘诀** 当在碎石路面或不平路面推行时，建议锁定前车轮，便能更轻松地操控手推车。

## 使用刹车踏板

见图<sup>25</sup> - <sup>26</sup>

准备刹车时，踩下刹车踏板<sup>25</sup>

打开刹车时，将刹车踏板抬起<sup>26</sup>

**使用小秘诀** 手推车停止前进时，请踩下刹车踏板。

## 使用遮阳篷

见图<sup>27</sup>

向前或向后拉遮阳篷，即可将遮阳篷打开或收拢<sup>27</sup>

## 使用肩带护片和胯带护片

肩带护片或胯带护片可从织带上取下，反之即可组装。

## 调整车把

见图<sup>28</sup>

！ 依不同使用需求，车把共有2个段位可供调节。

## 收合手推车

见图<sup>29</sup> - <sup>36</sup>

！ 收合手推车前，请先收拢遮阳篷。

推开第二道安全锁<sup>29</sup> - 1，然后持续按压单手按钮<sup>29</sup> - 2，稍微提起车把并将推车向前压即可收合。

！ 使用置物袋方便运输或储存<sup>36</sup>

# 使用配件

因产品型号的不同，规格会有所不同。并非所有手推车均附以下配件。

## 使用汽车椅

见图 37 - 43

当与 Joie 婴儿提篮 i-Level, i-Snug, gemm 或 i-Gemm 配合使用时，请参考以下警告：

- ! 卡合汽车椅时，请将扶手移除并妥善保管。
- ! 请将手推车背靠调至最平躺段位。
- ! 关于使用汽车椅有任何问题，请参考说明书。
- ! 请勿收合已安装汽车椅的手推车。

## 使用雨篷

见图 44 - 45

将雨篷套到车架上，再粘合雨篷侧面的粘扣带和扣合雨篷下方的纽扣。

- ! 使用雨篷时，请确认汽车椅已正确固定和手推车背靠已调至最低档 45
- ! 雨篷套到手推车或手推车配合汽车椅使用时，可根据需要粘合雨篷两侧两排或四排的粘扣带。
- ! 使用雨篷时，请随时注意并确认雨篷内有良好的通风。
- ! 不使用雨篷时，请先确认雨篷已清洁并干燥，再收纳。
- ! 请勿收合已罩上雨篷的手推车。
- ! 天气炎热时，请勿将幼童放在装有雨篷的手推车内。

# 拆卸座布

见图 46 - 57

1. 参考 46 - 57 可拆卸座布。
  - ! 遮阳篷铁线移除后，请妥善保管。组装遮阳篷时，必须组装铁线。
2. 依反向操作即可组装座布。

# 保养常识

见图 58

- ! 清洗座布时，请使用温水清洗，请勿漂白。具体请参考手推车上洗涤标版内容。
- ! 清洗车架：仅能使用中性清洁剂及温水洗涤，请勿使用漂白剂。清洗后用吸水的布擦干防止生锈。
- ! 随时检查您的手推车，并随时更换或修理松弛磨损的零件、脱落的材料或车缝线。
- ! 过度曝晒于阳光下，可导致手推车老化或变形。
- ! 手推车潮湿时，请打开手推车及遮阳篷，待干燥后再收合起来。
- ! 如果轮子发出“吱吱”声，可加油 (WD-40, 防锈油或缝纫机油) 润滑。请将润滑油点入轮轴及轴孔 58 之间，此步骤为重要的保养须知。
- ! 在海边使用手推车时，务必于使用过后清除沙粒，以做好完善的清洗。

## 产品服务卡

客户姓名：\_\_\_\_\_

联系电话：\_\_\_\_\_

联系地址：\_\_\_\_\_

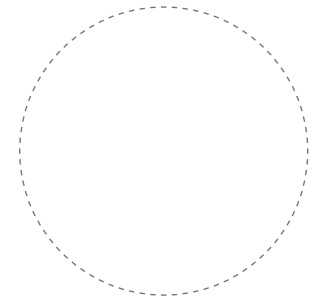
产品型号：\_\_\_\_\_

购买日期：\_\_\_\_\_/\_\_\_\_\_/\_\_\_\_\_

购买地点：\_\_\_\_\_

发票号码：\_\_\_\_\_

备 注：\_\_\_\_\_



### 小叮咛

- 本卡仅为购买日期及地点证明之用，相关产品服务内容，请咨询销售商。
- 请妥善保留本服务卡，商品需维修时，请务必出示本卡。（未盖店章其服务卡无效）
- 如有疑问，欢迎来电洽询服务人员，我们将竭诚为您服务！

巧儿宜(中国)有限公司 86-21-53087553 [www.joiebaby.com.cn](http://www.joiebaby.com.cn)  
上海市黄浦区徐家汇路610号日月光中心办公楼16层01室

● 顾客留存联

## 产品服务卡

客户姓名：\_\_\_\_\_

联系电话：\_\_\_\_\_

联系地址：\_\_\_\_\_

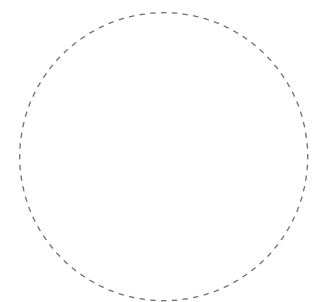
产品型号：\_\_\_\_\_

购买日期：\_\_\_\_\_/\_\_\_\_\_/\_\_\_\_\_

购买地点：\_\_\_\_\_

发票号码：\_\_\_\_\_

备 注：\_\_\_\_\_



● 商店留存联







Allison Baby UK Ltd,  
Venture Point, Towers Business Park  
Rugeley, Staffordshire, WS15 1UZ

bring the kids™

Share the joy at [joiebaby.com](http://joiebaby.com)

P-IM0325J